

MODELS CSF & LSF

BELT DRIVE CENTRIFUGAL FILTERED SUPPLY FANS



Model CSF
Hooded Design



Model LSF
Louvered Penthouse Design

MODEL FEATURES

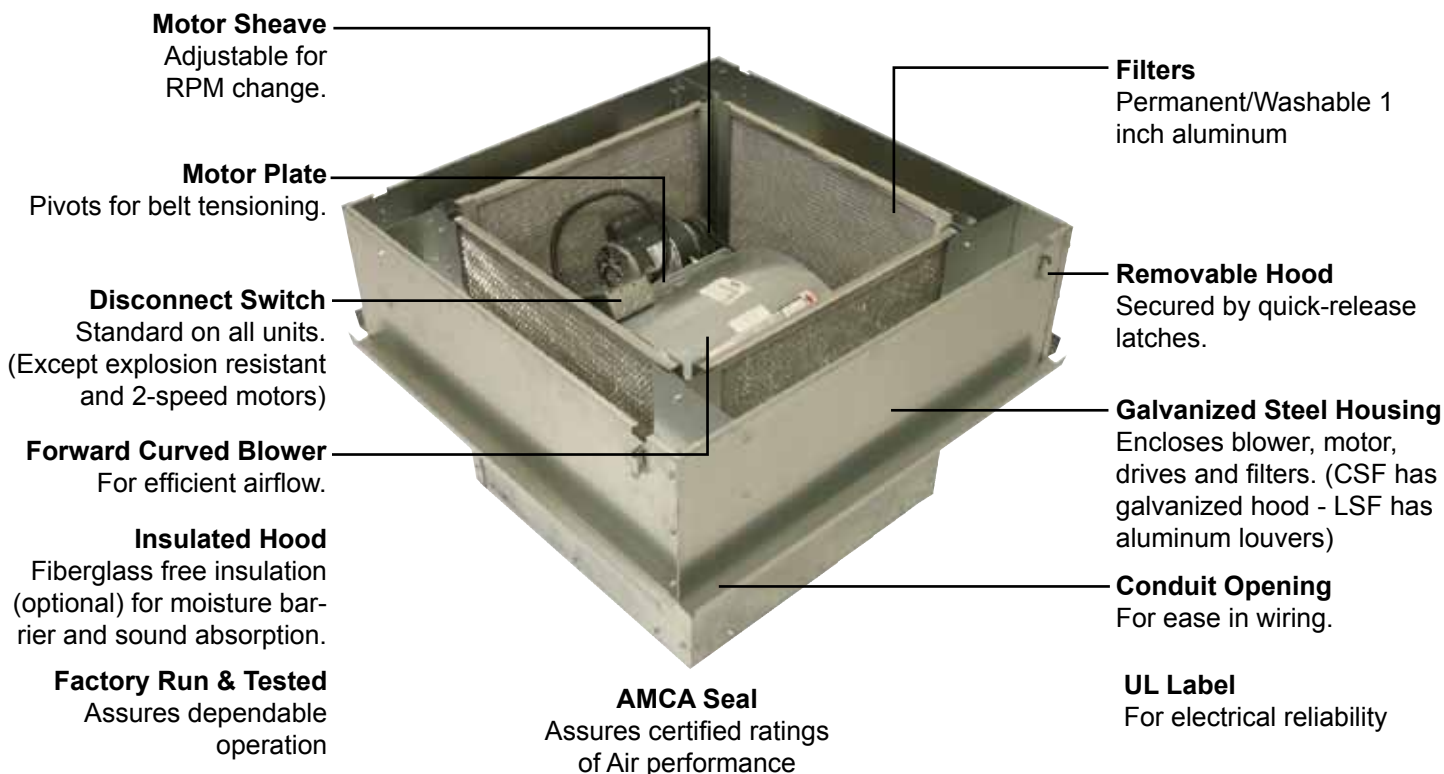
- Supply air to over 13,000 CFM in static pressure capabilities to 2"
- Heavy-galvanized construction
- Belt drives permit easy performance adjustments when needed
- Forward curved centrifugal blower for efficient air flow at low sound levels
- Filters are washable and reusable
- AMCA Air and Sound Licensed
- cULus 705 Listed

MODEL OVERVIEW

Models CSF and LSF units are roof mounted, filtered supply fans rated from 375 to over 13,000 CFM, with static pressure capabilities to 2". Model CSF's rugged, heavy-gauge galvanized hood and stack provide maximum weather protection and long life. Model LSF's architecturally pleasing, heavy-gauge aluminum louver design provides long life and the utmost in performance efficiency. All models are belt driven for easier performance adjustment and quieter operation. Adjustable motor pulleys further simplify fan speed changes.

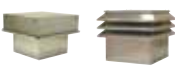
JencoFan's Centrifugal Filtered Supply Fans are used to replace exhausted fumes, vapors and gases with fresh, filtered make-up air in commercial kitchen applications.

CONSTRUCTION FEATURES AND OPTIONS



Industry best 5 year fan housing warranty, 1 year motor warranty

All specifications are subject to change without notice unless approved in submittal by JencoFan.



CONSTRUCTION/SPECIFICATION CHECKLIST

Blower/Housing

- Statically and dynamically balanced forward curved wheel.
- 12-gauge galvanized steel blower plate/discharge opening.
- Heavy-gauge galvanized steel housing.
- Prepunched mounting holes.
- Conduit opening for wiring from below unit.

Hooded/Louvered Top

- Heavy-gauge aluminum louvered design. (LSF)
- Heavy-gauge galvanized steel hood. (CSF)
- Quick-release latches for removal from housing.
- Insulated for sound absorption and moisture barrier.
- Oversized for weather protection.
- 1" washable aluminum mesh filters.
- Mitered cut and welded corners. (LSF)

Drives

- Adjustable motor pulleys are standard.
- Sized for minimum 150% of drive horsepower.
- Pivoting motor plate for belt tensioning.
- Non-static oil resistant V-belts.

Bearings

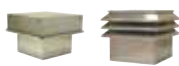
- Five year warranty.
- Heavy-duty ball bearing type.
- Prelubricated and permanently sealed.

Motors

- One year warranty.
- Brands are nationally recognized and locally serviced.
- Open drip-proof construction is standard.
- Disconnect switch standard with single speed drip-proof and totally enclosed motors.
- Optional motor enclosures and types can be specified.

Certifications

- AMCA Air Licensed.
- cULus Standard 705 Listed Power Roof Ventilator label assures electrical reliability.
- cULus label must be specified when needed.



OPTIONS/ACCESSORIES

Roof Curb: Prefabricated heavy-gauge galvanized steel, welded construction, 12" high with 1-1/2" wood nailer. Options include burglar bars, single and double pitch construction, and additional curb heights.



Motor Operated Damper: Motor operated aluminum damper for positive closure against backdraft (counter balanced).



Automatic Damper: Automatic aluminum damper for ease in installation and effective backdraft protection (counter balanced).

Duct Adaptor: For ease in connecting discharge duct to fan outlet.

Side Discharge: For convenient connection to a supply duct when mounted on roof where the inside ceiling height is limited (CSF). Not available on CSF9.

Special Coatings: Available coatings include: Synthetic Resin, Epoxy, and Heresite (air-dried phenolic). Contact your representative or the factory for more information on available coatings and colors.



AIR PERFORMANCE

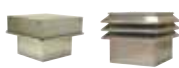
MODEL	HP	CFM	OV	RPM / BHP @ Static Pressure										HP										
				1/8	1/4	3/8	1/2	5/8	3/4	1	1-1/4	1-1/2	2											
9	1/4	375	458	389	0.02																			
		475	580	394	0.02																			
		575	702	406	0.03	552	0.05																	
		675	825	425	0.04	558	0.06	675	0.09															
		775	947	450	0.05	569	0.08	680	0.11															
		875	1069	475	0.07	585	0.09	688	0.13	784	0.16													
		975	1191	502	0.09	606	0.12	700	0.15	791	0.18	876	0.23									1/4		
		1075	1313	533	0.11	630	0.14	717	0.17	801	0.21	883	0.25	960	0.30							1/3		
		1175	1435	567	0.13	656	0.17	738	0.21	816	0.24	893	0.29	967	0.33	1105	0.43					1/2		
		1275	1558	603	0.17	682	0.20	762	0.24	835	0.28	906	0.33	976	0.37	1110	0.47	1234	0.59	1347	0.71			
	1375	1680	640	0.20	708	0.24	787	0.28	856	0.33	923	0.37	989	0.42	1118	0.52	1239	0.64	1351	0.76	3/4			
	1475	1802	678	0.25	739	0.28	813	0.33	880	0.37	944	0.42	1005	0.47	1128	0.57	1245	0.69	1355	0.82	1553	1.02		
	1/3	1575	1924	716	0.30	772	0.33	838	0.38	906	0.43	966	0.48	1025	0.53	1141	0.63	1253	0.75	1361	0.88	1556	1.09	1
	1/2	1675	2046	755	0.35	807	0.39	865	0.44	932	0.49	991	0.54	1047	0.59	1156	0.70	1264	0.82	1368	0.95			
		1775	2168	794	0.42	842	0.45	895	0.50	957	0.56	1016	0.61	1070	0.66	1175	0.78	1277	0.90	1378	1.03			
		1875	2290	833	0.48	879	0.52	927	0.57	982	0.63	1042	0.69	1095	0.74	1195	0.86	1293	0.98					
		3/4	1975	2413	872	0.56	917	0.60	961	0.65	1010	0.71	1067	0.77	1121	0.83	1218	0.95	1311	1.07				
			2075	2535	911	0.64	955	0.69	996	0.74	1041	0.79	1093	0.86	1147	0.92	1242	1.05						
	1	2175	2657	951	0.74	993	0.79	1032	0.83	1074	0.89	1120	0.95	1172	1.02									
		2275	2779	990	0.84	1031	0.89	1069	0.94	1108	0.99	1150	1.06											
2375		2901	1030	0.94	1070	1.01	1106	1.06																
10	1/4	700	674	384	0.04																			
		825	795	403	0.05	531	0.08																	
		950	915	424	0.06	539	0.09	649	0.14															
		1075	1035	446	0.08	555	0.12	654	0.16	749	0.20												1/4	
		1200	1156	471	0.10	575	0.14	664	0.18	753	0.23	838	0.29										1/3	
		1325	1276	496	0.12	596	0.17	681	0.21	761	0.26	841	0.32	918	0.38								1/2	
		1450	1397	522	0.15	618	0.20	701	0.25	774	0.30	848	0.36	921	0.42									
		1575	1517	552	0.19	642	0.24	722	0.29	793	0.35	860	0.40	928	0.46	1060	0.60							
		1700	1638	584	0.23	667	0.28	744	0.34	814	0.40	877	0.46	939	0.52	1065	0.66						3/4	
		1/3	1825	1758	617	0.28	692	0.33	766	0.40	835	0.46	897	0.52	955	0.58	1072	0.72	1187	0.87				
	1950		1879	651	0.33	717	0.39	790	0.45	856	0.52	918	0.58	975	0.65	1083	0.79	1193	0.95				1	
	1/2		2075	1999	685	0.39	744	0.45	815	0.52	879	0.59	939	0.66	996	0.73	1099	0.87	1201	1.03	1303	1.20		
		2200	2119	720	0.46	774	0.52	841	0.59	902	0.67	961	0.74	1071	0.81	1117	0.96	1213	1.12	1311	1.29	1499	1.68	1-1/2
	3/4	2325	2240	755	0.54	806	0.60	866	0.67	927	0.75	983	0.83	1038	0.91	1138	1.06	1229	1.22	1320	1.39	1502	1.78	
		2450	2360	790	0.63	838	0.68	892	0.75	952	0.84	1007	0.92	1060	1.01	1159	1.17	1248	1.33	1333	1.5	1508	1.90	2
		2575	2481	825	0.72	872	0.78	919	0.85	978	0.94	1032	1.03	1082	1.12	1180	1.29	1268	1.46	1350	1.63			
	1	2700	2601	860	0.82	905	0.89	949	0.96	1003	1.04	1057	1.14	1106	1.23	1201	1.41	1289	1.59					
		2825	2722	895	0.94	939	1.00	981	1.07	1029	1.16	1082	1.26	1131	1.35									
	1-1/2	2950	2842	931	1.06	974	1.13	1013	1.20	1056	1.28	1107	1.38	1156	1.49									
		3075	2962	966	1.19	1008	1.27	1046	1.34	1085	1.42	1132	1.52											
3200		3081	1002	1.34	1043	1.42	1080	1.49																

Performance shown is for installation type B - free inlet, ducted outlet. Power rating (BHP) does not include drive losses. Performance ratings do not include the effects of appurtenances in the airstream.



JencoFan, Div. of Soler & Palau Ventilation Group, certifies that the Models CSF & LSF shown herein are licensed to bear the AMCA Seal. The ratings shown are based on test and procedures performed in accordance with AMCA Publication 211 and AMCA Publication 311 and comply with the requirement of the AMCA Certified Ratings Program.





AIR PERFORMANCE

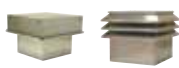
MODEL	HP	CFM	OV	RPM / BHP @ Static Pressure										HP									
				1/8	1/4	3/8	1/2	5/8	3/4	1	1-1/4	1-1/2	2										
18	1/3	2950	1041	314	0.22	376	0.30											1/3					
		3300	1165	336	0.29	394	0.37											1/2					
	1/2	3650	1289	360	0.37	414	0.46	463	0.56									3/4					
		4000	1412	384	0.47	434	0.56	481	0.67	524	0.78	564	0.89										
	3/4	4350	1536	409	0.58	455	0.69	500	0.80	541	0.92	580	1.04					1					
		4700	1660	435	0.71	478	0.82	520	0.95	560	1.07	597	1.20	632	1.33	699	1.59	1-1/2					
	1	5050	1783	461	0.87	501	0.99	541	1.11	579	1.25	615	1.38	649	1.52	713	1.80	2					
		5400	1907	487	1.04	526	1.17	562	1.30	599	1.44	633	1.59	667	1.73	729	2.03	3					
	1-1/2	5750	2030	514	1.24	550	1.37	585	1.51	619	1.66	653	1.81	685	1.97	745	2.28	802	2.59	855	2.92	954	3.59
		6100	2154	541	1.47	575	1.60	608	1.75	641	1.90	673	2.06	704	2.23	763	2.55	818	2.89	870	3.22	967	3.92
	2	6450	2278	568	1.71	601	1.86	632	2.01	663	2.17	694	2.33	724	2.51	781	2.86	834	3.20	885	3.56	980	4.29
		6800	2401	595	1.99	626	2.15	657	2.31	686	2.47	715	2.64	744	2.82	800	3.18	852	3.55	901	3.92	994	4.67
	7-1/2	7150	2525	622	2.03	652	2.46	681	2.63	710	2.79	737	2.97	765	3.15	819	3.54	870	3.92	918	4.31		
		7500	2648	650	2.64	679	2.81	707	2.98	734	3.15	760	3.33	787	3.52	839	3.92	888	4.33				
	3	7850	2772	678	3.01	705	3.18	732	3.36	758	3.55	784	3.73	809	3.92	859	4.33						
		8200	2895	705	3.41	732	3.60	758	3.78	783	3.97	808	4.17	832	4.36								
	5	8550	3019	733	3.85	759	4.04	784	4.24	808	4.43												
		8900	3143	761	4.32	786	4.52	810	4.73	833	4.93												
7-1/2	9250	3266	789	4.84	813	5.05	836	5.26	859	5.47													
	9600	3390	817	5.39	840	5.61	863	5.83															
18	9950	3513	845	5.98	867	6.21																	
	2800	725	212	0.12	280	0.20																	
1/3	3340	865	230	0.18	287	0.26	342	0.35														1/3	
	3880	1005	248	0.25	298	0.33	349	0.43	395	0.54												1/2	
1/2	4420	1145	266	0.34	315	0.44	357	0.53	402	0.65	443	0.77										3/4	
	4960	1285	285	0.45	334	0.57	371	0.67	409	0.78	450	0.92	486	1.05								1	
3/4	5500	1425	305	0.59	351	0.72	389	0.84	421	0.95	457	1.08	493	1.23	559	1.52						1-1/2	
	6040	1565	326	0.75	369	0.90	407	1.04	438	1.16	468	1.28	501	1.42	566	1.75						2	
1	6580	1705	347	0.94	387	1.10	425	1.26	457	1.40	484	1.53	512	1.66	572	1.99	630	2.35				3	
	7120	1845	369	1.16	407	1.33	443	1.51	475	1.68	502	1.82	528	1.96	581	2.27	637	2.65					
1-1/2	7660	1984	391	1.42	427	1.60	461	1.79	493	1.98	521	2.15	546	2.30	593	2.60	644	2.97	696	3.39	789	4.21	
	8200	2124	414	1.71	447	1.91	479	2.10	510	2.31	539	2.50	564	2.68	609	3.00	654	3.35	703	3.76	795	4.65	
2	8740	2264	437	2.04	468	2.25	499	2.46	528	2.67	556	2.89	583	3.10	626	3.45	668	3.79	712	4.19	803	5.12	
	9280	2404	460	2.41	490	2.64	519	2.86	547	3.08	574	3.31	600	3.54	645	3.94	684	4.30	723	4.67	809	5.61	
3	9820	2544	484	2.83	512	3.07	539	3.31	566	3.54	592	3.78	618	4.02	664	4.49	702	4.87	739	5.25	817	6.16	
	10360	2684	508	3.29	534	3.55	560	3.80	586	4.04	611	4.29	636	4.55	681	5.05	720	5.49	756	5.89	827	6.76	
5	10900	2824	531	3.80	556	4.08	581	4.34	606	4.60	630	4.86	654	5.13	699	5.66	739	6.17	774	6.59	840	7.45	
	11440	2964	555	4.37	579	4.66	603	4.94	626	5.21	650	5.48	672	5.75	716	6.32	757	6.87	792	7.35			
7-1/2	11980	3103	579	4.98	602	5.29	625	5.59	647	5.87	670	6.16	691	6.44	734	7.03							
	12520	3244	604	5.66	625	5.98	647	6.29	668	6.60	690	6.89	711	7.19									
18	13060	3383	628	6.39	648	6.73	669	7.06	690	7.38													
	13600	3523	652	7.19	672	7.54																	

Performance shown is for installation type B - free inlet, ducted outlet. Power rating (BHP) does not include drive losses. Performance ratings do not include the effects of appurtenances in the airstream.

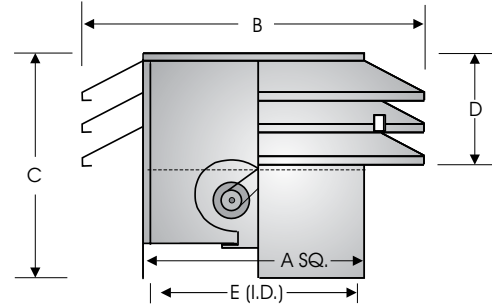
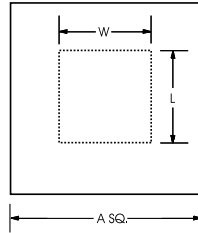
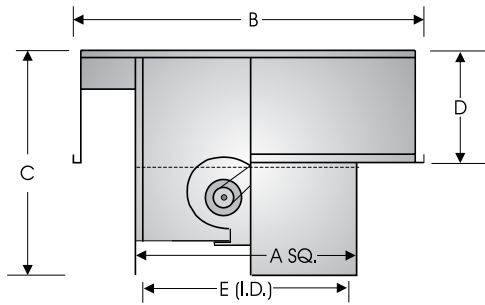


JencoFan, Div. of Soler & Palau Ventilation Group, certifies that the Models CSF & LSF shown herein are licensed to bear the AMCA Seal. The ratings shown are based on test and procedures performed in accordance with AMCA Publication 211 and AMCA Publication 311 and comply with the requirement of the AMCA Certified Ratings Program.





DIMENSIONS



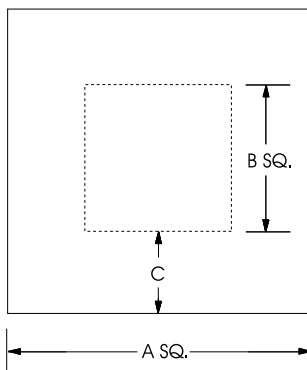
CSF

Discharge Opening

LSF

Model Size	A Housing OD	B Overall Width	C Overall Height	D Intake Height	Roof Opening	E Curb Cap ID	Damper OD	Discharge Opening	Filter Size/No.	No. Tiers	Avg. Ship Weight (lbs.)
CSF-9	24 -1/2	33-1/2	26-1/2	10-1/2	19-1/2	24 X 24	16	12 X 10-1/2	16 X 20 X 1 (4)	N/A	265
CSF-10	28-1/2	38-1/2	28-1/4	12-1/2	23-1/2	28 X 28	20	13-1/4 X 11-5/8	16 X 25 X 1 (4)	N/A	290
CSF-12	28-1/2	38-1/2	28-1/4	12-1/2	23-1/2	28 X 28	20	15-7/8 X 13-5/8	16 X 25 X 1 (4)	N/A	340
CSF-15	32-1/2	46-1/2	26	16	27-1/2	32 X 32	24	18-7/8 X 16-1/4	16 X 25 X 1 (4)	N/A	380
CSF-18	36-1/2	46-1/2	30	20	31-3/8	36 X 36	27	22-1/4 X 19	20 X 25 X 1 (4)	N/A	540
CSF-20	51-1/4	70	43	21	46	51 X 51	42	23-1/8 X 25	20 X 25 X 1 (8)	N/A	890

Model Size	A Housing OD	B Overall Width	C Overall Height	D Intake Height	Roof Opening	E Curb Cap ID	Damper OD	Discharge Opening	Filter Size/No.	No. Tiers	Avg. Ship Weight (lbs.)
LSF-9	24 -1/2	32	28-1/2	16	19-1/2	24 X 24	16	12 X 10-1/2	16 X 20 X 1 (4)	3	265
LSF-10	28-1/2	36	28-1/2	16	23-1/2	28 X 28	20	13-1/4 X 11-5/8	16 X 25 X 1 (4)	3	290
LSF-12	28-1/2	36	28-1/2	16	23-1/2	28 X 28	20	15-7/8 X 13-5/8	16 X 25 X 1 (4)	3	340
LSF-15	32-1/2	40-1/4	30	21-1/2	27-1/2	32 X 32	24	18-7/8 X 16-1/4	21-1/2 X 28 X 1 (4)	4	380
LSF-18	36-1/2	44-1/4	35	26-1/2	31-3/8	36 X 36	27	22-1/4 X 19	24 X 30 X 1 (4)	5	540
LSF-20	51-1/4	59	47	26-1/2	46	51 X 51	42	23-1/8 X 25	25-1/2 X 45-1/2 X (4)	5	890



Duct Adaptor Dimensions

Model/Size CSF/LSF	A SQ.	B SQ.	C
CSF/LSF-9	18-1/2	14-1/2	2
CSF/LSF-10	22-1/2	18-1/2	2
CSF/LSF-12	22-1/2	18-1/2	2
CSF/LSF-15	26-1/2	20-1/2	3
CSF/LSF-18	30-1/2	24-1/2	3
CSF/LSF-20	45	30	7-1/2