

MODEL RED

DIRECT DRIVE CENTRIFUGAL ROOF EXHAUSTER



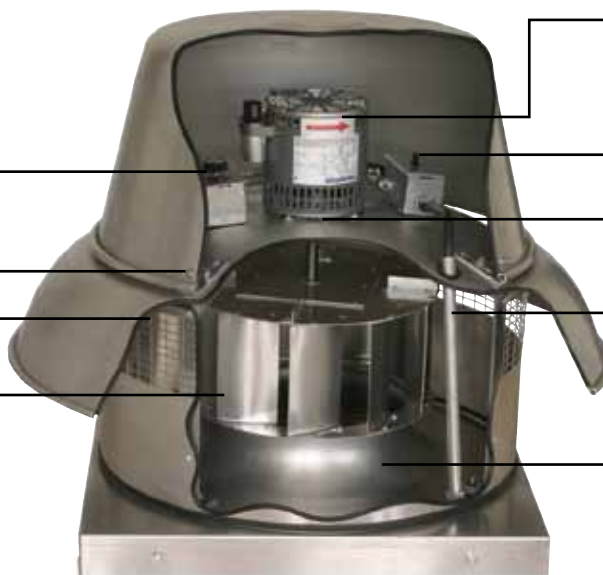
MODEL FEATURES

- Exhaust air up to 3000 CFM in high static pressure applications up to 1”
- Attractive spun aluminum exterior
- Direct drive units have low sound levels and quiet operation
- Non-overloading backward inclined wheel for efficiency at higher static pressures
- AMCA Air and Sound Licensed
- cULus 705 Listed

MODEL OVERVIEW

Model RED direct drive fans are designed to exhaust air up to 3000 CFM in high static pressure applications to 1”. The spun aluminum exterior provides an attractive appearance. The non-overloading backward inclined wheel with its higher static pressure capability makes this unit suitable for either ducted or nonducted applications. Its roof mounting permits location near the area to be ventilated, allowing short duct runs and more efficient operation.

CONSTRUCTION FEATURES AND OPTIONS



Solid State Speed Control
(Optional)

Stainless Steel Exterior Fasteners

Aluminum Birdscreen
Standard.

Centrifugal Wheel
Non-overloading, backward inclined tapered blades for maximum efficiency.

Factory Run & Tested
Assures dependable operation.

AMCA Seal
Assures rating of Sound and Air performance.

Motor
Open drip-proof construction standard, ships assembled.

Safety Disconnect
Standard

Motor Isolators
Reduce vibration and sound.

Conduit Chase
Provided for ease of electrical connection from below roof.

Deep Spun Single Piece Inlet
For optimum air and sound performance.

UL Label
For electrical reliability.

Model RED is available in our Quickship program. Sizes 6-15 are available for next day or 10-day shipping from stock.



Industry best 5 year fan housing warranty, 1 year motor warranty

All specifications are subject to change without notice unless approved in submittal by JencoFan.



CONSTRUCTION/SPECIFICATION CHECKLIST

Housing

- Curb cap has integral deep spun inlet for efficient performance and prepunched mounting holes for ease of installation.
- Fan plate isolates motor compartment from contaminated exhaust air.
- Spun aluminum hood and skirt for weather protection and attractive appearance.
- Heavy-gauge motor support for rigidity and strength.
- Neoprene isolators for reduction of vibration and sound.
- Quick access to motor compartment for ease of maintenance.
- Conduit passage for easy electrical connection from below roof.
- Birdscreen and included on standard models

Wheel

- Backward inclined for efficiency at higher static pressure.
- Non-overloading for safe operation in ducted systems.
- Tapered blades for efficiency and quiet operation.
- Wheels constructed of noncorrosive aluminum.
- Statically and dynamically balanced for smooth operation.

Speed Controllable Motors

- Brands are nationally recognized and locally serviced.
- Motors are single speed, speed controllable and drip-proof.
- All motors are rated for continuous duty.
- Disconnect is standard.
- Motors ship mounted as standard.

AMCA Seal

- Assures rating of Air and Sound performance.

UL Label

- UL 705 Listing assures electrical reliability.
- UL 705 must be specified when required.



OPTIONS/ACCESSORIES

Solid State Speed Control: JencoFan's solid state control is matched to the motor and blower wheel to allow continuous reduction in performance allowing adjustments of airflow for system balancing. CFM is reduced in direct proportion to motor speed reduction. Speed control is available for 115 or 230 volt single phase. Exhauster performance can be controlled from the ventilated area.



Roof Curb: Prefabricated heavy-gauge galvanized steel welded construction, 12" high with 1-1/2" wood nailer. Assures perfect fit of exhauster to roof curb. Options include burglar bars, single and double pitch construction, and additional curb heights.



Sound Curb: Option of thermal acoustical lining or a complete maximum sound attenuating baffle system. Provision for mounting damper is available. Contact factory for information regarding effect on exhauster air performance and sound level.

Motor Operated Aluminum Damper: Motor operated for positive closure against backdraft.



Automatic Damper: Automatic aluminum damper for ease in installation and effective backdraft protection.

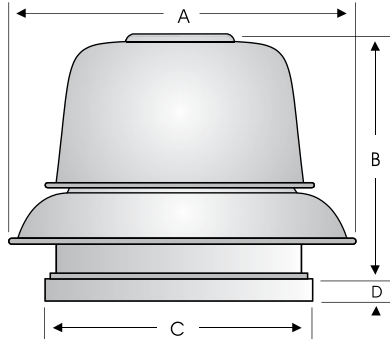
Curb Hinge Arrangement: The curb hinge arrangement provides easy access to the exhaust fan, backdraft damper, and duct for servicing and cleaning.

Special Coatings: Powered roof exhausters often require special coatings for protective and decorative purposes. Available coatings include: Epoxy, Synthetic Resin, and Heresite (air-dried phenolic). Contact your JencoFan representative or the factory for more information on available coatings and colors.



PERFORMANCE/DIMENSIONS

Model RED6



Damper		Roof Opening	Curb O.D.	A	B	C	D	Average Ship Wt. Lbs.
I.D.	O.D.							
11	11	11-3/4	14-3/4	21-3/4	12	16-1/2	1-3/4	50

Fan RPM performances may vary from actual current motor offerings for any given model. See price publications or software for current motor RPM offerings

CFM/BHP @ Static Pressure/Sones										HP	RPM (Nom.)	Tip Speed
0	1/8	1/4	3/8	1/2	5/8	3/4	7/8	1	Catalog Number			
46	27	-	-	-	-	-	-	-	RED6 CS+	1/10	1050	2237
.02/3.4	.02/2.8	-	-	-	-	-	-	-				
59	45	29	-	-	-	-	-	-	RED6 CS+	1/10	1350	2876
.03/6.2	.03/5.3	.03/5.3	-	-	-	-	-	-				
75	63	51	39	26	-	-	-	-	RED6 C*	1/10	1700	3621
.04/11.1	.04/9.8	.04/9.3	.04/9.4	.04/9.4	-	-	-	-				
85	54	-	-	-	-	-	-	-	RED6 CLS+	1/10	950	2024
.02/2.8	.02/2.2	-	-	-	-	-	-	-				
108	85	53	-	-	-	-	-	-	RED6 CLS+	1/10	1200	2556
.03/4.7	.03/3.9	.03/3.9	-	-	-	-	-	-				
130	112	90	61	-	-	-	-	-	RED6 CLS+	1/10	1450	3089
.04/7.5	.04/6.4	.04/6.3	.04/6.3	-	-	-	-	-				
153	137	120	100	76	-	-	-	-	RED6 CL*	1/10	1700	3621
.05/11.1	.06/9.8	.06/9.3	.05/9.4	.05/9.4	-	-	-	-				
224	133	-	-	-	-	-	-	-	RED6 S+	1/10	950	2024
.02/2.5	.02/2.4	-	-	-	-	-	-	-				
236	152	-	-	-	-	-	-	-	RED6 S+	1/10	1000	2130
.02/2.8	.02/2.8	-	-	-	-	-	-	-				
248	171	-	-	-	-	-	-	-	RED6 S+	1/10	1050	2237
.02/3.2	.02/3.1	-	-	-	-	-	-	-				
260	187	-	-	-	-	-	-	-	RED6 S+	1/10	1100	2343
.02/3.5	.02/3.5	-	-	-	-	-	-	-				
272	204	-	-	-	-	-	-	-	RED6 S+	1/10	1150	2450
.03/3.9	.03/3.8	-	-	-	-	-	-	-				
284	219	118	-	-	-	-	-	-	RED6 S+	1/10	1200	2556
.03/4.2	.03/4.2	.02/4.3	-	-	-	-	-	-				
295	234	146	-	-	-	-	-	-	RED6 S+	1/10	1250	2663
.03/4.6	.03/4.6	.03/4.7	-	-	-	-	-	-				
307	249	170	-	-	-	-	-	-	RED6 S+	1/10	1300	2769
.03/5.0	.03/5.0	.03/5.1	-	-	-	-	-	-				
319	264	191	-	-	-	-	-	-	RED6 S+	1/10	1350	2876
.03/5.4	.03/5.4	.03/5.5	-	-	-	-	-	-				
331	278	210	-	-	-	-	-	-	RED6 S+	1/10	1400	2982
.04/6.2	.04/5.8	.04/5.9	-	-	-	-	-	-				
343	293	229	131	-	-	-	-	-	RED6 S+	1/10	1450	3089
.04/6.2	.04/6.2	.04/6.3	.04/6.4	-	-	-	-	-				
354	307	246	162	-	-	-	-	-	RED6 S+	1/10	1500	3195
.04/6.6	.04/6.6	.04/6.7	.04/6.9	-	-	-	-	-				
366	320	263	188	-	-	-	-	-	RED6 S+	1/10	1550	3302
.05/7.0	.05/7.0	.05/7.2	.04/7.3	-	-	-	-	-				
378	334	279	211	-	-	-	-	-	RED6 S+	1/10	1600	3408
.05/7.4	.05/7.5	.05/7.6	.05/7.8	-	-	-	-	-				
390	347	295	232	134	-	-	-	-	RED6*	1/10	1650	3515
.05/7.9	.05/8.0	.05/8.1	.05/8.2	.05/8.4	-	-	-	-				

(1) Model RED 6 C series has choke plate.
 Model RED 6 S requires speed control for listed rpm.
 Performance certified is for installation type A-free inlet, free outlet.
 Performance ratings include the effects of birdscreen in the airstream.
 The sound ratings shown are loudness values in fan sones @ 5' (1.5m) in a hemispherical free field calculated per AMCA Standard 301. Values shown are for Installation Type A-free inlet fan sone levels.
 * Base Unit-AMCA Seal for Sound Rating does not apply to units with speed control.
 + RPM range capable with solid state speed control.
 Speed (RPM) shown is nominal. Performance is based on actual speed of test.

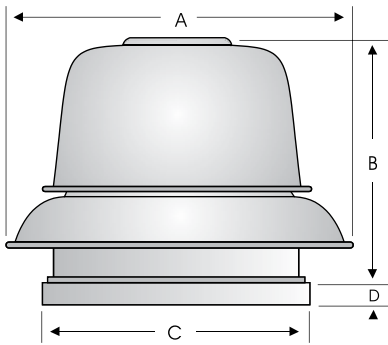


JencoFan, Div. of Soler & Palau Ventilation Group, certifies that the Models RED shown herein are licensed to bear the AMCA Seal. The ratings shown are based on test and procedures performed in accordance with AMCA Publication 211 and AMCA Publication 311 and comply with the requirement of the AMCA Certified Ratings Program.





Models RED8 and RED10



Size	Damper		Roof Opening	Curb O.D.	A	B	C	D	Average Ship Wt. Lbs.
	I.D.	O.D.							
RED812/810	11	11	11-3/4	14-3/4	21-3/4	13-1/2	16-1/2	1-3/4	50
RED8167	11	11	11-3/4	14-3/4	21-3/4	15-3/4	16-1/2	1-3/4	50
RED10	11	11	11-3/4	14-3/4	21-3/4	17-1/4	16-1/2	1-3/4	50

Fan RPM performances may vary from actual current motor offerings for any given model. See price publications or software for current motor RPM offerings

	CFM/BHP @ Static Pressure/Sones									HP	RPM (Nom.)	Tip Speed	
	0	1/8	1/4	3/8	1/2	5/8	3/4	7/8	1				Catalog Number
RED8	409 .02/2.5	238 .02/1.8	-	-	-	-	-	-	-	RED812 S+	1/25	750	1995
	464 .03/3.3	325 .03/2.7	-	-	-	-	-	-	-	RED812 S+	1/25	850	2261
	518 .03/4.1	399 .03/3.6	216 .03/3.1	-	-	-	-	-	-	RED812 S+	1/25	950	2527
	573 .04/4.9	468 .04/4.5	326 .04/4.1	-	-	-	-	-	-	RED812 *	1/25	1050	2793
	627 .05/5.9	535 .05/5.5	417 .05/5.1	249 .05/4.7	-	-	-	-	-	RED810 S+	1/10	1150	3059
	682 .06/6.8	599 .07/6.4	496 .07/6.0	362 .06/5.7	183 .05/5.6	-	-	-	-	RED810 S+	1/10	1250	3325
	736 .08/7.8	661 .08/7.4	569 .08/7.0	460 .08/6.7	314 .07/6.5	-	-	-	-	RED810 S+	1/10	1350	3591
	791 .09/8.9	721 .10/8.4	638 .10/8.0	545 .10/7.7	425 .09/7.5	276 .08/7.4	-	-	-	RED810 S+	1/10	1450	3857
	818 .10/9.4	751 .10/8.9	672 .11/8.5	584 .11/8.3	476 .10/8.0	340 .09/7.8	170 .08/7.7	-	-	RED810 S+	1/10	1500	3990
	845 .11/10.0	781 .11/9.5	705 .12/9.1	622 .12/8.8	523 .11/8.6	398 .11/8.3	251 .09/8.2	-	-	RED810 S+	1/10	1550	4123
954 .16/12.1	897 .16/11.6	836 .16/11.1	764 .16/10.8	688 .16/10.6	600 .16/10.3	494 .15/10.1	371 .14/10.0	233 .12/9.9	RED825 *	1/4	1750	4655	
808 .06/4.9	640 .06/4.2	403 .05/4.0	-	-	-	-	-	-	RED1025 S+	1/4	900	2889	
897 .07/5.9	750 .07/5.2	559 .07/5.0	299 .06/4.7	-	-	-	-	-	RED1025 S+	1/4	1000	3210	
987 .09/6.8	856 .09/6.3	696 .09/5.8	489 .08/5.6	-	-	-	-	-	RED1025 S+	1/4	1100	3531	
1077 .12/7.9	958 .12/7.4	821 .12/7.0	648 .11/6.8	438 .10/6.7	-	-	-	-	RED1025 S+	1/4	1200	3852	
1167 .15/9.0	1058 .15/8.5	936 .15/8.1	790 .14/7.9	615 .13/7.7	405 .11/7.5	-	-	-	RED1025 S+	1/4	1300	4173	
1256 .18/10.2	1156 .18/9.7	1046 .18/9.3	920 .18/9.1	769 .17/8.9	597 .16/8.7	390 .14/8.5	-	-	RED1025 S+	1/4	1400	4494	
1346 .22/11.5	1253 .22/11.0	1152 .22/10.6	1042 .22/10.3	910 .21/10.1	762 .20/9.9	594 .18/9.8	393 .16/9.6	-	RED1025 S+	1/4	1500	4815	
1391 .25/12.1	1301 .25/11.7	1204 .25/11.3	1099 .24/10.9	977 .23/10.7	838 .22/10.5	682 .21/10.4	504 .19/10.2	279 .16/10.1	RED1025 S+	1/4	1550	4976	
1436 .27/12.8	1348 .27/12.4	1256 .27/12.0	1155 .26/11.7	1041 .26/11.4	910 .25/11.2	766 .24/11.0	604 .22/10.8	412 .16/10.7	RED1025 *	1/4	1600	5136	
1481 .29/13.5	1396 .29/13.0	1307 .29/12.6	1211 .29/12.3	1104 .28/12.1	981 .27/12.0	845 .26/11.8	695 .25/11.6	524 .23/11.4	RED1033 S+	1/3	1650	5297	
1526 .32/14.2	1443 .32/13.8	1358 .32/13.3	1265 .32/12.9	1165 .13/12.7	1048 .30/12.6	921 .29/12.4	781 .28/12.3	625 .26/12.1	RED1033 *	1/3	1700	5457	

(1) Models with S in the number require speed control. Performance certified is for installation type A-free inlet, free outlet. Performance ratings include the effects of birdscreen in the airstream. The sound ratings shown are loudness values in fan sones @ 5' (1.5m) in a hemispherical free field calculated per AMCA Standard 301. Values shown are for Installation Type A-free inlet fan sone levels. * Base Unit-AMCA Seal for Sound Rating does not apply to units with speed control. + RPM range capable with solid state speed control. Speed (RPM) shown is nominal. Performance is based on actual speed of test.

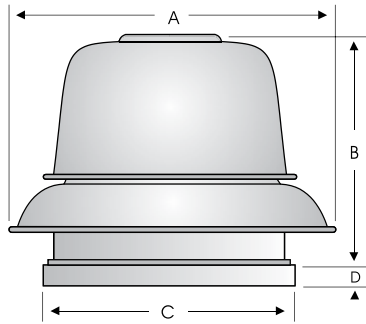


JencoFan, Div. of Soler & Palau Ventilation Group, certifies that the Models RED shown herein are licensed to bear the AMCA Seal. The ratings shown are based on test and procedures performed in accordance with AMCA Publication 211 and AMCA Publication 311 and comply with the requirement of the AMCA Certified Ratings Program.





Models RED12 and RED15



Damper		Roof Opening	Curb O.D.	A	B	C	D	Average Ship Wt. Lbs.
I.D.	O.D.							
18	18	19-1/4	22-1/4	33-1/8	23-1/2	24	2	124

Fan RPM performances may vary from actual current motor offerings for any given model. See price publications or software for current motor RPM offerings

RED12

RED15

CFM/BHP @ Static Pressure/Sones										HP	RPM (Nom.)	Tip Speed
0	1/8	1/4	3/8	1/2	5/8	3/4	7/8	1	Catalog Number			
1209	959	708	456	-	-	-	-	-	RED1216 S+	1/4	900	3393
.07/6.5	.08/5.8	.08/5.4	.08/5.3	-	-	-	-	-	RED1216 S+	1/4	950	3582
1277	1042	797	570	-	-	-	-	-	RED1216 S+	1/4	1000	3770
.08/7.1	.09/6.4	.09/6.0	.09/5.8	-	-	-	-	-	RED1216 S+	1/4	1050	3959
1344	1123	884	674	423	-	-	-	-	RED1216 S+	1/4	1100	4147
.10/7.6	.10/6.9	.10/6.6	.10/6.3	.10/6.2	-	-	-	-	RED1216*	1/4	1150	4336
1411	1202	970	771	553	-	-	-	-	RED1250 S+	1/2	1200	4524
.11/8.2	.11/7.6	.12/7.1	.12/7.0	.12/6.9	-	-	-	-	RED1250 S+	1/2	1250	4713
1478	1280	1057	863	665	419	-	-	-	RED1250 S+	1/2	1300	4901
.13/8.9	.13/8.2	.13/7.8	.14/7.5	.14/7.4	13/7.2	-	-	-	RED1250 S+	1/2	1350	5090
1545	1356	1144	952	769	558	-	-	-	RED1250 S+	1/2	1400	5278
.14/9.6	.15/8.9	.15/8.4	.15/8.2	.15/8.0	.15/7.8	-	-	-	RED1250 S+	1/2	1450	5467
1613	1432	1231	1040	866	678	442	-	-	RED1250 S+	1/2	1500	5655
.16/10.2	.16/9.6	.16/9.1	.17/8.8	.17/8.6	.17/8.4	.16/8.2	-	-	RED1250 S+	1/2	1550	5844
1680	1506	1317	1126	960	786	587	-	-	RED1250 S+	1/2	1600	6032
.18/11.0	.18/10.2	.18/9.7	.19/9.5	.19/9.3	.20/9.1	.19/8.9	-	-	RED1250 S+	1/2	1650	6221
1747	1580	1401	1212	1050	888	710	491	-	RED1250 S+	1/2	1700	6409
.20/11.7	.20/11.0	.21/10.3	.21/10.1	.22/9.9	.22/9.8	.22/9.5	.20/9.1	-	RED1250*	1/2	1750	6598
1814	1653	1484	1299	1139	984	821	633	376	RED1550 S+	1/2	750	3270
.22/12.5	.23/11.8	.23/11.1	.23/10.8	.24/10.6	.42/10.4	.24/10.3	.23/10.0	.21/9.8	RED1550 S+	1/2	800	3488
1881	1726	1565	1387	1226	1077	924	757	556	RED1550 S+	1/2	850	3706
.25/13.2	.25/12.5	.26/11.8	.26/11.7	.26/11.4	.27/11.2	.27/11.0	.27/10.7	.25/10.5	RED1550 S+	1/2	900	3924
1949	1798	1645	1474	1312	1168	1023	869	695	RED1550 S+	1/2	950	4142
.28/14.0	.28/13.3	.28/12.6	.28/12.3	.29/12.1	.30/12.0	.30/11.8	.30/11.6	.29/11.4	RED1550 S+	1/2	1000	4360
2016	1870	1723	1560	1398	1257	1118	974	817	RED1550 S+	1/2	1050	4578
.30/14.8	.31/14.1	.31/13.4	.31/13.0	.32/12.8	.32/12.6	.33/12.5	.33/12.4	.33/12.2	RED1550 S+	1/2	1100	4796
2083	1942	1801	1645	1484	1344	1210	1073	929	RED1550*	1/2	1150	5014
.33/15.6	.34/14.9	.34/14.3	.34/13.8	.35/13.6	.35/13.4	.36/13.3	.36/13.1	.36/12.9	RED1550*	1/2	1150	5014
2150	2013	1878	1729	1572	1430	1300	1170	1034	RED1550*	1/2	1150	5014
.37/16.4	.37/15.7	.37/15.5	.38/14.6	.38/14.4	.39/14.2	.39/14.0	.40/13.8	.40/13.7	RED1550*	1/2	1150	5014
2217	2084	1954	1812	1660	1516	1389	1263	1134	RED1550*	1/2	1150	5014
.40/17.3	.40/16.6	.41/15.9	.41/15.3	.41/15.2	.42/15.0	.43/14.8	.43/14.6	.44/14.5	RED1550*	1/2	1150	5014
2284	2155	2029	1893	1747	1602	1476	1354	1231	RED1550*	1/2	1150	5014
.44/18.2	.44/17.5	.45/16.8	.45/16.2	.45/16.0	.46/15.8	.46/15.6	.47/15.4	.48/15.3	RED1550*	1/2	1150	5014
2352	2226	2104	1973	1832	1689	1562	1443	1324	RED1550*	1/2	1150	5014
.48/18.9	.48/18.3	.48/17.6	.49/17.0	.49/16.7	.49/16.5	.50/16.3	.51/16.2	.52/16.0	RED1550*	1/2	1150	5014
1958	1599	1212	759	-	-	-	-	-	RED1550 S+	1/2	750	3270
.13/6.9	.14/6.3	.13/6.1	.12/6.0	-	-	-	-	-	RED1550 S+	1/2	800	3488
2089	1756	1395	989	512	-	-	-	-	RED1550 S+	1/2	850	3706
.16/7.7	.16/7.0	.16/6.8	.15/6.8	.13/6.7	-	-	-	-	RED1550 S+	1/2	900	3924
2219	1907	1567	1203	795	-	-	-	-	RED1550 S+	1/2	950	4142
.19/8.4	.19/7.9	.19/7.6	.19/7.6	.17/7.5	-	-	-	-	RED1550 S+	1/2	1000	4360
2350	2055	1736	1411	1035	608	-	-	-	RED1550 S+	1/2	1050	4578
.22/9.3	.23/8.8	.23/8.4	.22/8.3	.21/8.3	.18/8.3	-	-	-	RED1550 S+	1/2	1100	4796
2481	2202	1902	1602	1256	887	-	-	-	RED1550 S+	1/2	1150	5014
.26/10.2	.26/9.7	.27/9.3	.26/9.2	.26/9.1	.24/9.1	-	-	-	RED1550 S+	1/2	1150	5014
2611	2347	2066	1779	1468	1130	752	-	-	RED1550 S+	1/2	1150	5014
.30/11.1	.31/10.6	.31/10.2	.31/10.0	.30/10.0	.29/9.9	.26/9.9	-	-	RED1550 S+	1/2	1150	5014
2742	2493	2228	1950	1672	1352	1019	621	-	RED1550 S+	1/2	1150	5014
.35/12.1	.35/11.5	.36/11.2	.36/10.9	.35/10.9	.34/10.8	.32/10.8	.27/10.7	-	RED1550 S+	1/2	1150	5014
2872	2636	2386	2119	1860	1564	1258	923	494	RED1550 S+	1/2	1150	5014
.40/13.2	.40/12.6	.41/12.1	.41/11.8	.40/11.8	.40/11.8	.38/11.7	.35/11.7	.29/11.7	RED1550*	1/2	1150	5014
3003	2779	2540	2285	2038	1774	1480	1180	840	RED1550*	1/2	1150	5014
.46/14.2	.46/13.7	.46/13.2	.46/12.9	.46/12.8	.46/12.7	.44/12.7	.42/12.7	.38/12.6	RED1550*	1/2	1150	5014

(1) Models with S in the number require speed control.
Performance certified is for installation type A-free inlet, free outlet.
Performance ratings include the effects of birdscreen in the airstream.
The sound ratings shown are loudness values in fan sones @ 5' (1.5m) in a hemispherical free field calculated per AMCA Standard 301. Values shown are for Installation Type A-free inlet fan sone levels.
* Base Unit-AMCA Seal for Sound Rating does not apply to units with speed control.
+ RPM range capable with solid state speed control.
Speed (RPM) shown is nominal. Performance is based on actual speed of test.



JencoFan, Div. of Soler & Palau Ventilation Group, certifies that the Models RED shown herein are licensed to bear the AMCA Seal. The ratings shown are based on test and procedures performed in accordance with AMCA Publication 211 and AMCA Publication 311 and comply with the requirement of the AMCA Certified Ratings Program.

