

MODEL TXD

DIRECT DRIVE CENTRIFUGAL UPBLAST ROOF EXHAUSTER



MODEL FEATURES

- Exhaust air up to 3,400 CFM in high static pressure applications up to 1-1/4"
- Attractive spun aluminum exterior
- Direct drive units have low sound levels and quiet operation.
- Non-overloading backward inclined wheel for efficiency at higher static pressures
- Roof or sidewall mounting options
- AMCA Air and Sound Licensed
- cULus 705 or 762 Listed


FOODSERVICE APPLICATION CONSTRUCTION OPTIONS

MODEL NAME	TYPICAL APPLICATIONS
TXD	Removal of clean or contaminated air in general applications
TXDRHUL	UL762 listed for grease removal
TXDW	Wall mount version of TXD
TXDWRHUL	UL762 version of TXDW

Model Overview

Model TXD direct drive fans are designed to exhaust air up to 3,400 CFM in high static pressure applications to 1-1/4". The aluminum exterior provides an attractive appearance. The non-overloading backward inclined wheel with its higher static pressure capability makes this unit suitable for either ducted or nonducted applications. Its roof or wall mounting permits location near the area to be ventilated, allowing short duct runs and more efficient operation. Direct drive units use smaller diameter wheels with lower rpm's, resulting in low sound levels and quiet operation. They have no belts or fan bearings to maintain or adjust and consequently require very little maintenance.

Isolation of the motor from the air stream and the high velocity vertical (roof) or horizontal (wall) air discharge make the Model TXD ideally suited for the removal of dirty, contaminated and/or high temperature air from processes and buildings. Typical applications include restaurant hoods and similar kitchen exhaust ventilation.



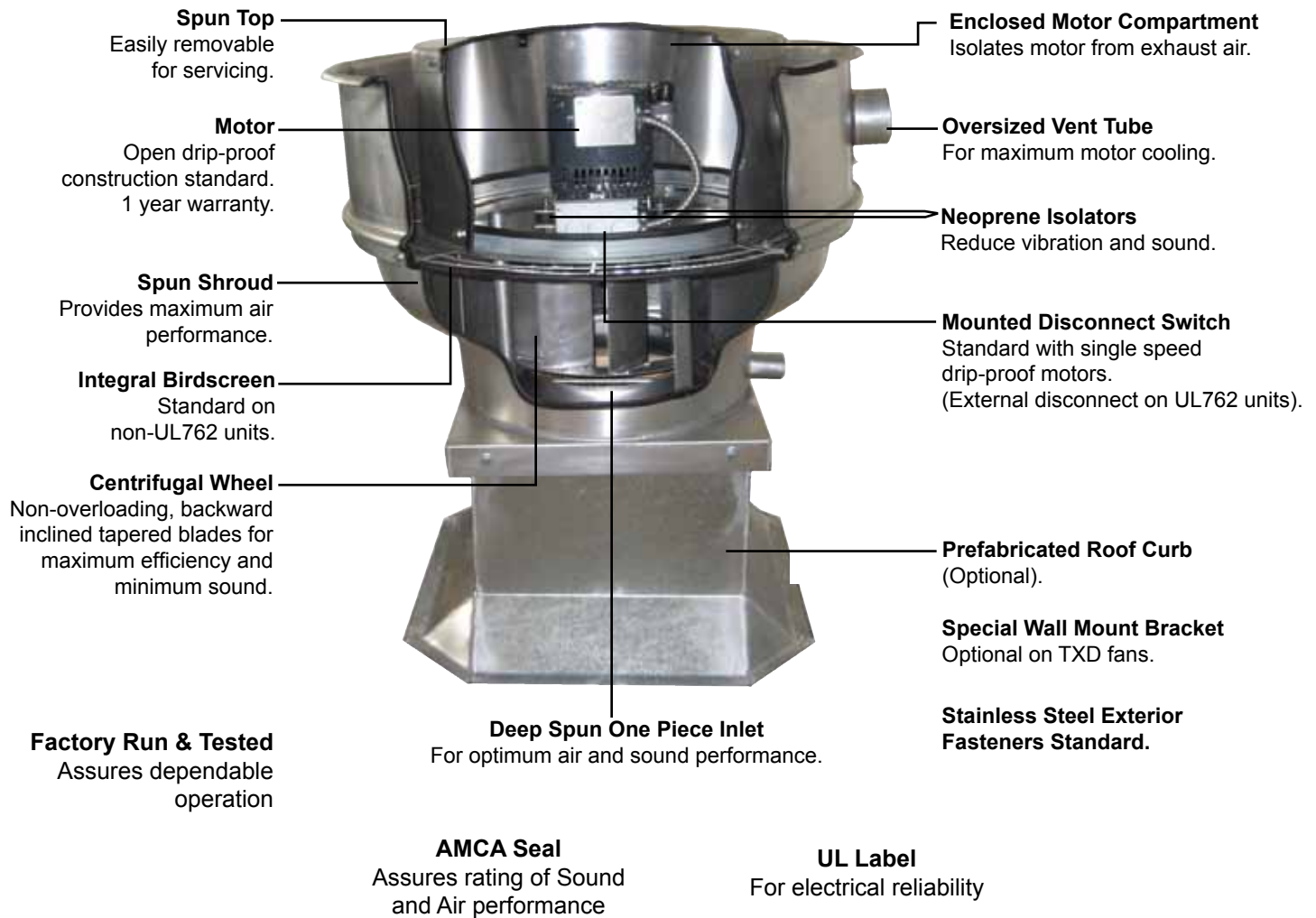
Models TXD or TXDRHUL are available in our Quickship program. Sizes 6-15 are available for next day or 10-day shipping from stock.

**Industry best 5 year fan housing warranty, 1 year motor warranty
TXDRHUL units have 1 year fan housing warranty**



STANDARD CONSTRUCTION FEATURES AND OPTIONS

Model TXD





CONSTRUCTION/SPECIFICATION CHECKLIST

Housing

- Curb cap with integral deep single piece spun inlet for efficient performance and prevention of leakage into ductwork.
- Heavy-gauge aluminum housing and curb cap for strength and rigidity. Curb cap is galvanized steel on all UL762 units.
- Stainless steel alloy exterior fasteners.
- Enclosed, ventilated motor compartment isolates motor from exhaust air.
- Neoprene isolators for reduction of vibration and sound.
- The motor compartment housing is easily removable for complete maintenance access.
- Water-tight conduit tube for easy electrical connection without having to wire through the breather tube.
- Birdscreen included on standard models (not included on UL762 units).

Centrifugal Wheel

- Backward inclined for efficiency at higher static pressure.
- Non-overloading for safe operation in ducted systems.
- Heavy aluminum hub for extra strength.
- Close running tolerance between inlet cone and wheel inlet for maximum efficiency.
- Statically and dynamically balanced for smooth quiet operation.

Speed Controllable Motors

- Brands are nationally recognized and locally serviced.
- Standard motors are single speed, speed controllable and drip-proof.
- All motors are rated for continuous duty.
- Disconnect switch is standard with drip-proof motors.
- Heavy-gauge steel motor brackets designed for maximum strength.

Certifications

- AMCA Air and Sound Licensed.
- cULus 705 Listed Power Roof Ventilator label assures electrical reliability.
- UL762 Listed for Restaurant Exhaust Appliance available for applications where required.
- UL label must be specified when needed.
- NFPA - Model TXD is suitable for National Fire Protection Association installations. Contact factory for required accessories.

Fan RPM performances may vary from actual current motor offerings for any given model. See price publications or software for current motor RPM offerings.



OPTIONS/ACCESSORIES

Solid State Speed Control: JencoFan's solid state control is matched to allow smooth RPM variation and adjustment of airflow for system balancing. CFM is reduced in direct proportion to motor speed reduction. Speed controllers available for 115/1 or 230/1 operation. Exhauster performance can be controlled from the ventilated area.



Roof Curb: Prefabricated heavy-gauge galvanized steel, welded construction, 12" high (other heights are also available) with 1-1/2" wood nailer. Assures perfect fit of exhauster to roof opening. Options include burglar bars, single or double pitch construction and hinged curbs for easy duct access.



Motor Operated Damper: Motor operated aluminum damper for positive closure against backdraft (Not for UL762 use).



Automatic Damper: Automatic aluminum damper for ease in installation and effective backdraft protection (Not for UL762 use).

Grease Grabber: Trap designed for fast and inexpensive replacement. Grease collects in a container for safe and sanitary disposal. Keeps roof clean with proper use.

Wall Mount Kit: Kit allows 6-15" fans to be wall mounted. Must be ordered assembled from the factory. See current submittal for details.

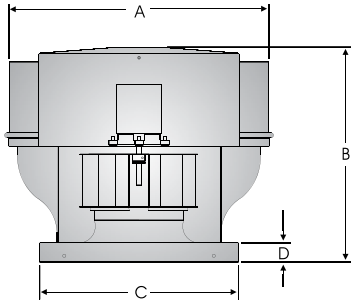
Curb Hinge Arrangement: The curb hinge arrangement provides easy access to the exhaust fan, backdraft damper, and duct for servicing and cleaning.

Special Coatings: Powered roof exhausters often require special coatings for protective and decorative purposes. Available coatings include: Synthetic Resin, Epoxy, and Heresite (air-dried phenolic). Contact your representative or the factory for more information on available coatings and colors.



PERFORMANCE/DIMENSIONS

TXD 6 AND 8



DAMPER OD	ROOF OPENING	CURB OD	A	B	C	D	FAN WT	SHIP WT
11	12	15	24	22	16-1/2	2	45	76

	CFM / BHP @ Static Pressure / Sones									HP	RPM	Tip Speed	
	0	1/8	1/4	3/8	1/2	5/8	3/4	7/8	1				Catalog Number
TXD 6	253	185	-	-	-	-	-	-	-	TXD-6SC	1/10	1110	2345
	.02/3.1	.02/2.4	-	-	-	-	-	-	-				
	274	212	-	-	-	-	-	-	-	TXD-6SC	1/10	1200	2535
	.03/3.6	.03/3.0	-	-	-	-	-	-	-				
	294	237	154	-	-	-	-	-	-	TXD-6SC	1/10	1290	2725
	.03/4.2	.03/3.7	.03/3.2	-	-	-	-	-	-				
	315	262	193	-	-	-	-	-	-	TXD-6SC	1/10	1380	2915
	.04/4.9	.04/4.4	.04/3.9	-	-	-	-	-	-				
	335	286	227	115	-	-	-	-	-	TXD-6SC	1/10	1470	3105
	.05/5.6	.05/5.1	.05/4.6	.05/4.4	-	-	-	-	-				
	356	310	258	179	-	-	-	-	-	TXD-6SC	1/10	1560	3296
	.06/6.3	.06/5.8	.06/5.3	.06/5.1	-	-	-	-	-				
377	334	286	220	-	-	-	-	-	TXD-6SC	1/10	1650	3486	
.07/7.0	.07/6.5	.07/6.0	.07/5.8	-	-	-	-	-					
397	357	312	256	168	-	-	-	-	TXD-6SC	1/10	1740	3676	
.08/7.8	.08/7.3	.08/6.8	.08/6.5	.08/6.3	-	-	-	-					
410	370	328	276	203	-	-	-	-	TXD-6 *	1/10	1795	3792	
.09/8.2	.09/7.7	.09/7.3	.09/6.9	.09/6.7	-	-	-	-					
533	302	-	-	-	-	-	-	-	TXD-8SC	1/4	680	1989	
.01/2.3	.01/1.2	-	-	-	-	-	-	-					
604	420	-	-	-	-	-	-	-	TXD-8SC	1/4	770	2252	
.02/3.2	.02/2.2	-	-	-	-	-	-	-					
674	525	-	-	-	-	-	-	-	TXD-8SC	1/4	860	2516	
.03/4.1	.03/3.2	-	-	-	-	-	-	-					
745	616	407	-	-	-	-	-	-	TXD-8SC	1/4	950	2779	
.03/5.0	.04/4.2	.04/3.2	-	-	-	-	-	-					
815	701	536	-	-	-	-	-	-	TXD-8SC	1/4	1040	3042	
.04/5.9	.05/5.2	.05/4.3	-	-	-	-	-	-					
886	783	644	441	-	-	-	-	-	TXD-8SC	1/4	1130	3305	
.06/6.8	.06/6.2	.07/5.5	.06/4.5	-	-	-	-	-					
960	867	752	594	348	-	-	-	-	TXD-8SC	1/4	1225	3583	
.07/7.8	.08/7.2	.08/6.6	.08/5.7	.07/5.0	-	-	-	-					
1031	944	844	705	527	-	-	-	-	TXD-8SC	1/4	1315	3846	
.09/8.8	.10/8.2	.10/7.6	.10/6.9	.10/6.1	-	-	-	-					
1101	1021	930	814	673	468	-	-	-	TXD-8SC	1/4	1405	4109	
.11/9.9	.12/9.3	.12/8.7	.13/8.1	.13/7.3	.12/6.7	-	-	-					
1172	1097	1014	916	786	631	414	-	-	TXD-8SC	1/4	1495	4373	
.13/11.0	.14/10.4	.15/9.8	.15/9.2	.15/8.6	.15/7.9	.13/7.3	-	-					
1242	1172	1095	1008	895	772	600	361	-	TXD-8SC	1/4	1585	4636	
.16/12.1	.17/11.6	.17/11.0	.18/10.5	.18/9.9	.18/9.2	.17/8.6	.15/8.1	-					
1313	1247	1175	1096	1002	883	754	579	309	TXD-8SC	1/4	1675	4899	
.19/13.5	.19/12.8	.20/12.3	.21/11.8	.21/11.2	.22/10.6	.21/9.9	.20/9.4	.16/8.9					
1364	1300	1232	1158	1072	960	851	698	510	TXD-8 *	1/4	1740	5090	
.21/14.3	.22/13.8	.23/13.2	.23/12.7	.24/12.2	.24/11.6	.24/11.0	.23/10.4	.21/9.9					

Performance certified is for installation type A - free inlet, free outlet.
Performance ratings include the effects of birdscreen in the airstream.
The sound ratings shown are loudness values in fan sones @ 5' (1.5m) in a hemispherical free field calculated per AMCA Standard 301. Values shown are for: Installation Type A: free inlet hemispherical sone levels.

* Base Unit - AMCA Seal for Sound Rating does not apply to units with speed control.
SC RPM range capable with solid state speed control.

Speed (RPM) shown is nominal. Performance is based on actual speed of test.



JencoFan, Div. of Soler & Palau Ventilation Group certifies that the Models TXD shown herein are licensed to bear the AMCA Seal. The ratings shown are based on test and procedures performed in accordance with AMCA Publication 211 and AMCA Publication 311 and comply with the requirement of the AMCA Certified Ratings Program.



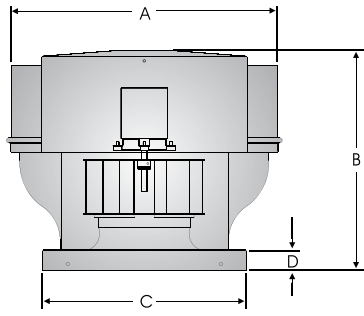
UL STANDARD 705 for Electrical
UL STANDARD 762 for
Grease Removal



MODEL TXD
DIRECT DRIVE CENTRIFUGAL UPBLAST ROOF EXHAUSTER



TXD 10



DAMPER OD	ROOF OPENING	CURB OD	A	B	C	D	FAN WT	SHIP WT
11	12	15	27-1/4	22	16-1/2	2	70	105

CFM / BHP @ Static Pressure / Sones										HP	RPM	Tip Speed
0	1/8	1/4	3/8	1/2	5/8	3/4	7/8	1	Catalog Number			
580	357	-	-	-	-	-	-	-	TXD-102511SC	1/4	680	2122
.02/2.7	.02/3.0	-	-	-	-	-	-	-	TXD-102511SC	1/4	770	2402
656	468	139	-	-	-	-	-	-	TXD-102511SC	1/4	815	2543
.02/3.9	.03/4.2	.02/3.8	-	-	-	-	-	-	TXD-102511SC	1/4	860	2683
695	518	268	-	-	-	-	-	-	TXD-102511SC	1/4	905	2824
.03/4.5	.03/4.8	.03/4.5	-	-	-	-	-	-	TXD-102511SC	1/4	950	2964
733	567	354	-	-	-	-	-	-	TXD-102511SC	1/4	995	3104
.03/5.0	.04/5.4	.04/5.2	-	-	-	-	-	-	TXD-102511SC	1/4	1040	3245
772	615	426	-	-	-	-	-	-	TXD-102511SC	1/4	1085	3385
.04/5.6	.04/6.0	.04/6.0	-	-	-	-	-	-	TXD-102511SC	1/4	1130	3526
810	662	489	197	-	-	-	-	-	TXD-102511SC	1/4	1140	3557
.04/6.3	.05/6.7	.05/6.8	.04/6.3	-	-	-	-	-	TXD-102511SC	1/4	1185	3697
848	707	548	321	-	-	-	-	-	TXD-102511SC	1/4	1230	3838
.05/6.9	.05/7.4	.06/7.6	.05/7.1	-	-	-	-	-	TXD-102511SC	1/4	1320	4118
887	752	604	411	-	-	-	-	-	TXD-102511SC	1/4	1410	4399
.05/7.7	.06/8.1	.07/8.5	.06/8.0	-	-	-	-	-	TXD-102511SC	1/4	1500	4680
925	797	657	486	181	-	-	-	-	TXD-102511SC	1/4	1545	4820
.06/8.4	.07/9.0	.07/9.5	.07/9.0	.06/8.5	-	-	-	-	TXD-102511SC	1/4	1590	4961
963	840	708	553	326	-	-	-	-	TXD-102511SC	1/4	1635	5101
.07/9.1	.08/9.6	.08/10.1	.08/9.8	.08/9.3	-	-	-	-	TXD-102511SC	1/4	1650	5148
972	850	719	567	350	-	-	-	-	TXD-102511 *	1/4	1680	5242
.07/9.2	.08/9.7	.08/10.2	.09/9.9	.08/9.4	-	-	-	-	TXD-102511 *	1/4	1700	5304
1010	893	769	628	445	-	-	-	-	TXD-1025SC	1/4	1700	5304
.08/8.5	.09/7.8	.09/7.1	.10/6.2	.09/5.3	-	-	-	-	TXD-1025SC	1/4	1700	5304
1049	936	817	686	524	267	-	-	-	TXD-1025SC	1/4	1700	5304
.09/9.1	.10/8.3	.10/7.7	.11/6.8	.11/5.9	.09/5.2	-	-	-	TXD-1025SC	1/4	1700	5304
1125	1021	912	794	660	488	180	-	-	TXD-1025SC	1/4	1700	5304
.11/10.4	.12/9.6	.13/8.9	.13/8.1	.14/7.2	.13/6.5	.10/5.8	-	-	TXD-1025SC	1/4	1700	5304
1202	1105	1003	896	917	642	461	102	-	TXD-1025SC	1/4	1700	5304
.13/11.7	.14/10.9	.15/10.2	.16/9.5	.17/8.6	.16/7.8	.15/7.1	.10/6.5	-	TXD-1025SC	1/4	1700	5304
1279	1188	1093	994	1043	771	631	444	-	TXD-1025SC	1/4	1700	5304
.16/13.0	.17/12.3	.18/11.6	.19/11.0	.20/10.1	.20/9.2	.19/8.5	.18/7.8	-	TXD-1025SC	1/4	1700	5304
1317	1230	1137	1042	1103	830	703	544	298	TXD-1025SC	1/4	1700	5304
.18/13.7	.19/13.0	.20/12.3	.21/11.7	.22/10.8	.22/10.0	.21/9.2	.20/8.5	.17/7.9	TXD-1025SC	1/4	1700	5304
1356	1271	1181	1089	1161	888	770	630	440	TXD-1025SC	1/4	1700	5304
.19/14.5	.20/13.7	.22/13.0	.22/12.4	.23/11.6	.23/10.8	.23/10.0	.23/9.2	.21/8.6	TXD-1025SC	1/4	1700	5304
1394	1312	1224	1135	1217	943	833	706	547	TXD-1025SC	1/4	1700	5304
.21/15.2	.22/14.5	.23/13.7	.24/13.1	.25/12.4	.25/11.6	.26/10.7	.25/10.0	.24/9.4	TXD-1025SC	1/4	1700	5304
1407	1325	1239	1151	1236	961	854	731	579	TXD-1025 *	1/4	1700	5304
.22/15.5	.23/14.7	.24/14.0	.25/13.3	.26/12.7	.26/11.8	.26/11.0	.26/10.3	.25/9.6	TXD-1025 *	1/4	1700	5304
1432	1353	1268	1181	1272	997	893	777	637	TXD-1033SC	1/3	1700	5304
.23/16.0	.24/15.2	.25/14.5	.26/13.8	.28/13.2	.27/12.3	.28/11.6	.28/10.8	.27/10.2	TXD-1033SC	1/3	1700	5304
1449	1371	1287	1201	1296	1020	919	807	674	TXD-1033 *	1/3	1700	5304
.24/16.3	.25/15.6	.26/14.9	.27/14.2	.29/13.5	.28/12.7	.29/11.9	.29/11.2	.28/10.5	TXD-1033 *	1/3	1700	5304

Performance certified is for installation type A - free inlet, free outlet.
Performance ratings include the effects of birdscreen in the airstream.
The sound ratings shown are loudness values in fan sones @ 5' (1.5m) in a hemispherical free field calculated per AMCA Standard 301. Values shown are for: Installation Type A: free inlet hemispherical sone levels.

* Base Unit - AMCA Seal for Sound Rating does not apply to units with speed control.
SC RPM range capable with solid state speed control.
Speed (RPM) shown is nominal. Performance is based on actual speed of test.



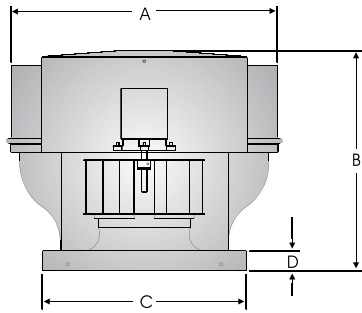
JencoFan, Div. of Soler & Palau Ventilation Group certifies that the Models TXD shown herein are licensed to bear the AMCA Seal. The ratings shown are based on test and procedures performed in accordance with AMCA Publication 211 and AMCA Publication 311 and comply with the requirement of the AMCA Certified Ratings Program.



UL STANDARD 705 for Electrical
UL STANDARD 762 for Grease Removal



TXD 12



DAMPER OD	ROOF OPENING	CURB OD	A	B	C	D	FAN WT	SHIP WT
18	19-1/4	22-1/4	31-1/2	23	24	2	80	115

CFM / BHP @ Static Pressure / Sones											HP	RPM	Tip Speed
0	1/8	1/4	3/8	1/2	5/8	3/4	7/8	1	1-1/4	Catalog Number			
964	712	352	-	-	-	-	-	-	-	TXD-1225SC	1/4	680	2519
.03/4.3	.03/3.3	.03/2.5	-	-	-	-	-	-	-				
1028	797	492	-	-	-	-	-	-	-	TXD-1225SC	1/4	725	2686
.03/4.9	.03/3.9	.04/3.1	-	-	-	-	-	-	-				
1092	881	610	-	-	-	-	-	-	-	TXD-1225SC	1/4	770	2853
.04/5.5	.05/4.5	.05/3.7	-	-	-	-	-	-	-				
1156	962	715	-	-	-	-	-	-	-	TXD-1225SC	1/4	815	3020
.05/6.2	.05/5.2	.06/4.4	-	-	-	-	-	-	-				
1219	1040	809	520	-	-	-	-	-	-	TXD-1225SC	1/4	860	3186
.06/6.8	.06/5.9	.07/5.2	.06/4.6	-	-	-	-	-	-				
1283	1116	897	649	-	-	-	-	-	-	TXD-1225SC	1/4	905	3353
.07/7.4	.07/6.5	.08/5.8	.08/5.1	-	-	-	-	-	-				
1347	1190	985	764	455	-	-	-	-	-	TXD-1225SC	1/4	950	3520
.08/7.9	.08/7.0	.09/6.4	.09/5.7	.08/5.3	-	-	-	-	-				
1411	1262	1071	869	607	-	-	-	-	-	TXD-1225SC	1/4	995	3686
.09/8.4	.10/7.6	.10/6.9	.10/6.4	.10/5.9	-	-	-	-	-				
1475	1332	1155	964	736	419	-	-	-	-	TXD-1225SC	1/4	1040	3853
.10/9.0	.11/8.2	.12/7.6	.12/7.0	.12/6.5	.10/6.5	-	-	-	-				
1538	1402	1239	1053	852	590	-	-	-	-	TXD-1225SC	1/4	1085	4020
.12/9.5	.12/8.8	.13/8.2	.14/7.6	.14/7.1	.12/6.6	-	-	-	-				
1616	1487	1338	1161	983	760	462	-	-	-	TXD-1225 *	1/4	1140	4224
.13/10.3	.14/9.6	.15/9.1	.16/8.5	.16/8.0	.15/7.4	.13/7.2	-	-	-				
1666	1540	1399	1228	1060	855	599	-	-	-	TXD-1250SC	1/2	1175	4353
.15/10.8	.16/10.2	.16/9.7	.17/9.1	.17/8.5	.17/8.0	.15/7.8	-	-	-				
1794	1676	1553	1399	1240	1078	877	632	-	-	TXD-1250SC	1/2	1265	4687
.18/12.4	.20/11.7	.20/11.2	.21/10.7	.22/10.2	.22/9.5	.21/9.0	.19/8.7	-	-				
1921	1811	1701	1565	1415	1269	1108	916	685	-	TXD-1250SC	1/2	1355	5022
.22/14.0	.24/13.3	.25/12.8	.25/12.3	.26/11.8	.26/11.2	.26/10.7	.26/10.2	.23/9.8	-				
1985	1878	1773	1645	1501	1359	1213	1038	836	-	TXD-1250SC	1/2	1400	5187
.25/14.7	.26/14.1	.27/13.6	.28/13.1	.29/12.6	.29/12.1	.29/11.6	.29/11.1	.27/10.7	-				
2049	1945	1844	1724	1586	1446	1310	1152	969	-	TXD-1250SC	1/2	1445	5354
.27/15.6	.29/14.9	.30/14.5	.30/13.9	.31/13.5	.32/12.9	.32/12.4	.32/12.0	.31/11.5	-				
2113	2011	1914	1802	1670	1534	1402	1259	1092	673	TXD-1250SC	1/2	1490	5520
.30/16.5	.32/15.8	.32/15.3	.33/14.9	.34/14.3	.35/13.8	.35/13.3	.35/12.8	.35/12.4	.30/11.8				
2177	2078	1984	1878	1753	1620	1491	1361	1207	837	TXD-1250SC	1/2	1535	5687
.33/17.3	.34/16.7	.35/16.2	.36/16.7	.37/15.3	.37/15.3	.38/14.2	.38/13.7	.38/13.3	.35/12.7				
2240	2144	2053	1953	1834	1706	1578	1455	1316	980	TXD-1250SC	1/2	1580	5854
.36/18.2	.37/17.5	.38/17.1	.39/16.6	.40/16.2	.41/15.8	.42/15.3	.42/14.7	.42/14.2	.40/13.4				
2304	2210	2122	2027	1915	1791	1666	1545	1419	1110	TXD-1250SC	1/2	1625	6021
.39/19.1	.41/18.4	.42/17.9	.42/17.5	.43/17.1	.44/16.6	.45/16.2	.46/15.7	.46/15.3	.45/14.3				
2410	2320	2236	2148	2045	1930	1810	1692	1577	1308	TXD-1250SC	1/2	1700	6299
.44/21	.46/19.9	.48/19.5	.48/19.0	.49/18.6	.50/18.2	.51/17.7	.52/17.2	.52/16.8	.52/16.0				
2453	2364	2281	2196	2097	1985	1867	1751	1638	1384	TXD-1250 *	1/2	1730	6410
.47/21	.49/21	.50/20	.51/19.6	.52/19.2	.53/18.7	.54/18.3	.55/17.8	.55/17.4	.55/16.6				

Performance certified is for installation type A - free inlet, free outlet.
Performance ratings include the effects of birdscreen in the airstream.
The sound ratings shown are loudness values in fan sones @ 5' (1.5m) in a hemispherical free field calculated per AMCA Standard 301. Values shown are for: Installation Type A: free inlet hemispherical sone levels.

* Base Unit - AMCA Seal for Sound Rating does not apply to units with speed control.
SC RPM range capable with solid state speed control.

Speed (RPM) shown is nominal. Performance is based on actual speed of test.



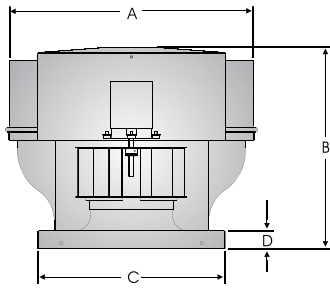
JencoFan, Div. of Soler & Palau Ventilation Group certifies that the Models TXD shown herein are licensed to bear the AMCA Seal. The ratings shown are based on test and procedures performed in accordance with AMCA Publication 211 and AMCA Publication 311 and comply with the requirement of the AMCA Certified Ratings Program.



UL STANDARD 705 for Electrical
UL STANDARD 762 for Grease Removal



TXD 14 AND 15



DAMPER OD	ROOF OPENING	CURB OD	A	B	C	D	FAN WT	SHIP WT
18	19-1/4	22-1/4	31-1/2	23	24	2	85	120

	CFM / BHP @ Static Pressure / Sones										HP	RPM	Tip Speed	
	0	1/8	1/4	3/8	1/2	5/8	3/4	7/8	1	1-1/4				Catalog Number
TXD 14	1404 .07/5.6	1210 .08/4.9	932 .08/4.1	-	-	-	-	-	-	-	TXD-1425SC	1/4	770	2978
	1486 .08/6.2	1305 .09/5.5	1062 .09/4.9	673 .08/3.8	-	-	-	-	-	-	TXD-1425SC	1/4	815	3152
	1568 .09/6.8	1398 .10/6.2	1181 .11/5.6	852 .10/4.6	-	-	-	-	-	-	TXD-1425SC	1/4	860	3326
	1650 .11/7.4	1491 .12/6.8	1294 .13/6.3	1020 .13/5.5	617 .11/4.6	-	-	-	-	-	TXD-1425SC	1/4	905	3500
	1732 .13/8.0	1582 .14/7.5	1402 .15/7.0	1163 .15/6.4	814 .14/5.5	-	-	-	-	-	TXD-1425SC	1/4	950	3674
	1814 .14/8.7	1673 .16/8.2	1506 .17/7.7	1292 .17/7.2	991 .16/6.4	605 .14/5.9	-	-	-	-	TXD-1425SC	1/4	995	3848
	1896 .16/9.4	1762 .18/8.9	1606 .19/8.4	1413 .19/8.0	1161 .19/7.3	818 .17/6.9	-	-	-	-	TXD-1425SC	1/4	1040	4022
	2060 .21/11.1	1939 .23/10.4	1798 .24/9.9	1638 .25/9.5	1439 .25/9.3	1177 .24/8.9	856 .22/8.5	-	-	-	TXD-1425 *	1/4	1130	4370
	1918 .11/7.6	1702 .12/6.8	1414 .13/6.0	1065 .13/6.0	-	-	-	-	-	-	TXD-1550SC	1/2	795	3359
	2135 .15/9.0	1948 .17/8.2	1710 .18/7.5	1406 .18/7.1	1087 .17/7.5	-	-	-	-	-	TXD-1550SC	1/2	885	3739
2352 .20/10.5	2188 .22/9.8	1983 .23/9.1	1736 .24/8.6	1444 .24/8.6	1145 .23/9.5	-	-	-	-	TXD-1550SC	1/2	975	4119	
2461 .23/11.3	2305 .25/10.6	2114 .26/9.9	1888 .27/9.4	1616 .28/9.1	1349 .27/10.0	981 .24/11.2	-	-	-	TXD-1550SC	1/2	1020	4310	
2569 .26/12.1	2422 .28/11.4	2241 .30/10.8	2034 .31/10.2	1787 .32/9.7	1522 .31/10.6	1239 .30/11.7	777 .24/13.1	-	-	TXD-1550SC	1/2	1065	4500	
2786 .33/13.9	2653 .36/13.2	2491 .38/12.6	2313 .39/12.0	2104 .40/11.5	1863 .41/11.8	1623 .40/12.9	1362 .38/14.2	969 .33/15.7	-	TXD-1550 *	1/2	1155	4880	
TXD 15	1829 .18/10.6	1711 .18/10.0	1586 .19/9.4	1453 .19/8.8	1303 .20/8.2	1124 .20/7.6	875 .19/7.4	-	-	-	TXD-1575SC	3/4	1050	4263
	2003 .24/12.9	1896 .24/12.2	1784 .25/11.7	1666 .25/11.1	1539 .26/10.5	1397 .26/9.9	1231 .26/9.4	1013 .25/9.2	602 .19/9.2	-	TXD-1575SC	3/4	1150	4669
	2177 .31/15.5	2079 .31/14.8	1977 .31/14.2	1871 .32/13.6	1759 .33/13	1639 .33/12.5	1506 .34/11.9	1353 .34/11.5	1163 .33/11.2	-	TXD-1575SC	3/4	1250	5075
	2352 .38/17.1	2261 .39/16.5	2167 .39/15.9	2070 .40/15.4	1969 .41/14.9	1864 .41/14.3	1750 .42/13.8	1626 .42/13.3	1486 .42/12.8	1104 .39/12.4	TXD-1575SC	3/4	1350	5481
	2526 .48/18.8	2441 .48/18.1	2354 .49/17.6	2265 .49/17.1	2173 .50/16.7	2078 .51/16.2	1978 .51/15.7	1871 .52/15.2	1756 .52/14.7	1481 .52/13.8	TXD-1575SC	3/4	1450	5887
	2700 .58/20	2621 .59/19.9	2540 .59/19.3	2457 .60/18.9	2373 .61/18.4	2286 .61/18.0	2195 .62/17.5	2100 .63/17.1	2000 .64/16.6	1776 .64/15.8	TXD-1575SC	3/4	1550	6293
	2874 .70/22	2801 .71/22	2724 .71/21	2647 .72/21	2568 .73/20	2488 .73/19.9	2405 .74/19.4	2319 .75/18.9	2230 .76/18.5	2035 .77/17.7	TXD-1575SC	3/4	1650	6669
	2909 .73/23	2836 .73/22	2761 .74/21	2685 .74/21	2607 .75/21	2528 .76/20	2446 .77/19.8	2362 .78/19.4	2274 .79/18.9	2085 .80/18.1	TXD-1575 *	3/4	1670	6750
	3443 1.30/31	3372 1.31/30	3299 1.31/29	3222 1.32/29	3141 1.33/28	3055 1.33/27	2964 1.34/26	2866 1.33/26	2758 1.33/26	2508 1.30/25	TXD1515	1-1/2	1760	7055

Performance certified is for installation type A - free inlet, free outlet.
Performance ratings include the effects of birdscreen in the airstream.
The sound ratings shown are loudness values in fan sones @ 5' (1.5m) in a hemispherical free field calculated per AMCA Standard 301. Values shown are for: Installation Type A: free inlet hemispherical sone levels.
* Base Unit - AMCA Seal for Sound Rating does not apply to units with speed control.
SC RPM range capable with solid state speed control.
Speed (RPM) shown is nominal. Performance is based on actual speed of test.



JencoFan, Div. of Soler & Palau Ventilation Group certifies that the Models TXD shown herein are licensed to bear the AMCA Seal. The ratings shown are based on test and procedures performed in accordance with AMCA Publication 211 and AMCA Publication 311 and comply with the requirement of the AMCA Certified Ratings Program.



UL STANDARD 705 for Electrical
UL STANDARD 762 for Grease Removal