

MODEL ARE/ARS DOME AXIAL POWER ROOF VENTILATORS (EXHAUST/SUPPLY)



The AR series offers powerful axial intake (ARS) or exhaust (ARE) performance in a roof mount design that is compact, lightweight and easy to install. Available in 4 sizes with a CFM range from 268 to over 3100 CFM to .75 static pressure.

The direct drive design has no belts or fan bearings to maintain or adjust and consequently requires very little maintenance. The AR series is an excellent choice for factories, shops, restaurants, bathrooms, offices, schools and other similar applications where light to moderate static pressures are present. Equipped with explosion-proof motors, the AR series can be used in more severe applications. (Caution should be used to safely match the motor capabilities with the specific hazardous environment).

The low contour designs and all aluminum housing provides a modern, clean appearance in addition to excellent performance and durability.



Most of our line of AR fans is in-stock available for quick shipment!

Construction/Specification Checklist

Housing

- Heavy-gauge all aluminum housing.
- Exclusive U-Spring suspension compensates for both radial and lateral movement and provides 44% better vibration isolation than rubber isolators.
- External wiring chase for easy connection.
- High point of discharge with low silhouette design.
- Quick access to motor compartment for easy maintenance.

Propellers

- Attaches directly to fan shaft for maximum efficiency.
- Precision pitched. Heavy-gauge aluminum blades with steel hub. Blades are designed for specific exhaust or supply requirements.

Motors

- Standard motors are single speed, speed controllable and drip-proof.
- All motors are rated for continuous duty.
- Disconnect is standard on ODP motors (except two speed and explosion proof).
- Motors are shipped assembled with factory test run assurance.

Certifications

- UL-705 listing available as an option with with standard motors.
- Units are tested in accordance with AMCA 301 (Sound) and AMCA 210 (Air) in an AMCA certified laboratory.

Options/Accessories

- Backdraft dampers.
- Roof curbs/hinged curb caps.
- UL-705 listing.
- Stainless steel hardware.
- Insect screen.
- Explosion-proof motors.
- Special coatings: Epoxy, Heresite and Synthetic Resin.

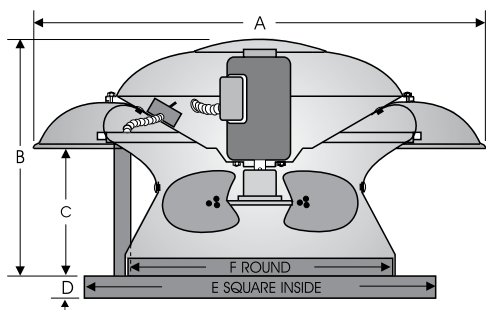
All specifications are subject to change without notice unless approved in submittal by JencoFan.



Standard 705
(Optional)

1 year fan housing warranty, 1 year motor warranty

DIMENSIONS



Size	Dimensions (Inches)						Avg. Ship weight (lbs.)
	A	B	C	D	E	F	
100A	21	13	7	2	20	13-3/4	25
120A-121A	28	16	8	3	24	15-3/4	42
160A-161A	32	18	8-1/2	3	28	19-3/4	55
201A	36	20	9-3/4	3	32	23-3/4	75


PERFORMANCE

 Standard 705
 (Optional)

Model ARE (Exhaust)

CFM / BHP @ Static Pressure / Sones								Catalog Number	HP	RPM	Sones @ 0"SP	Max BHP
0	1/10	1/8	1/4	3/8	1/2	5/8	3/4					
495	322	268	-	-	-	-	-	ARE 100A S	1/15	930		.014
655	532	498	316	-	-	-	-	ARE 100A S	1/15	1230	4.2	.033
825	730	570	405	-	-	-	-	ARE 100A *	1/15	1550		.067
793	417	365	-	-	-	-	-	ARE 121A S	1/4	685		.027
1088	914	818	478	375	-	-	-	ARE 121A S	1/4	940	4.1	.070
1320	1224	1190	730	570	320	-	-	ARE 121A *	1/4	1140		.125
1173	1035	975	600	-	-	-	-	ARE 120A S	1/4	1030		.053
1566	1450	1430	1163	866	-	-	-	ARE 120A S	1/4	1375	6.1	.127
2000	1857	1840	1760	1570	1160	1060	970	ARE 120A *	1/4	1725		.250
1226	796	700	-	-	-	-	-	ARE 161A S	1/4	685		.036
1682	1378	1297	926	-	-	-	-	ARE 161A S	1/4	940	4.5	.094
2040	1796	1730	1400	1110	930	-	-	ARE 161A *	1/4	1140		.167
1827	1572	1549	1114	-	-	-	-	ARE 160A S	1/3	1030		.071
2439	2187	2149	2045	1704	-	-	-	ARE 160A S	1/3	1375	9.5	.169
3060	2863	2810	2650	2580	2410	2020	1800	ARE 160A *	1/3	1725		.333
1911	1442	1318	-	-	-	-	-	ARE 201A S	1/4	685		.054
2622	2343	2256	1776	-	-	-	-	ARE 201A S	1/4	940	6.9	.140
3180	2963	2900	2530	2140	1980	-	-	ARE 201A *	1/4	1140		.250

* - As run speed.

S - Requires speed control.

Model ARS (Supply)

CFM / BHP @ Static Pressure / Sones								Catalog Number	HP	RPM	Sones @ 0"SP	Max BHP
0	1/10	1/8	1/4	3/8	1/2	5/8	3/4					
615	423	351	-	-	-	-	-	ARS 100A S	1/15	1230		.033
694	576	547	231	-	-	-	-	ARS 100A S	1/15	1390	4.0	.042
775	644	610	325	-	-	-	-	ARS 100A *	1/15	1550		.067
769	512	-	-	-	-	-	-	ARS 121A S	1/4	820		.046
882	588	509	-	-	-	-	-	ARS 121A S	1/4	940	4.1	.070
1070	833	770	440	-	-	-	-	ARS 121A *	1/4	1140		.125
943	697	588	-	-	-	-	-	ARS 120A S	1/4	1030		.053
1259	1082	1040	706	429	-	-	-	ARS 120A S	1/4	1375	6.1	.127
1580	1433	1400	1230	920	700	470	-	ARS 120A *	1/4	1725		.250
1309	781	-	-	-	-	-	-	ARS 161A S	1/4	820		.062
1501	895	842	394	-	-	-	-	ARS 161A S	1/4	940	4.5	.094
1820	1360	1130	920	450	-	-	-	ARS 161A *	1/4	1140		.167
1505	1171	1069	691	-	-	-	-	ARS 160A S	1/3	1030		.071
2009	1815	1742	1355	1028	-	-	-	ARS 160A S	1/3	1375	9.5	.169
2520	2383	2340	2040	1735	1500	1070	-	ARS 160A *	1/3	1725		.333
1767	1343	1223	-	-	-	-	-	ARS 201A S	1/4	685		.054
2424	2123	2047	1626	-	-	-	-	ARS 201A S	1/4	940	6.9	.140
2940	2692	2630	2310	1950	1580	-	-	ARS 201A *	1/4	1140		.250

* - As run speed.

S - Requires speed control.

JencoFan certifies the performance shown herein. The ratings shown are based on tests and procedures performed in accordance with AMCA Publication 210 (Air) and AMCA 301 (Sound).