

MODELS CSF & LSF CENTRIFUGAL FILTERED SUPPLY FANS



Model CSF
Hooded Design

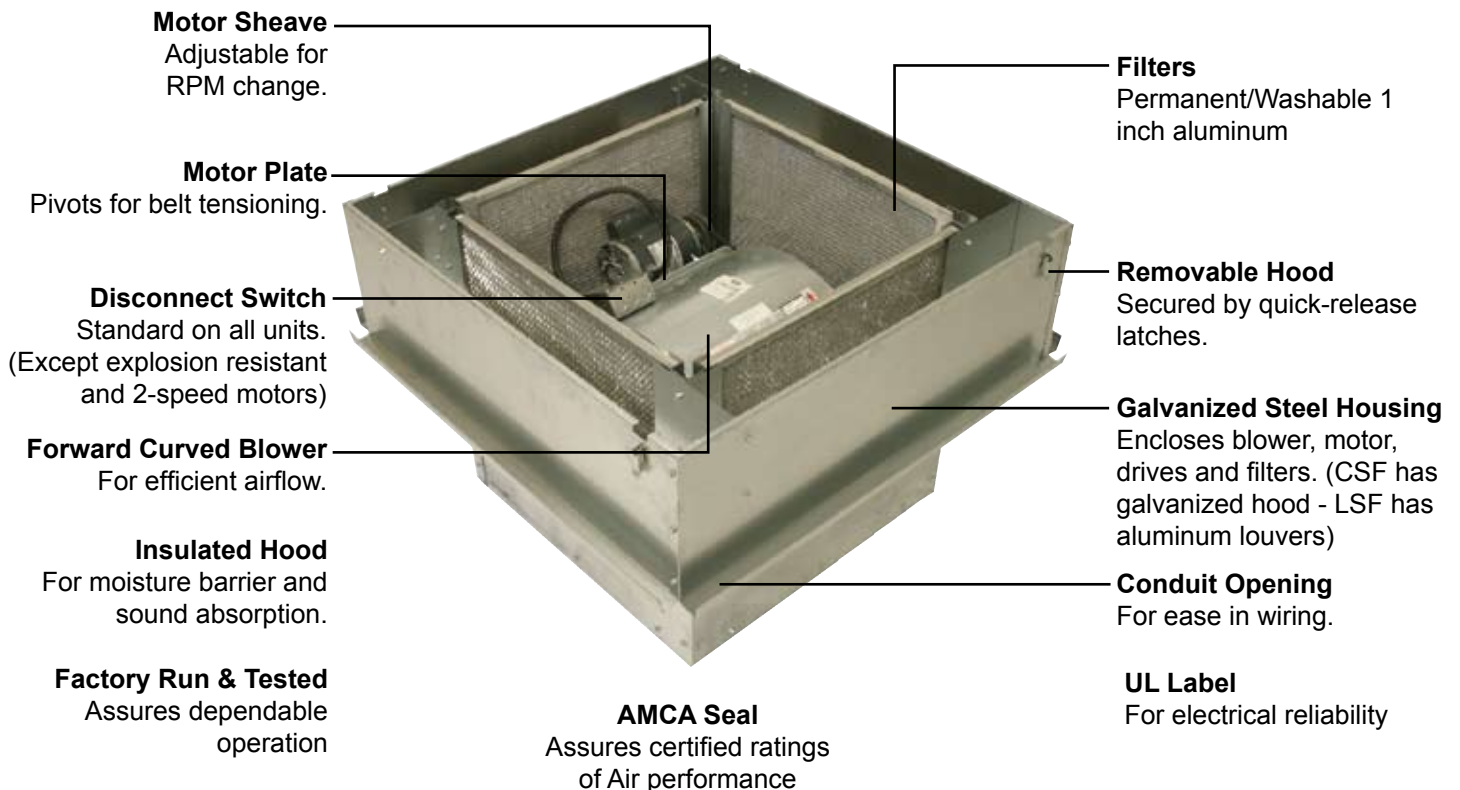
Models CSF and LSF units are roof mounted, filtered supply fans rated from 375 to over 13,000 CFM, with static pressure capabilities to 2". Model CSF's rugged, heavy-gauge galvanized hood and stack provide maximum weather protection and long life. Model LSF's architecturally pleasing, heavy-gauge aluminum louver design provides long life and the utmost in performance efficiency. All models are belt driven for easier performance adjustment and quieter operation. Adjustable motor pulleys further simplify fan speed changes.



Model LSF
Louvered Penthouse Design

JencoFan's Centrifugal Filtered Supply Fans are used to replace exhausted fumes, vapors and gases with fresh, filtered make-up air in commercial and industrial applications such as manufacturing and assembly areas, kitchens, athletic clubs and many others.

Construction Features and Options



Industry best 5 year fan housing warranty, 1 year motor warranty

Construction/Specification Checklist

Blower/Housing

- Statically and dynamically balanced forward curved wheel.
- 12-gauge galvanized steel blower plate/discharge opening.
- Heavy-gauge galvanized steel housing.
- Prepunched mounting holes.
- Conduit opening for wiring from below unit.
- Disconnect switch is standard equipment (except two speed and explosion proof).

Hooded/Louvered Top

- Heavy-gauge aluminum louvered design. (LSF)
- Heavy-gauge galvanized steel hood. (CSF)
- Quick-release latches for removal from housing.
- Insulated for sound absorption and moisture barrier.
- Oversized for weather protection.
- 1" washable aluminum mesh filters.
- Mitered cut and welded corners. (LSF)

Drives

- Adjustable motor pulleys are standard.
- Sized for minimum 150% of drive horsepower.
- Pivoting motor plate for belt tensioning.
- Non-static oil resistant V-belts.

Bearings

- Five year warranty.
- Heavy-duty ball bearing type.
- Prelubricated and permanently sealed.

Motors

- One year warranty.
- Brands are nationally recognized and locally serviced.
- Open drip-proof construction is standard.
- Optional motor enclosures and types can be specified.

Certifications

- AMCA Air Licensed.
- cULus Standard 705 Listed Power Roof Ventilator label assures electrical reliability.
- cULus label must be specified when needed.

Options/Accessories

Roof Curb: Prefabricated heavy-gauge galvanized steel, welded construction, 12" high with 1-1/2" wood nailer. Options include burglar bars, single and double pitch construction, and additional curb heights.

Dampers: Motor operated for positive closure against backdraft or automatic (counter balanced).

Motors: Two speed motors through 2HP and high efficiency motors are available.

Duct Adaptor: For ease in connecting discharge duct to fan outlet.

Side Discharge: For convenient connection to a supply duct when mounted on roof where the inside ceiling height is limited (CSF). Not available on CSF9.

Special Coatings: Epoxy, Heresite and Synthetic Resin are available when special coatings are required.

All specifications are subject to change without notice unless approved in submittal by JencoFan.

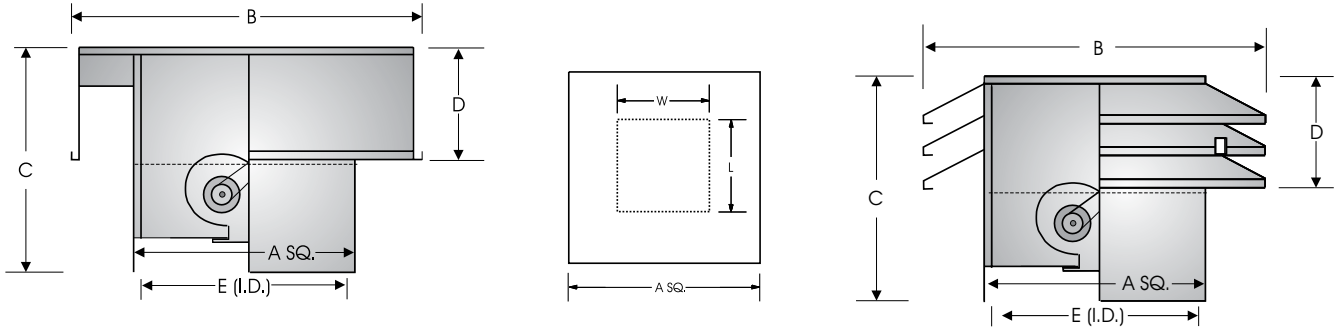


AIR PERFORMANCE

MODEL	HP	CFM	OV	RPM / BHP @ Static Pressure										HP						
				1/8	1/4	3/8	1/2	5/8	3/4	1	1-1/4	1-1/2	2							
9	1/4	375	458	389	0.02															
		475	580	394	0.02															
		575	702	406	0.03	552	0.05													
		675	825	425	0.04	558	0.06	675	0.09											
		775	947	450	0.05	569	0.08	680	0.11											
		875	1069	475	0.07	585	0.09	688	0.13	784	0.16									
		975	1191	502	0.09	606	0.12	700	0.15	791	0.18	876	0.23							
		1075	1313	533	0.11	630	0.14	717	0.17	801	0.21	883	0.25							
		1175	1435	567	0.13	656	0.17	738	0.21	816	0.24	893	0.29	967	0.33	1105	0.43			
		1275	1558	603	0.17	682	0.20	762	0.24	835	0.28	906	0.33	976	0.37	1110	0.47	1234	0.59	
		1375	1680	640	0.20	708	0.24	787	0.28	856	0.33	923	0.37	989	0.42	1118	0.52	1239	0.64	
		1475	1802	678	0.25	739	0.28	813	0.33	880	0.37	944	0.42	1005	0.47	1128	0.57	1245	0.69	
		1/3	1575	1924	716	0.30	772	0.33	838	0.38	906	0.43	966	0.48	1025	0.53	1141	0.63	1253	0.75
		1/2	1675	2046	755	0.35	807	0.39	865	0.44	932	0.49	991	0.54	1047	0.59	1156	0.70	1264	0.82
	1775		2168	794	0.42	842	0.45	895	0.50	957	0.56	1016	0.61	1070	0.66	1175	0.78	1277	0.90	
	1875		2290	833	0.48	879	0.52	927	0.57	982	0.63	1042	0.69	1095	0.74	1195	0.86	1293	0.98	
	1975		2413	872	0.56	917	0.60	961	0.65	1010	0.71	1067	0.77	1121	0.83	1218	0.95	1311	1.07	
	3/4	2075	2535	911	0.64	955	0.69	996	0.74	1041	0.79	1093	0.86	1147	0.92	1242	1.05			
		2175	2657	951	0.74	993	0.79	1032	0.83	1074	0.89	1120	0.95	1172	1.02					
	1	2275	2779	990	0.84	1031	0.89	1069	0.94	1108	0.99	1150	1.06							
2375		2901	1030	0.94	1070	1.01	1106	1.06												
10	1/4	700	674	384	0.04															
		825	795	403	0.05	531	0.08													
		950	915	424	0.06	539	0.09	649	0.14											
		1075	1035	446	0.08	555	0.12	654	0.16	749	0.20									
		1200	1156	471	0.10	575	0.14	664	0.18	753	0.23	838	0.29							
		1325	1276	496	0.12	596	0.17	681	0.21	761	0.26	841	0.32	918	0.38					
		1450	1397	522	0.15	618	0.20	701	0.25	774	0.30	848	0.36	921	0.42					
		1575	1517	552	0.19	642	0.24	722	0.29	793	0.35	860	0.40	928	0.46	1060	0.60			
	1700	1638	584	0.23	667	0.28	744	0.34	814	0.40	877	0.46	939	0.52	1065	0.66				
	1/3	1825	1758	617	0.28	692	0.33	766	0.40	835	0.46	897	0.52	955	0.58	1072	0.72	1187	0.87	
		1950	1879	651	0.33	717	0.39	790	0.45	856	0.52	918	0.58	975	0.65	1083	0.79	1193	0.95	
	1/2	2075	1999	685	0.39	744	0.45	815	0.52	879	0.59	939	0.66	996	0.73	1099	0.87	1201	1.03	
		2200	2119	720	0.46	774	0.52	841	0.59	902	0.67	961	0.74	1071	0.81	1117	0.96	1213	1.12	
	3/4	2325	2240	755	0.54	806	0.60	866	0.67	927	0.75	983	0.83	1038	0.91	1138	1.06	1229	1.22	
		2450	2360	790	0.63	838	0.68	892	0.75	952	0.84	1007	0.92	1060	1.01	1159	1.17	1248	1.33	
	1	2575	2481	825	0.72	872	0.78	919	0.85	978	0.94	1032	1.03	1082	1.12	1180	1.29	1268	1.46	
		2700	2601	860	0.82	905	0.89	949	0.96	1003	1.04	1057	1.14	1106	1.23	1201	1.41	1289	1.59	
	1-1/2	2825	2722	895	0.94	939	1.00	981	1.07	1029	1.16	1082	1.26	1131	1.35					
2950		2842	931	1.06	974	1.13	1013	1.20	1056	1.28	1107	1.38	1156	1.49						
	3075	2962	966	1.19	1008	1.27	1046	1.34	1085	1.42	1132	1.52								
	3200	3081	1002	1.34	1043	1.42	1080	1.49												
12	1/4	1150	806	354	0.06	454	0.09													
		1300	912	371	0.08	466	0.11	550	0.15											
		1450	1017	391	0.11	481	0.14	559	0.18	633	0.22									
		1600	1122	413	0.13	498	0.17	572	0.21	640	0.25	707	0.30							
		1750	1227	437	0.17	514	0.20	586	0.24	652	0.29	713	0.34							
		1900	1332	463	0.21	533	0.25	603	0.29	665	0.34	724	0.39	781	0.44					
		2050	1438	490	0.25	553	0.30	619	0.34	680	0.39	737	0.44	791	0.50	895	0.62			
		1/3	2200	1543	518	0.31	574	0.35	637	0.40	697	0.45	751	0.50	803	0.56	902	0.69	999	0.82
	1/2	2350	1648	547	0.37	598	0.41	656	0.47	713	0.51	767	0.57	817	0.63	912	0.76	1002	0.90	
		2500	1753	576	0.44	622	0.48	676	0.54	731	0.59	783	0.64	832	0.71	924	0.84	1011	0.98	
		2650	1858	606	0.52	648	0.56	697	0.62	749	0.68	800	0.73	848	0.79	937	0.93	1021	1.08	
	3/4	2800	1963	636	0.61	675	0.65	720	0.71	768	0.78	817	0.83	865	0.89	952	1.03	1033	1.18	
		2950	2069	666	0.71	703	0.75	744	0.81	789	0.88	836	0.94	882	1.00	967	1.13	1047	1.29	
	1	3100	2174	697	0.82	731	0.86	769	0.92	811	0.99	855	1.06	899	1.12	984	1.25	1061	1.41	
		3250	2279	728	0.94	759	0.98	795	1.04	834	1.11	875	1.19	918	1.26	1001	1.38	1076	1.54	
	1-1/2	3400	2384	759	1.07	788	1.11	821	1.17	858	1.24	897	1.32	937	1.40	1017	1.53	1093	1.68	
		3550	2489	790	1.22	818	1.26	849	1.31	883	1.38	919	1.47	958	1.55	1035	1.69	1109	1.84	
		3700	2595	821	1.38	848	1.42	877	1.47	908	1.54	943	1.62	979	1.71	1053	1.87			
	2	3850	2700	852	1.55	878	1.59	905	1.64	935	1.71	967	1.79	1001	1.88					
		4000	2805	884	1.74	908	1.78	934	1.83	962	1.89	992	1.97							
4150		2910	915	1.94	938	1.98	963	2.03												

Performance shown is for installation type B - free inlet, ducted outlet. Power rating (BHP) does not include drive losses. Performance ratings do not include the effects of appurtenances in the airstream.

DIMENSIONS



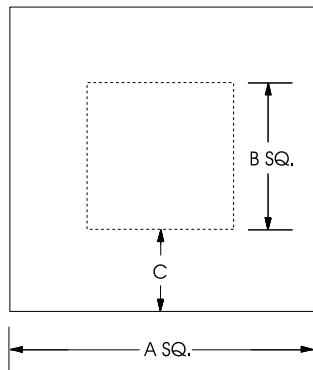
CSF

Discharge Opening

LSF

Model Size	A Housing OD	B Overall Width	C Overall Height	D Intake Height	Roof Opening	E Curb Cap ID	Damper OD	Discharge Opening	Filter Size/No.	No. Tiers	Avg. Ship Weight (lbs.)
CSF-9	24 -1/2	33-1/2	26-1/2	10-1/2	19-1/2	24 X 24	16	12 X 10-1/2	16 X 20 X 1 (4)	N/A	265
CSF-10	28-1/2	38-1/2	28-1/4	12-1/2	23-1/2	28 X 28	20	13-1/4 X 11-5/8	16 X 25 X 1 (4)	N/A	290
CSF-12	28-1/2	38-1/2	28-1/4	12-1/2	23-1/2	28 X 28	20	15-7/8 X 13-5/8	16 X 25 X 1 (4)	N/A	340
CSF-15	32-1/2	46-1/2	26	16	27-1/2	32 X 32	24	18-7/8 X 16-1/4	16 X 25 X 1 (4)	N/A	380
CSF-18	36-1/2	46-1/2	30	20	31-3/8	36 X 36	27	22-1/4 X 19	20 X 25 X 1 (4)	N/A	540
CSF-20	51-1/4	70	43	21	46	51 X 51	42	23-1/8 X 25	20 X 25 X 1 (8)	N/A	890

Model Size	A Housing OD	B Overall Width	C Overall Height	D Intake Height	Roof Opening	E Curb Cap ID	Damper OD	Discharge Opening	Filter Size/No.	No. Tiers	Avg. Ship Weight (lbs.)
LSF-9	24 -1/2	32	28-1/2	16	19-1/2	24 X 24	16	12 X 10-1/2	16 X 20 X 1 (4)	3	265
LSF-10	28-1/2	36	28-1/2	16	23-1/2	28 X 28	20	13-1/4 X 11-5/8	16 X 25 X 1 (4)	3	290
LSF-12	28-1/2	36	28-1/2	16	23-1/2	28 X 28	20	15-7/8 X 13-5/8	16 X 25 X 1 (4)	3	340
LSF-15	32-1/2	40-1/4	30	21-1/2	27-1/2	32 X 32	24	18-7/8 X 16-1/4	21-1/2 X 28 X 1 (4)	4	380
LSF-18	36-1/2	44-1/4	35	26-1/2	31-3/8	36 X 36	27	22-1/4 X 19	24 X 30 X 1 (4)	5	540
LSF-20	51-1/4	59	47	26-1/2	46	51 X 51	42	23-1/8 X 25	25-1/2 x 45-1/2 X (4)	5	890



Duct Adaptor Dimensions

Model/Size CSF/LSF	A SQ.	B SQ.	C
CSF/LSF-9	18-1/2	14-1/2	2
CSF/LSF-10	22-1/2	18-1/2	2
CSF/LSF-12	22-1/2	18-1/2	2
CSF/LSF-15	26-1/2	20-1/2	3
CSF/LSF-18	30-1/2	24-1/2	3
CSF/LSF-20	45	30	7-1/2