

# MODEL DB BELT DRIVE CENTRIFUGAL ROOF EXHAUSTERS



Model DB belt drive fans are designed to exhaust air up to 28,000 CFM in high static pressure applications to 1-1/4". The aluminum exterior provides an attractive appearance. Belt drive results in lower operating RPM and sound levels, making the Model DB well suited to applications where quiet operation is important. Belt drive also permits easy performance adjustments when needed to balance the total ventilation system. The nonoverloading backward inclined wheel with its higher static pressure capability makes this unit suitable for either ducted or nonducted applications. It's roof mounting permits location near the area to be ventilated, allowing short duct runs and more efficient operation.



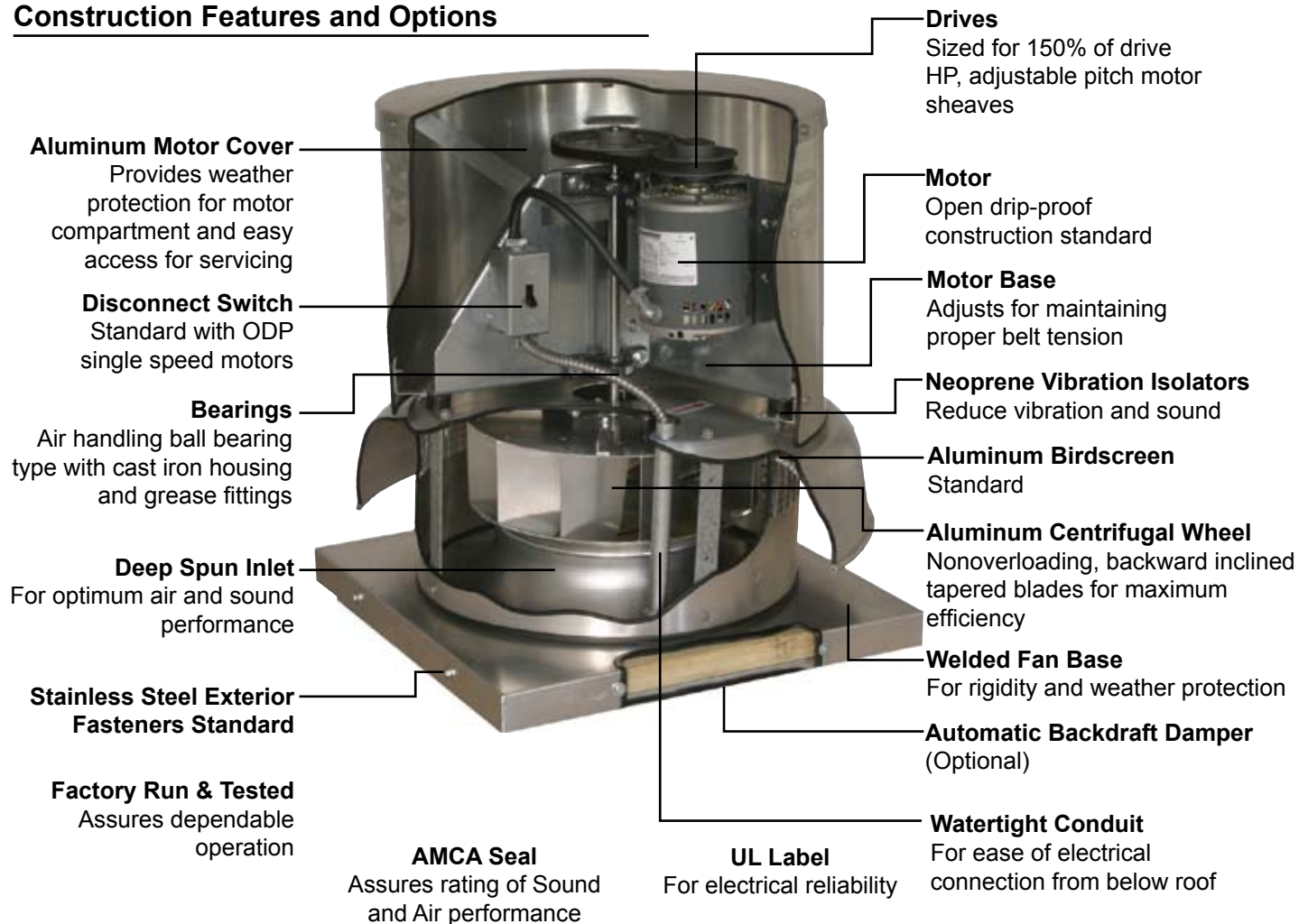
See pages 71-72

DBs are primarily used for the exhaust of relatively clean air from a wide range of commercial, industrial and institutional environments such as manufacturing and assembly plants, office buildings, schools, hospitals, restaurants, athletic facilities and many others.

Most of our line of DB fans is in-stock available for next day shipment!



## Construction Features and Options



Industry best 5 year fan housing warranty, 1 year motor warranty

## Construction/Specification Checklist

### Housing

- Curb cap with integral deep spun inlet for efficient performance.
- Heavy-gauge aluminum for extra strength.
- Designed for maximum weather protection and attractive appearance.
- Heavy-gauge motor support for rigidity and strength.
- Neoprene isolators for reduction of vibration and sound.
- Cover easily removed for quick access to motor compartment.
- Water tight conduit tube for easy electrical connection from below roof.
- Aluminum birdscreen and disconnect are included on standard models (Disconnect not included with explosion proof or two speed units).
- Stainless steel fasteners on exterior.

### Centrifugal Wheel

- All aluminum wheel.
- Backward inclined for efficiency at higher static pressure.
- Nonoverloading for safe operation in ducted systems.
- Tapered blades for efficiency and quiet operation.
- Heavy aluminum hub for extra strength.
- Statically and dynamically balanced for smooth operation.

### Motors

- 1 year warranty.
- Brands are nationally recognized and locally serviced.
- Single speed open drip-proof are standard.
- Explosion-proof, totally enclosed and two-speed motors are available.
- All motors are rated for continuous duty.
- 182T and larger motors shipped unmounted for field installation.
- Disconnect switch standard (Except explosion proof and two speed).

### Drives

- Sized for minimum 150% of drive horsepower.
- Machined cast iron adjustable motor pulleys.
- Adjustable base for belt tensioning.
- Non-static oil resistant V-Belts.

### Bearings

- Heavy duty ball bearing type.
- Pre-lubricated and permanently sealed.
- 5 year warranty.

### AMCA Seal

- Assures accuracy of Air and Sound Performance.

### cULus Label

- cULus 705 listing assures electrical safety and reliability.
- cULus 705 must be specified when required.

## Options/Accessories

**Automatic Belt Tensioner:** Available on sizes 6-48, the Automatic Belt Tensioner maintains constant tension on the drive belt. Two benefits include reduction in startup and maintenance costs by continuously tensioning the belt throughout it's life, and an increase belt life by reducing slippage.

**Roof Curb:** Prefabricated insulated heavy-gauge galvanized steel welded construction, 12" high with 1-1/2" wood nailer. Assures perfect fit of exhauster to roof curb. Options include burglar bars, single and double pitch construction and additional curb heights.

**Sound Curb:** Option of thermal acoustical lining or a complete maximum sound attenuating baffle system. Provision for mounting damper is available. Contact factory for information regarding effect on exhauster air performance and sound level.

**Motor Operated Damper:** Motor operated for positive closure against backdraft.

**Automatic Damper:** Automatic aluminum damper for ease in installation and effective backdraft protection.

**Companion Gravity Units:** Model RCX-II comes in a wide range of sizes and air capacities to provide relief or intake air to the system. Curbs and dampers are available to fit all sizes. Spun aluminum hoods provide a pleasing appearance, complementing the Model DB exhauster.

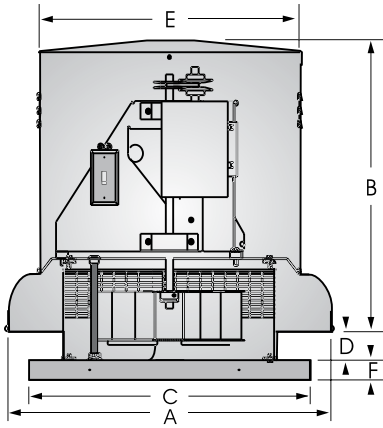
**Epoxy Finish:** For use in an alkaline type atmosphere (not for use in acetic and nitric acids). Epoxy forms an excellent hard, heavy film barrier against chemical attack as well as physical damage from direct impact and abrasion.

**Special Coatings:** Heresite and Synthetic Resin are available when specified.

All specifications are subject to change without notice unless approved in submittal by JencoFan.

# PERFORMANCE/DIMENSIONS

## SIZE 6



Damper OD	Roof Opening	Curb OD	A	B	C	D	E	F	Fan Wt	Ship Wt
11	11-1/2	14-3/4	20 -1/2	17-1/2	16-1/2	3-1/2	16-1/8	1-3/4	43	80

CFM / BHP @ Static Pressure / Sones											Drive Range	RPM	HP	Tip Speed
0	1/8	1/4	3/8	1/2	5/8	3/4	7/8	1	1-1/4	Catalog Number				
230	108	-	-	-	-	-	-	-	-	601	DP1	700	1/4	2058
.01/1.3	.01/0.7	-	-	-	-	-	-	-	-	602		750	1/4	2205
246	140	-	-	-	-	-	-	-	-	603		800	1/4	2352
.02/1.7	.02/1.1	-	-	-	-	-	-	-	-	604		850	1/4	2500
263	166	-	-	-	-	-	-	-	-	605		900	1/4	2647
.02/2.1	.02/1.5	-	-	-	-	-	-	-	-	606	DP2	950	1/4	2794
279	190	-	-	-	-	-	-	-	-	607		1000	1/4	2941
.02/2.5	.02/1.9	-	-	-	-	-	-	-	-	608		1050	1/4	3088
295	213	-	-	-	-	-	-	-	-	609		1100	1/4	3235
.03/2.9	.03/2.3	-	-	-	-	-	-	-	-	610		1150	1/4	3382
312	236	122	-	-	-	-	-	-	-	611	DP3	1200	1/4	3529
.03/3.3	.03/2.8	.03/2.2	-	-	-	-	-	-	-	612		1250	1/4	3676
328	257	160	-	-	-	-	-	-	-	613		1300	1/4	3823
.04/3.6	.04/3.1	.04/2.6	-	-	-	-	-	-	-	614		1350	1/4	3970
345	278	192	-	-	-	-	-	-	-	615		1400	1/4	4117
.04/4.0	.04/3.5	.04/3.0	-	-	-	-	-	-	-	616	DP4	1450	1/4	4264
361	298	219	-	-	-	-	-	-	-	617		1500	1/4	4411
.05/4.3	.05/3.8	.05/3.4	-	-	-	-	-	-	-	618		1550	1/4	4558
377	318	244	137	-	-	-	-	-	-	619		1600	1/4	4705
.06/4.7	.06/4.2	.06/3.8	.05/3.3	-	-	-	-	-	-	620		1650	1/4	4852
394	337	268	178	-	-	-	-	-	-	621	DP5	1700	1/4	4999
.06/5.2	.06/4.7	.07/4.3	.06/3.8	-	-	-	-	-	-	622		1750	1/4	5146
410	356	291	213	-	-	-	-	-	-	623		1800	1/4	5293
.07/5.6	.07/5.2	.07/4.8	.07/4.3	-	-	-	-	-	-	624		1850	1/4	5440
427	375	314	243	131	-	-	-	-	-	625		1900	1/4	5587
.08/6.1	.08/5.6	.08/5.2	.08/4.8	.07/4.3	-	-	-	-	-	626	1950	1/4	5734	
443	394	336	269	178	-	-	-	-	-	627	2000	1/4	5881	
.09/6.5	.09/6.1	.09/5.7	.09/5.3	.09/4.8	-	-	-	-	-	628	2050	1/4	6028	
459	412	358	295	217	-	-	-	-	-	629	2100	1/4	6175	
.10/7.0	.10/6.6	.10/6.2	.10/5.8	.10/5.3	-	-	-	-	-	630	2150	1/4	6322	
476	431	379	319	250	143	-	-	-	-	631	2200	1/4	6469	
.11/7.5	.11/7.1	.11/6.7	.11/6.3	.11/5.8	.10/5.4	-	-	-	-	632	2250	1/4	6616	
492	449	399	342	279	191	-	-	-	-	633	2300	1/4	6763	
.12/8.0	.12/7.6	.13/7.2	.13/6.8	.13/6.4	.12/6.0	-	-	-	-	634	2350	1/4	6910	
509	467	420	365	307	231	115	-	-	-	635	2400	1/4	7057	
.13/8.5	.14/8.1	.14/7.7	.14/7.3	.14/6.9	.13/6.5	.12/6.1	-	-	-	636	2450	1/4	7204	
525	485	439	388	332	266	169	-	-	-	637	2500	1/4	7351	
.15/9.0	.15/8.6	.15/8.2	.15/7.9	.15/7.5	.15/7.0	.14/6.6	-	-	-	638	2550	1/4	7498	
541	503	459	410	356	297	215	-	-	-	639	2600	1/4	7645	
.16/9.6	.17/9.2	.17/8.8	.17/8.4	.17/8.0	.17/7.6	.16/7.2	-	-	-	640	2650	1/4	7792	
558	521	478	432	380	325	255	153	-	-	641	2700	1/4	7939	
.18/10.1	.18/9.7	.18/9.4	.18/9.0	.18/8.6	.18/8.2	.18/7.8	.16/7.4	-	-	642	2750	1/4	8086	
574	539	497	453	403	352	289	203	-	-	643	2800	1/4	8233	
.19/10.7	.20/10.3	.20/9.9	.20/9.6	.20/9.2	.20/8.8	.20/8.4	.19/8.0	-	-	644	2850	1/4	8380	

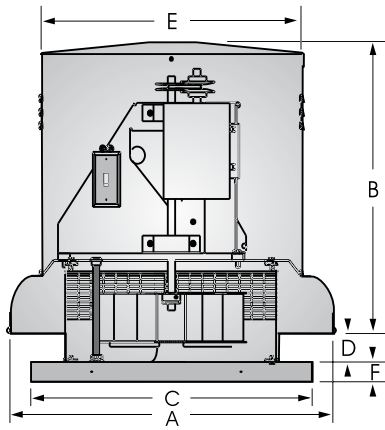
Power Ratings (BHP) does not include drive losses.  
 Performance certified is for installation type A - free inlet, free outlet.  
 Performance ratings include the effects of birdscreen in the airstream.  
 The sound ratings shown are loudness values in fan sones @ 5' (1.5m) in a hemispherical free field calculated per AMCA Standard 301. Values shown are for free inlet fan sone levels.



JencoFan, Div. of Soler & Palau Ventilation Group, certifies that the Models DB shown herein are licensed to bear the AMCA Seal. The ratings shown are based on test and procedures performed in accordance with AMCA Publication 211 and AMCA Publication 311 and comply with the requirement of the AMCA Certified Ratings Program.



SIZE 8



Damper OD	Roof Opening	Curb OD	A	B	C	D	E	F	Fan Wt	Ship Wt
11	11-1/2	14-3/4	20 -1/2	17-1/2	16-1/2	3-1/2	16-1/8	1-3/4	42	80

CFM / BHP @ Static Pressure / Sones											Drive Range	RPM	HP	Tip Speed
0	1/8	1/4	3/8	1/2	5/8	3/4	7/8	1	1-1/4	Catalog Number				
478	-	-	-	-	-	-	-	-	-	801	DP1	650	1/4	1911
.01/1.9	-	-	-	-	-	-	-	-	-	802		690	1/4	2029
508	252	-	-	-	-	-	-	-	-	803		750	1/4	2205
.01/2.2	.02/1.2	-	-	-	-	-	-	-	-	804		810	1/4	2382
552	338	-	-	-	-	-	-	-	-	805		870	1/4	2558
.02/2.8	.02/1.7	-	-	-	-	-	-	-	-	806		930	1/4	2735
596	408	-	-	-	-	-	-	-	-	807	DP2	990	1/4	2911
.02/3.3	.03/2.2	-	-	-	-	-	-	-	-	808		1050	1/4	3088
640	470	-	-	-	-	-	-	-	-	809	DP3	1110	1/4	3264
.03/3.8	.03/2.8	-	-	-	-	-	-	-	-	810		1170	1/4	3441
684	528	266	-	-	-	-	-	-	-	811	DP4	1230	1/4	3617
.04/4.4	.04/3.4	.04/2.7	-	-	-	-	-	-	-	812		1290	1/4	3793
728	586	380	-	-	-	-	-	-	-	813	DP5	1350	1/4	3970
.04/4.9	.05/4.0	.05/3.2	-	-	-	-	-	-	-	814		1410	1/4	4146
772	643	465	-	-	-	-	-	-	-	815	DP4	1470	1/4	4323
.05/5.4	.06/4.5	.06/3.8	-	-	-	-	-	-	-	816		1530	1/4	4499
816	696	538	249	-	-	-	-	-	-	817	DP5	1590	1/4	4676
.06/5.9	.07/5.2	.07/4.4	.06/3.8	-	-	-	-	-	-	818		1650	1/4	4852
861	747	604	391	-	-	-	-	-	-	819	DP5	1700	1/4	4999
.07/6.5	.08/5.8	.08/5.1	.08/4.4	-	-	-	-	-	-	820		1760	1/3	5175
905	798	664	492	-	-	-	-	-	-	821	DP5	1820	1/3	5352
.08/7.0	.09/6.4	.10/5.8	.09/5.1	-	-	-	-	-	-	822		1870	1/3	5499
949	847	723	575	312	-	-	-	-	-					
.09/7.6	.10/7.0	.11/6.4	.11/5.8	.10/5.1	-	-	-	-	-					
993	896	781	648	450	-	-	-	-	-					
.11/8.3	.12/7.6	.12/7.1	.13/6.5	.12/5.8	-	-	-	-	-					
1037	945	839	715	553	249	-	-	-	-					
.12/8.9	.13/8.3	.14/7.7	.14/7.2	.14/6.5	.12/6.0	-	-	-	-					
1081	994	895	777	638	420	-	-	-	-					
.14/9.5	.15/9.0	.16/8.4	.16/7.8	.16/7.2	.15/6.7	-	-	-	-					
1125	1041	949	837	714	542	-	-	-	-					
.16/10.3	.17/9.6	.18/9.1	.18/8.6	.18/8.0	.18/7.4	-	-	-	-					
1170	1089	1001	895	783	639	409	-	-	-					
.18/11.0	.19/10.4	.20/9.8	.20/9.3	.21/8.7	.20/8.1	.18/7.5	-	-	-					
1214	1136	1053	953	849	722	545	-	-	-					
.20/11.7	.21/11.1	.22/10.6	.23/10.0	.23/9.5	.23/8.9	.22/8.3	-	-	-					
1250	1176	1095	1002	900	785	634	394	-	-					
.22/12.4	.23/11.8	.24/11.2	.25/10.7	.25/10.2	.25/9.5	.25/8.9	.22/8.4	-	-					
1295	1223	1145	1059	960	856	726	543	-	-					
.24/13.1	.25/12.6	.26/12.0	.27/11.4	.28/10.9	.28/10.4	.28/9.7	.26/9.2	-	-					
1339	1269	1195	1114	1018	922	807	658	429	-					
.27/13.9	.28/13.3	.29/12.8	.30/12.3	.31/11.7	.31/11.2	.31/10.6	.30/10.0	.27/9.5	-					
1375	1308	1236	1159	1066	975	870	739	555	-					
.29/14.5	.30/14.0	.32/13.4	.32/13.0	.33/12.5	.33/12.0	.33/11.3	.33/10.7	.31/10.2	-					

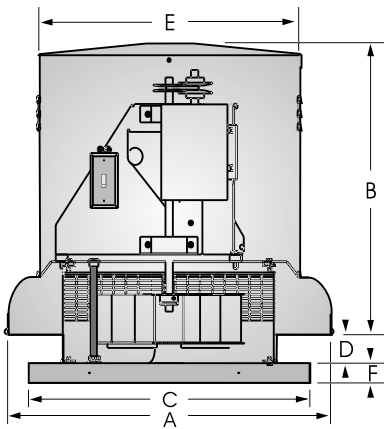
Power Ratings (BHP) does not include drive losses.  
 Performance certified is for installation type A - free inlet, free outlet.  
 Performance ratings include the effects of birdscreen in the airstream.  
 The sound ratings shown are loudness values in fan sones @ 5' (1.5m) in a hemispherical free field calculated per AMCA Standard 301. Values shown are for free inlet fan sone levels.



JencoFan, Div. of Soler & Palau Ventilation Group, certifies that the Models DB shown herein are licensed to bear the AMCA Seal. The ratings shown are based on test and procedures performed in accordance with AMCA Publication 211 and AMCA Publication 311 and comply with the requirement of the AMCA Certified Ratings Program.



SIZE 9



Damper OD	Roof Opening	Curb OD	A	B	C	D	E	F	Fan Wt	Ship Wt
11	11-1/2	14-3/4	20 -1/2	17-1/2	16-1/2	3-1/2	16-1/8	1-3/4	44	80

CFM / BHP @ Static Pressure / Sones											Drive Range	RPM	HP	Tip Speed
0	1/8	1/4	3/8	1/2	5/8	3/4	7/8	1	1-1/4	Catalog Number				
694	467	-	-	-	-	-	-	-	-	901	DP6	710	1/4	2277
.04/3.8	.03/2.6	-	-	-	-	-	-	-	-	902		750	1/4	2405
734	525	-	-	-	-	-	-	-	-	903		790	1/4	2534
.04/4.3	.04/3.1	-	-	-	-	-	-	-	-	904		830	1/4	2662
773	580	-	-	-	-	-	-	-	-	905		870	1/4	2790
.05/4.8	.05/3.6	-	-	-	-	-	-	-	-	906		910	1/4	2918
812	633	360	-	-	-	-	-	-	-	907		950	1/4	3047
.06/5.4	.05/4.2	.05/3.5	-	-	-	-	-	-	-	908		990	1/4	3175
851	683	439	-	-	-	-	-	-	-	909		1030	1/4	3303
.06/5.9	.06/4.8	.05/4.0	-	-	-	-	-	-	-	910		1070	1/4	3432
890	733	511	-	-	-	-	-	-	-	911	1110	1/4	3560	
.07/6.5	.07/5.5	.07/4.6	-	-	-	-	-	-	-	912	1150	1/4	3688	
929	781	577	-	-	-	-	-	-	-	913	1190	1/4	3816	
.08/7.0	.08/6.1	.08/5.1	-	-	-	-	-	-	-	914	1230	1/4	3945	
968	828	640	-	-	-	-	-	-	-	915	1270	1/4	4073	
.10/7.6	.09/6.7	.09/5.9	-	-	-	-	-	-	-	916	1310	1/4	4201	
1007	874	699	469	-	-	-	-	-	-	917	1350	1/4	4330	
.11/8.2	.10/7.4	.10/6.5	.09/6.0	-	-	-	-	-	-	918	1390	1/4	4458	
1046	919	756	546	-	-	-	-	-	-	919	1420	1/4	4554	
.12/8.8	.12/8.1	.11/7.3	.10/6.5	-	-	-	-	-	-	920	1470	1/3	4714	
1086	964	811	618	-	-	-	-	-	-	921	1510	1/3	4843	
.13/9.5	.13/8.9	.13/8.0	.12/7.2	-	-	-	-	-	-	922	1550	1/3	4971	
1125	1008	864	685	-	-	-	-	-	-					
.15/10.2	.15/9.6	.14/8.8	.13/8.0	-	-	-	-	-	-					
1164	1052	916	749	543	-	-	-	-	-					
.17/10.9	.16/10.3	.16/9.6	.15/8.8	.14/8.2	-	-	-	-	-					
1203	1096	966	810	621	-	-	-	-	-					
.18/11.6	.18/11.1	.18/10.4	.17/9.7	.16/8.8	-	-	-	-	-					
1242	1139	1015	868	693	-	-	-	-	-					
.20/12.2	.20/11.7	.19/11.1	.19/10.4	.18/9.6	-	-	-	-	-					
1281	1182	1064	925	761	565	-	-	-	-					
.22/12.7	.22/12.2	.21/11.7	.21/11.0	.20/10.2	.18/9.8	-	-	-	-					
1320	1224	1112	980	827	646	-	-	-	-					
.24/13.2	.24/12.8	.23/12.2	.23/11.6	.22/10.8	.20/10.2	-	-	-	-					
1359	1267	1159	1034	889	721	-	-	-	-					
.26/13.8	.26/13.4	.26/12.9	.25/12.2	.24/11.5	.23/10.7	-	-	-	-					
1399	1298	1193	1073	935	775	587	-	-	-					
.28/14.2	.28/13.8	.27/13.3	.27/12.7	.26/11.9	.25/11.2	.22/11.0	-	-	-					
1438	1351	1251	1137	1008	860	690	-	-	-					
.31/14.9	.31/14.5	.30/14.1	.30/13.4	.29/12.8	.28/12.0	.26/11.6	-	-	-					
1477	1393	1296	1188	1065	925	767	-	-	-					
.34/15.5	.33/15.1	.33/14.7	.33/14.0	.32/13.5	.31/12.7	.29/12.1	-	-	-					
1516	1434	1341	1237	1120	988	839	669	-	-					
.37/16.2	.36/15.7	.36/15.3	.35/14.7	.35/14.2	.34/13.5	.32/12.7	.29/12.6	-	-					

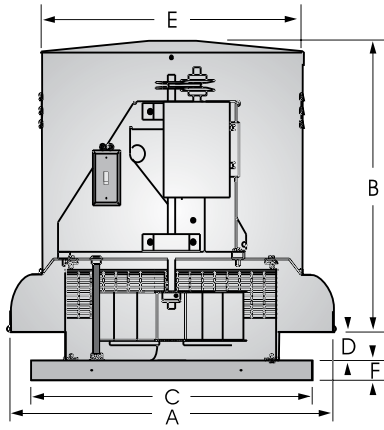
Power Ratings (BHP) does not include drive losses.  
 Performance certified is for installation type A - free inlet, free outlet.  
 Performance ratings include the effects of birdscreen in the airstream.  
 The sound ratings shown are loudness values in fan sones @ 5' (1.5m) in a hemispherical free field calculated per AMCA Standard 301. Values shown are for free inlet fan sone levels.



JenCoFan, Div. of Soler & Palau Ventilation Group, certifies that the Models DB shown herein are licensed to bear the AMCA Seal. The ratings shown are based on test and procedures performed in accordance with AMCA Publication 211 and AMCA Publication 311 and comply with the requirement of the AMCA Certified Ratings Program.



SIZE 11



Damper OD	Roof Opening	Curb OD	A	B	C	D	E	F	Fan Wt	Ship Wt
18	19-1/2	22-1/4	28-3/8	23	24	3-1/2	22-1/2	2	64	130

CFM / BHP @ Static Pressure / Sones											Drive Range	RPM	HP	Tip Speed
0	1/8	1/4	3/8	1/2	5/8	3/4	7/8	1	1-1/4	Catalog Number				
771	508	-	-	-	-	-	-	-	-	1101	DP11	670	1/4	2275
.02/3.8	.03/2.8	-	-	-	-	-	-	-	-	1102		735	1/4	2489
921	711	436	-	-	-	-	-	-	-	1103		800	1/4	2703
.04/5.5	.04/4.7	.04/4.0	-	-	-	-	-	-	-	1104		865	1/4	2918
996	804	571	-	-	-	-	-	-	-	1105		930	1/4	3132
.05/6.4	.05/5.8	.06/4.8	-	-	-	-	-	-	-	1106		995	1/4	3346
1070	894	688	405	-	-	-	-	-	-	1107	DP12	1055	1/4	3561
.06/7.4	.07/6.8	.07/6.0	.06/5.7	-	-	-	-	-	-	1108		1120	1/4	3775
1145	982	796	568	-	-	-	-	-	-	1109		1185	1/4	3989
.07/8.4	.08/7.8	.08/7.1	.08/6.6	-	-	-	-	-	-	1110		1260	1/4	4203
1214	1062	890	691	406	-	-	-	-	-	1111		1310	1/4	4418
.08/9.4	.09/8.8	.1/8.2	.1/7.5	.09/7.5	-	-	-	-	-	1112		1365	1/4	4632
1289	1146	988	810	590	-	-	-	-	-	1113	DP13	1410	1/4	4846
.1/10.6	.11/10	.12/9.5	.12/8.7	.12/8.5	-	-	-	-	-	1114		1475	1/4	5061
1364	1230	1083	921	732	473	-	-	-	-	1115		1525	1/3	5225
.12/11.8	.13/11.3	.14/10.8	.14/10.1	.14/9.5	.13/9.5	-	-	-	-	1116		1585	1/3	5390
1450	1325	1188	1041	876	678	348	-	-	-	1117		1625	1/3	5555
.14/13.1	.15/12.6	.16/12.2	.17/11.4	.17/10.8	.17/10.6	.13/10.6	-	-	-	1118		1685	1/2	5720
1508	1388	1258	1118	965	788	557	-	-	-	1119	DP14	1720	1/2	5885
.16/13.8	.17/13.3	.18/12.9	.19/12.3	.19/11.7	.19/11.3	.18/11.3	-	-	-	1120		1820	1/2	6050
1571	1456	1332	1200	1058	898	707	402	-	-	1113		1410	1/4	4846
.18/14.7	.19/14.3	.2/13.8	.21/13.3	.22/12.6	.22/12	.21/12	.17/12	-	-	1114		1475	1/4	5061
1623	1512	1393	1266	1131	982	810	586	-	-	1115		1525	1/3	5225
.2/15.5	.21/15	.22/14.6	.23/14	.24/13.4	.24/12.8	.24/12.6	.22/12.6	-	-	1116		1585	1/3	5390
1698	1592	1479	1360	1233	1096	944	765	508	-	1114	1475	1/4	5061	
.23/16.6	.24/16.2	.25/15.7	.26/15.3	.27/14.6	.28/14	.28/13.5	.27/13.5	.23/13.5	-	1115	1525	1/3	5225	
1755	1654	1545	1430	1310	1181	1040	880	680	-	1115	1525	1/3	5225	
.25/17.6	.26/17.1	.28/16.7	.29/16.3	.30/15.7	.31/15	.31/14.5	.31/14.3	.28/14.3	-	1116	1585	1/3	5390	
1824	1727	1623	1513	1399	1278	1148	1004	837	-	1116	1585	1/3	5390	
.28/18.8	.30/18.3	.31/17.9	.32/17.5	.33/17	.34/16.3	.34/15.8	.34/15.4	.33/15.4	-	1117	1625	1/3	5555	
1870	1776	1674	1568	1458	1341	1217	1081	929	437	1117	1625	1/3	5555	
.30/19.7	.32/19.2	.33/18.8	.35/18.3	.36/17.9	.37/17.2	.37/16.7	.37/16.2	.36/16.1	.28/16.1	1118	1685	1/2	5720	
1939	1849	1751	1650	1544	1434	1317	1192	1054	699	1118	1685	1/2	5720	
.34/21	.35/21	.37/20	.38/19.6	.4/19.2	.41/18.6	.41/18	.41/17.5	.41/17.3	.37/17.3	1119	1720	1/2	5885	
1980	1891	1795	1697	1594	1487	1374	1254	1123	803	1119	1720	1/2	5885	
.36/22	.38/21	.39/21	.41/20	.42/20	.43/19.4	.44/18.8	.44/18.3	.44/18	.41/18	1120	1820	1/2	6050	
2095	2012	1922	1829	1734	1634	1531	1423	1307	1045	1120	1820	1/2	6050	
.43/24	.44/24	.46/23	.48/23	.49/22	.50/22	.51/21	.52/21	.52/20	.51/20	1121	1850	1/2	6214	
2129	2048	1959	1869	1775	1678	1577	1471	1360	1109	1121	1850	1/2	6214	
.45/25	.46/24	.48/24	.50/24	.51/23	.53/23	.54/22	.54/22	.55/21	.54/21					

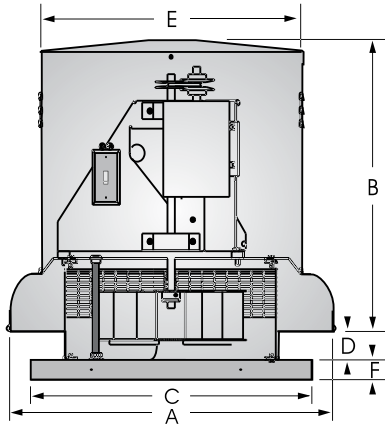
Power Ratings (BHP) does not include drive losses.  
 Performance certified is for installation type A - free inlet, free outlet.  
 Performance ratings include the effects of birdscreen in the airstream.  
 The sound ratings shown are loudness values in fan sones @ 5' (1.5m) in a hemispherical free field calculated per AMCA Standard 301. Values shown are for free inlet fan sone levels.



JencoFan, Div. of Soler & Palau Ventilation Group, certifies that the Models DB shown herein are licensed to bear the AMCA Seal. The ratings shown are based on test and procedures performed in accordance with AMCA Publication 211 and AMCA Publication 311 and comply with the requirement of the AMCA Certified Ratings Program.



SIZE 12



Damper OD	Roof Opening	Curb OD	A	B	C	D	E	F	Fan Wt	Ship Wt
18	19-1/2	22-1/4	28-3/8	23	24	3-1/2	22-1/2	2	65	130

CFM / BHP @ Static Pressure / Sones											Drive Range	RPM	HP	Tip Speed
0	1/8	1/4	3/8	1/2	5/8	3/4	7/8	1	1-1/4	Catalog Number				
959 .03/3.7	692 .03/3.0	-	-	-	-	-	-	-	-	1201	DP15	640	1/4	2371
1034 .03/4.3	792 .04/3.8	399 .04/2.8	-	-	-	-	-	-	-	1202		690	1/4	2556
1109 .04/5.0	889 .05/4.5	576 .05/3.5	-	-	-	-	-	-	-	1203		740	1/4	2742
1184 .05/5.7	982 .06/5.2	719 .06/4.2	-	-	-	-	-	-	-	1204		790	1/4	2927
1259 .06/6.4	1072 .07/5.9	839 .08/5.1	467 .07/4.2	-	-	-	-	-	-	1205		840	1/4	3112
1334 .07/7.0	1159 .08/6.6	947 .09/6.0	653 .09/4.9	-	-	-	-	-	-	1206		890	1/4	3297
1409 .08/7.6	1244 .09/7.2	1049 .10/6.8	805 .11/5.8	390 .08/4.9	-	-	-	-	-	1207		940	1/4	3483
1484 .10/8.3	1329 .11/7.9	1148 .12/7.5	937 .13/6.6	621 .12/5.7	-	-	-	-	-	1208		990	1/4	3668
1559 .11/9.0	1412 .13/8.6	1244 .14/8.3	1052 .14/7.5	794 .14/6.6	369 .11/5.8	-	-	-	-	1209		1040	1/4	3853
1634 .13/9.7	1494 .14/9.3	1339 .16/9.0	1160 .16/8.5	943 .17/7.5	627 .15/6.6	-	-	-	-	1210		1090	1/4	4038
1709 .15/10.4	1576 .16/10.1	1430 .18/9.8	1262 .19/9.5	1075 .19/8.4	813 .18/7.5	409 .14/6.7	-	-	-	1211		1140	1/4	4224
1784 .17/11.2	1657 .18/10.9	1519 .20/10.6	1362 .21/10.3	1191 .22/9.4	971 .22/8.4	669 .19/7.6	-	-	-	1212		1190	1/4	4409
1859 .19/12.0	1737 .21/11.7	1607 .22/11.4	1459 .24/11.1	1300 .24/10.5	1113 .25/9.4	861 .24/8.5	495 .19/7.8	-	-	1213		1240	1/4	4594
1919 .21/12.7	1801 .23/12.3	1676 .24/12.1	1536 .26/11.8	1383 .27/11.4	1215 .27/10.3	992 .27/9.3	699 .24/8.5	-	-	1214		1280	1/4	4742
1979 .23/13.2	1865 .25/13.1	1744 .26/12.7	1611 .28/12.5	1465 .29/12.2	1308 .30/11.2	1112 .30/10.2	861 .28/9.3	495 .22/8.6	-	1215		1320	1/3	4891
2039 .25/13.9	1929 .27/13.6	1812 .29/13.5	1686 .30/13.1	1545 .32/12.9	1397 .32/12.1	1223 .33/11.0	999 .31/10.1	709 .28/9.3	-	1216		1360	1/3	5039
2084 .27/14.4	1976 .29/14.1	1862 .30/13.9	1740 .32/13.7	1603 .33/13.4	1461 .34/12.8	1301 .35/11.7	1094 .34/10.8	839 .32/9.9	-	1217	1390	1/3	5150	
2159 .30/15.2	2055 .32/15.0	1946 .34/14.8	1830 .35/14.5	1701 .37/14.4	1565 .38/14.0	1419 .38/12.9	1242 .38/11.9	1022 .37/11.1	-	1218	1440	1/2	5335	
2219 .33/15.9	2118 .35/15.7	2012 .36/15.5	1900 .38/15.3	1777 .40/15.1	1646 .41/15.0	1509 .42/13.9	1350 .42/12.9	1151 .41/12.0	579 .32/10.3	1219	1480	1/2	5483	
2279 .35/16.7	2181 .37/16.4	2078 .39/16.2	1970 .41/16.0	1853 .43/15.8	1726 .44/15.7	1595 .45/14.8	1451 .45/13.9	1272 .45/13.0	791 .39/11.3	1220	1520	1/2	5632	
2339 .38/17.4	2243 .40/17.2	2144 .42/17.0	2039 .44/16.8	1927 .46/16.6	1804 .47/16.4	1679 .48/15.9	1544 .49/14.8	1385 .49/13.8	961 .45/12.2	1221	1560	1/2	5780	
2399 .41/18.1	2306 .43/17.9	2209 .45/17.8	2108 .47/17.6	2001 .49/17.4	1882 .51/17.2	1760 .52/16.9	1633 .52/15.9	1489 .53/14.8	1109 .50/13.1	1222	1600	1/2	5928	

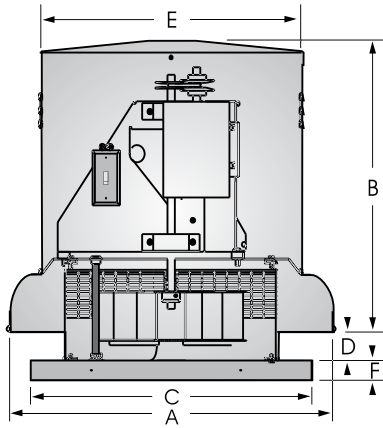
Power Ratings (BHP) does not include drive losses.  
 Performance certified is for installation type A - free inlet, free outlet.  
 Performance ratings include the effects of birdscreen in the airstream.  
 The sound ratings shown are loudness values in fan sones @ 5' (1.5m) in a hemispherical free field calculated per AMCA Standard 301. Values shown are for free inlet fan sone levels.



JencoFan, Div. of Soler & Palau Ventilation Group, certifies that the Models DB shown herein are licensed to bear the AMCA Seal. The ratings shown are based on test and procedures performed in accordance with AMCA Publication 211 and AMCA Publication 311 and comply with the requirement of the AMCA Certified Ratings Program.



SIZE 14



Damper OD	Roof Opening	Curb OD	A	B	C	D	E	F	Fan Wt	Ship Wt
18	19-1/2	22-1/4	28-3/8	23	24	3-1/2	22-1/2	2	71	140

CFM / BHP @ Static Pressure / Sones											Drive Range	RPM	HP	Tip Speed	
0	1/8	1/4	3/8	1/2	5/8	3/4	7/8	1	1-1/4	Catalog Number					
996	514	-	-	-	-	-	-	-	-	1401	DP20	435	1/4	1732	
.02/2.3	.02/1.2	-	-	-	-	-	-	-	-	1402		475	1/4	1891	
1088	710	-	-	-	-	-	-	-	-	1403		525	1/4	2090	
.03/2.9	.03/1.9	-	-	-	-	-	-	-	-	1404		575	1/4	2289	
1203	901	-	-	-	-	-	-	-	-	1405		DP21	625	1/4	2488
.04/3.6	.04/2.7	-	-	-	-	-	-	-	-	1406			675	1/4	2687
1317	1060	-	-	-	-	-	-	-	-	1407		DP22	725	1/4	2886
.05/4.3	.05/3.6	-	-	-	-	-	-	-	-	1408			775	1/4	3085
1432	1206	791	-	-	-	-	-	-	-	1409		DP23	825	1/4	3284
.06/5.0	.07/4.5	.06/3.4	-	-	-	-	-	-	-	1410			875	1/4	3483
1546	1343	1018	-	-	-	-	-	-	-	1411	DP24	925	1/4	3682	
.08/5.9	.08/5.4	.08/4.3	-	-	-	-	-	-	-	1412		975	1/4	3881	
1661	1475	1213	-	-	-	-	-	-	-	1413	DP25	1025	1/3	4080	
.10/6.7	.10/6.2	.10/5.3	-	-	-	-	-	-	-	1414		1075	1/3	4279	
1775	1604	1381	1017	-	-	-	-	-	-	1415	DP25	1125	1/2	4478	
.12/7.4	.13/7.0	.13/6.3	.11/5.3	-	-	-	-	-	-	1416		1175	1/2	4677	
1890	1731	1535	1240	-	-	-	-	-	-	1417	DP25	1225	1/2	4876	
.15/8.2	.15/7.8	.15/7.3	.14/6.3	-	-	-	-	-	-	1418		1260	3/4	5016	
2004	1857	1680	1439	1065	-	-	-	-	-	1419	DP25	1300	3/4	5175	
.18/9.0	.18/8.6	.18/8.2	.18/7.2	.16/6.4	-	-	-	-	-	1420		1350	3/4	5374	
2119	1981	1819	1613	1311	-	-	-	-	-	1421	DP25	1375	3/4	5473	
.21/9.9	.21/9.5	.22/9.1	.21/8.3	.20/7.4	-	-	-	-	-	1422		1400	3/4	5573	
2233	2103	1953	1773	1525	1168	-	-	-	-	1423					
.24/10.9	.25/10.4	.25/10.0	.25/9.4	.24/8.5	.22/7.7	-	-	-	-						
2348	2225	2085	1923	1714	1425	-	-	-	-						
.28/11.8	.29/11.4	.29/11.0	.29/10.5	.29/9.6	.27/8.8	-	-	-	-						
2462	2346	2215	2067	1885	1642	1328	-	-	-						
.33/12.8	.33/12.4	.34/12.0	.34/11.7	.34/10.7	.32/9.9	.29/9.1	-	-	-						
2577	2466	2343	2206	2044	1840	1571	-	-	-						
.37/13.7	.38/13.4	.39/13.1	.39/12.6	.39/12.0	.38/11.1	.36/10.3	-	-	-						
2692	2586	2470	2341	2195	2018	1788	1510	-	-						
.42/14.8	.43/14.5	.44/14.1	.44/13.7	.44/13.2	.44/12.3	.42/11.5	.39/10.8	-	-						
2806	2705	2595	2474	2340	2183	1988	1740	1408	-						
.48/15.9	.49/15.5	.50/15.2	.50/14.8	.50/14.4	.50/13.6	.49/12.8	.46/12.0	.42/11.3	-						
2886	2788	2682	2566	2439	2292	2116	1893	1633	-						
.52/16.7	.53/16.3	.54/15.9	.55/15.6	.55/15.2	.54/14.5	.54/13.7	.52/12.9	.48/12.2	-						
2978	2883	2781	2670	2550	2414	2254	2058	1818	-						
.57/17.6	.58/17.2	.59/16.8	.60/16.5	.60/16.1	.60/15.5	.59/14.7	.58/13.9	.55/13.3	-						
3092	3001	2904	2799	2685	2560	2417	2247	2036	-						
.64/18.7	.65/18.3	.66/18.0	.67/17.6	.67/17.3	.67/16.9	.67/16.0	.66/15.3	.64/14.5	-						
3150	3060	2965	2862	2752	2632	2495	2335	2141	1621						
.68/19.3	.69/19.0	.70/18.6	.71/18.2	.71/17.8	.71/17.5	.71/16.7	.70/16.0	.68/15.2	.60/13.9						
3207	3119	3026	2926	2819	2703	2572	2420	2240	1782						
.72/19.9	.73/19.6	.74/19.2	.74/18.8	.75/18.5	.75/18.1	.75/17.4	.74/16.6	.72/15.9	.66/14.5						

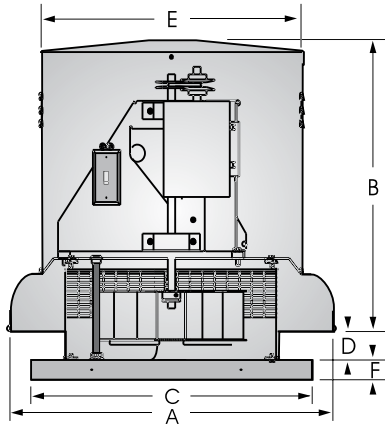
Power Ratings (BHP) does not include drive losses.  
 Performance certified is for installation type A - free inlet, free outlet.  
 Performance ratings include the effects of birdscreen in the airstream.  
 The sound ratings shown are loudness values in fan sones @ 5' (1.5m) in a hemispherical free field calculated per AMCA Standard 301. Values shown are for free inlet fan sone levels.



JencoFan, Div. of Soler & Palau Ventilation Group, certifies that the Models DB shown herein are licensed to bear the AMCA Seal. The ratings shown are based on test and procedures performed in accordance with AMCA Publication 211 and AMCA Publication 311 and comply with the requirement of the AMCA Certified Ratings Program.



SIZE 16



Dimensional Data										
Damper OD	Roof Opening	Curb OD	A	B	C	D	E	F	Fan Wt	Ship Wt
18	19-1/2	22-1/4	32-1/4	24	24	6	26-1/4	2-1/2	79	145

CFM / BHP @ Static Pressure / Sones											Drive Range	RPM	HP	Tip Speed
0	1/8	1/4	3/8	1/2	5/8	3/4	7/8	1	1-1/4	Catalog Number				
1578	851	-	-	-	-	-	-	-	-	1601	DP26	425	1/4	2030
.04/2.9	.04/1.8	-	-	-	-	-	-	-	-	1602		465	1/4	2221
1726	1118	-	-	-	-	-	-	-	-	1603	DP27	505	1/4	2413
.05/3.6	.05/2.6	-	-	-	-	-	-	-	-	1604		545	1/4	2604
1875	1338	-	-	-	-	-	-	-	-	1605	DP28	585	1/4	2795
.06/4.3	.07/3.3	-	-	-	-	-	-	-	-	1606		625	1/4	2986
2023	1540	-	-	-	-	-	-	-	-	1607	DP29	665	1/4	3177
.07/5.0	.08/4.1	-	-	-	-	-	-	-	-	1608		705	1/4	3368
2172	1733	1065	-	-	-	-	-	-	-	1609	DP31	745	1/4	3559
.09/5.8	.10/4.9	.10/4.0	-	-	-	-	-	-	-	1610		785	1/4	3750
2320	1918	1378	-	-	-	-	-	-	-	1611	DP31	800	1/4	3822
.11/6.5	.12/5.7	.12/4.8	-	-	-	-	-	-	-	1612		825	1/3	3941
2469	2098	1624	-	-	-	-	-	-	-	1613	DP31	845	1/3	4037
.13/7.2	.15/6.4	.15/5.6	-	-	-	-	-	-	-	1614		870	1/3	4156
2617	2273	1844	1188	-	-	-	-	-	-	1615	DP31	900	1/2	4300
.16/8.0	.17/7.2	.18/6.4	.17/6.2	-	-	-	-	-	-	1616		930	1/2	4430
2766	2444	2050	1543	-	-	-	-	-	-	1617	DP31	960	1/2	4586
.19/8.7	.20/7.9	.21/7.2	.21/6.5	-	-	-	-	-	-	1618		1000	1/2	4778
2914	2612	2248	1814	984	-	-	-	-	-	1619	DP31	1060	3/4	5064
.22/9.5	.24/8.7	.25/8.0	.25/7.4	.20/7.2	-	-	-	-	-	1620		1090	3/4	5207
2970	2674	2320	1905	1205	-	-	-	-	-	1621	DP31	1120	3/4	5351
.23/9.8	.25/9.0	.26/8.3	.26/7.7	.23/7.5	-	-	-	-	-	1622		1155	3/4	5518
3063	2776	2440	2049	1484	-	-	-	-	-	1622				
.26/10.3	.27/9.5	.29/8.8	.29/8.2	.27/7.7	-	-	-	-	-					
3137	2857	2533	2159	1663	-	-	-	-	-					
.28/10.7	.29/10.0	.31/9.2	.31/8.6	.30/8.1	-	-	-	-	-					
3230	2958	2649	2293	1853	965	-	-	-	-					
.30/11.2	.32/10.4	.33/9.8	.34/9.1	.34/8.6	.25/8.5	-	-	-	-					
3341	3079	2786	2448	2054	1417	-	-	-	-					
.33/11.9	.35/11.1	.37/10.4	.38/9.8	.37/9.3	.33/9.1	-	-	-	-					
3453	3198	2920	2599	2236	1731	-	-	-	-					
.37/12.5	.39/11.8	.40/11.1	.42/10.5	.42/9.9	.40/9.6	-	-	-	-					
3564	3318	3053	2746	2407	1979	1181	-	-	-					
.40/13.2	.43/12.5	.44/11.8	.46/11.1	.46/10.7	.45/10.2	.36/9.9	-	-	-					
3712	3476	3228	2939	2623	2256	1712	-	-	-					
.46/14.0	.48/13.4	.50/12.7	.51/12.1	.52/11.5	.51/11.2	.48/11.0	-	-	-					
3935	3711	3484	3219	2932	2617	2230	1615	-	-					
.54/15.5	.57/14.8	.59/14.1	.60/13.6	.62/13.1	.62/12.6	.60/13.0	.54/12.8	-	-					
4047	3829	3610	3356	3081	2783	2436	1950	1021	-					
.59/16.2	.62/15.6	.64/15.0	.65/14.3	.67/13.8	.67/13.4	.66/13.6	.63/14.4	.45/14.2	-					
4158	3946	3734	3492	3227	2943	2626	2217	1542	-					
.64/17.0	.67/16.4	.69/15.8	.71/15.2	.72/14.6	.73/14.2	.72/14.3	.70/15.1	.60/14.9	-					
4288	4082	3878	3648	3395	3125	2831	2480	1980	-					
.70/17.9	.73/17.3	.75/16.7	.77/16.2	.79/15.7	.79/15.1	.79/15.0	.78/15.9	.73/15.9	-					

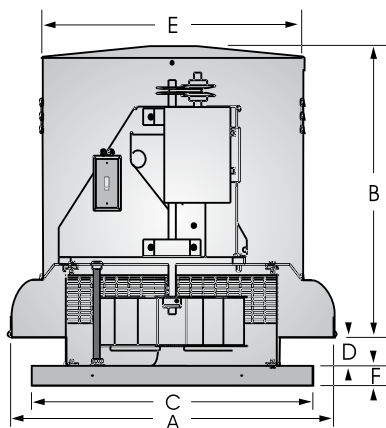
Power Ratings (BHP) does not include drive losses.  
 Performance certified is for installation type A - free inlet, free outlet.  
 Performance ratings include the effects of birdscreen in the airstream.  
 The sound ratings shown are loudness values in fan sones @ 5' (1.5m) in a hemispherical free field calculated per AMCA Standard 301. Values shown are for free inlet fan sone levels.



JencoFan, Div. of Soler & Palau Ventilation Group, certifies that the Models DB shown herein are licensed to bear the AMCA Seal. The ratings shown are based on test and procedures performed in accordance with AMCA Publication 211 and AMCA Publication 311 and comply with the requirement of the AMCA Certified Ratings Program.



SIZE 18



Dimensional Data										
Damper OD	Roof Opening	Curb OD	A	B	C	D	E	F	Fan Wt	Ship Wt
24	24-3/4	27-3/4	32-1/4	24	29-1/2	4-1/2	26-1/4	2-1/2	96	160

CFM / BHP @ Static Pressure / Sones											Drive Range	RPM	HP	Tip Speed
0	1/8	1/4	3/8	1/2	5/8	3/4	7/8	1	1-1/4	Catalog Number				
2031	1663	1054	-	-	-	-	-	-	-	1801	DP32	535	1/4	2556
.09/6.4	.10/5.4	.08/5.6	-	-	-	-	-	-	-	1802		580	1/4	2771
2372	2077	1679	-	-	-	-	-	-	-	1803		625	1/4	2986
2543	2274	1924	1431	-	-	-	-	-	-	1804		670	1/4	3201
.18/9.4	.19/8.5	.19/7.6	.17/7.8	-	-	-	-	-	-	1805		715	1/4	3416
2714	2465	2151	1740	-	-	-	-	-	-	1806		760	1/3	3631
.22/10.5	.23/9.6	.23/8.7	.22/9.0	-	-	-	-	-	-	1807		805	1/3	3846
2885	2653	2369	2024	1531	-	-	-	-	-	1808		850	1/2	4061
.26/11.5	.27/10.6	.27/9.8	.27/9.0	.24/8.8	-	-	-	-	-	1809		895	1/2	4276
3056	2838	2579	2274	1873	-	-	-	-	-	1810		940	1/2	4491
.31/12.5	.32/11.6	.33/10.8	.32/10.0	.30/9.8	-	-	-	-	-	1811	DP34	985	3/4	4706
3226	3022	2785	2507	2168	1715	-	-	-	-	1812		1030	3/4	4921
.37/13.4	.38/12.7	.38/11.8	.38/11.1	.37/11.0	.34/10.8	-	-	-	-	1813	DP35	1075	3/4	5136
3397	3204	2986	2729	2437	2061	-	-	-	-	1814		1120	1	5351
.43/14.3	.44/13.6	.45/13.0	.45/12.3	.44/11.5	.42/11.3	-	-	-	-	1815	DP36	1165	1	5566
3568	3385	3183	2944	2681	2358	1965	-	-	-	1816		1210	1-1/2	5781
.50/15.5	.51/14.7	.52/14.0	.52/13.4	.51/12.9	.50/12.8	.46/12.6	-	-	-	1817	DP37	1255	1-1/2	5996
3739	3564	3375	3155	2912	2635	2288	1676	-	-	1818		1300	1-1/2	6211
.58/16.7	.59/16.0	.60/15.3	.60/14.6	.59/14.0	.58/13.5	.56/13.3	.47/13.1	-	-	1819	1345	1-1/2	6426	
3910	3743	3565	3361	3135	2886	2585	2235	-	-	1820	1390	2	6641	
.66/17.9	.67/17.2	.68/16.6	.68/15.9	.68/15.3	.67/14.7	.65/14.4	.62/14.1	-	-	1821	1435	2	6856	
4080	3922	3752	3563	3351	3123	2863	2544	2167	-	1822	1480	2	7071	
.75/19.1	.76/18.5	.77/17.8	.78/17.2	.77/16.6	.77/16.0	.76/15.5	.73/15.3	.68/15.1	-	1823				
4251	4099	3938	3762	3562	3350	3117	2840	2524	-	1824				
.85/21	.86/19.8	.87/19.1	.88/18.6	.88/18.0	.87/17.4	.86/16.9	.84/16.5	.81/16.1	-	1825				
4422	4276	4123	3957	3770	3570	3356	3115	2824	-	1826				
.95/22	.97/21	.98/21	.99/19.9	.99/19.3	.98/18.8	.98/18.2	.96/17.7	.93/17.3	-	1827				
4593	4452	4306	4149	3975	3784	3585	3368	3116	2508	1828				
1.07/23	1.08/23	1.10/22	1.10/21	1.11/21	1.10/20	1.10/19.6	1.09/19.1	1.07/18.7	.99/18.5	1829				
4764	4628	4488	4339	4176	3995	3808	3607	3386	2841	1830				
1.19/25	1.21/24	1.22/23	1.23/23	1.23/22	1.23/22	1.23/21	1.22/21	1.21/20	1.14/19.7	1831				
4935	4804	4669	4527	4373	4204	4025	3837	3635	3140	1832				
1.32/26	1.34/25	1.36/25	1.37/24	1.37/24	1.37/23	1.37/23	1.36/22	1.35/22	1.29/21	1833				
5105	4979	4849	4713	4569	4408	4237	4061	3873	3434	1834				
1.47/28	1.48/27	1.50/26	1.51/26	1.52/25	1.52/25	1.52/24	1.51/24	1.50/23	1.46/22	1835				
5276	5154	5029	4898	4761	4610	4447	4279	4104	3709	1836				
1.62/29	1.64/29	1.65/28	1.67/27	1.67/27	1.68/26	1.68/26	1.67/25	1.67/25	1.63/24	1837				
5447	5329	5208	5082	4951	4809	4655	4493	4327	3964	1838				
1.78/31	1.80/30	1.82/30	1.83/29	1.84/28	1.84/28	1.85/27	1.84/27	1.84/26	1.81/25	1839				
5618	5504	5386	5265	5139	5005	4859	4704	4546	4206	1840				
1.95/32	1.97/32	1.99/31	2.01/31	2.02/30	2.02/29	2.02/29	2.02/28	2.02/28	2.00/27	1841				

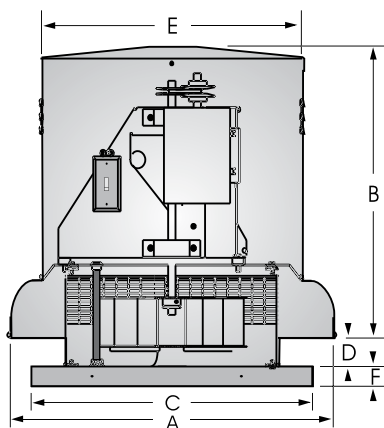
Power Ratings (BHP) does not include drive losses.  
 Performance certified is for installation type A - free inlet, free outlet.  
 Performance ratings include the effects of birdscreen in the airstream.  
 The sound ratings shown are loudness values in fan sones @ 5' (1.5m) in a hemispherical free field calculated per AMCA Standard 301. Values shown are for free inlet fan sone levels.



JencoFan, Div. of Soler & Palau Ventilation Group, certifies that the Models DB shown herein are licensed to bear the AMCA Seal. The ratings shown are based on test and procedures performed in accordance with AMCA Publication 211 and AMCA Publication 311 and comply with the requirement of the AMCA Certified Ratings Program.



SIZE 20



Dimensional Data										
Damper OD	Roof Opening	Curb OD	A	B	C	D	E	F	Fan Wt	Ship Wt
24	24-3/4	27-3/4	36-3/4	24-1/2	29-1/2	4-1/2	26-1/4	2-1/2	98	215

CFM / BHP @ Static Pressure / Sones											Drive Range	RPM	HP	Tip Speed	
0	1/8	1/4	3/8	1/2	5/8	3/4	7/8	1	1-1/4	Catalog Number					
.09/5.4	.10/3.9	.09/3.7	-	-	-	-	-	-	-	2001	DP42	DP38	440	1/4	2460
.12/6.2	.13/4.8	.12/4.6	-	-	-	-	-	-	-	2002			480	1/4	2683
.15/7.0	.16/5.8	.16/5.1	.13/4.7	-	-	-	-	-	-	2003	DP40	DP39	520	1/4	2907
.19/7.9	.20/7.0	.21/6.2	.18/5.9	-	-	-	-	-	-	2004			560	1/4	3130
.23/9.1	.25/8.2	.25/7.3	.25/6.9	.20/6.0	-	-	-	-	-	2005	DP41	DP40	600	1/4	3354
.28/9.7	.29/8.8	.30/8.2	.30/7.5	.27/7.2	-	-	-	-	-	2006			635	1/3	3550
.32/10.2	.33/9.4	.34/8.7	.35/8.2	.33/8.3	.26/7.8	-	-	-	-	2007	DP42	DP40	665	1/3	3717
.37/10.8	.38/10.1	.40/9.4	.40/9.0	.39/8.5	.35/8.2	-	-	-	-	2008			700	1/2	3913
.42/11.6	.43/10.6	.45/10.0	.46/9.6	.45/9.2	.42/8.9	.35/8.7	-	-	-	2009	DP42	DP41	730	1/2	4081
.47/12.3	.49/11.2	.51/10.7	.51/10.2	.52/9.9	.50/9.5	.45/9.3	-	-	-	2010			760	1/2	4248
.55/13.2	.57/12.3	.59/11.7	.60/11.2	.60/10.9	.59/10.5	.56/10.4	.49/10.3	-	-	2011	DP42	DP43	800	3/4	4472
.64/14.1	.66/13.4	.67/13.0	.69/12.5	.70/12.0	.70/11.6	.67/11.3	.62/11.1	.52/10.8	-	2012			840	3/4	4696
.72/14.9	.74/14.4	.76/13.9	.78/13.5	.79/13.2	.79/12.7	.78/12.4	.74/12.3	.68/10.9	-	2013	DP42	DP43	875	3/4	4891
.82/16.2	.84/15.7	.86/15.2	.88/14.7	.90/14.3	.90/14.0	.90/13.6	.88/13.4	.83/12.9	-	2014			915	1	5115
.92/17.3	.94/16.8	.96/16.4	.98/15.9	1.00/15.5	1.01/15.1	1.01/14.7	1.00/14.4	.96/13.9	.80/13.0	2015	DP44	DP43	950	1	5311
1.03/18.4	1.05/17.9	1.07/17.5	1.09/17.1	1.11/16.7	1.12/16.3	1.12/15.9	1.12/15.5	1.10/15.4	.98/15.1	2016			985	1	5506
1.17/19.9	1.20/19.4	1.22/19.0	1.24/18.5	1.26/18.1	1.28/17.8	1.28/17.4	1.28/17.1	1.28/16.8	1.19/16.7	2017	DP44	DP43	1030	1-1/2	5758
1.30/21	1.32/21	1.35/20	1.37/19.8	1.39/19.4	1.41/19.0	1.42/18.6	1.42/18.3	1.42/18.0	1.36/17.8	2018			1065	1-1/2	5953
1.43/22	1.45/22	1.48/22	1.50/21	1.53/21	1.55/20	1.56/19.9	1.56/19.5	1.56/19.2	1.53/19.1	2019	DP44	DP43	1100	1-1/2	6149
1.59/24	1.62/24	1.64/23	1.67/23	1.69/22	1.71/22	1.73/21	1.74/21	1.74/21	1.73/20	2020			1140	2	6373
1.74/25	1.77/25	1.80/24	1.82/24	1.85/24	1.87/23	1.89/23	1.90/22	1.91/22	1.90/21	2021	DP44	DP43	1175	2	6568
1.90/27	1.93/26	1.96/26	1.98/25	2.01/25	2.04/25	2.06/24	2.07/24	2.08/24	2.08/24	2022			1210	2	6764

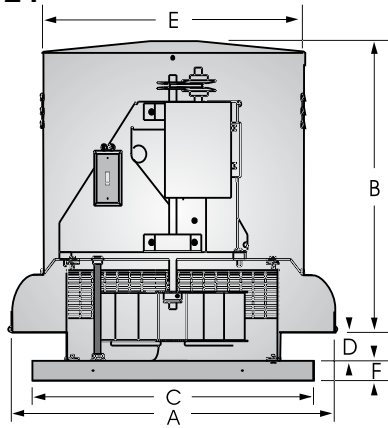
Power Ratings (BHP) does not include drive losses.  
 Performance certified is for installation type A - free inlet, free outlet.  
 Performance ratings include the effects of birdscreen in the airstream.  
 The sound ratings shown are loudness values in fan sones @ 5' (1.5m) in a hemispherical free field calculated per AMCA Standard 301. Values shown are for free inlet fan sone levels.



JencoFan, Div. of Soler & Palau Ventilation Group, certifies that the Models DB shown herein are licensed to bear the AMCA Seal. The ratings shown are based on test and procedures performed in accordance with AMCA Publication 211 and AMCA Publication 311 and comply with the requirement of the AMCA Certified Ratings Program.



SIZE 24



Dimensional Data										
Damper OD	Roof Opening	Curb OD	A	B	C	D	E	F	Fan Wt	Ship Wt
30	30-3/4	33-3/4	41-1/4	26-1/2	35-3/4	8-1/2	30	2-1/2	155	290

CFM / BHP @ Static Pressure / Sones											Drive Range	RPM	HP	Tip Speed
0	1/8	1/4	3/8	1/2	5/8	3/4	7/8	1	1-1/4	Catalog Number				
3286 .09/5.1	2405 .10/3.9	-	-	-	-	-	-	-	-	2401	DP45	330	1/4	2102
3634 .12/6.1	2914 .14/5.2	-	-	-	-	-	-	-	-	2402		365	1/4	2325
3983 .16/7.2	3364 .18/6.6	1948 .15/4.8	-	-	-	-	-	-	-	2403	DP46	400	1/4	2548
4480 .23/9.0	3949 .25/8.4	3090 .25/6.9	-	-	-	-	-	-	-	2404		450	1/4	2867
4680 .26/9.7	4176 .28/9.2	3453 .29/7.8	1852 .22/6.8	-	-	-	-	-	-	2405	DP47	470	1/3	2994
4879 .30/10.2	4400 .32/9.7	3751 .33/8.6	2388 .27/7.3	-	-	-	-	-	-	2406		490	1/3	3121
5376 .40/11.7	4952 .42/11.3	4436 .44/10.8	3483 .41/9.0	2055 .32/8.6	-	-	-	-	-	2407	DP48	540	1/2	3440
5576 .44/12.4	5169 .47/11.9	4688 .49/11.5	3972 .48/9.8	2614 .40/8.8	-	-	-	-	-	2408		560	1/2	3567
5874 .52/13.4	5493 .55/12.9	5048 .57/12.5	4447 .57/11.2	3296 .50/9.9	1791 .38/9.8	-	-	-	-	2409	DP49	590	3/4	3758
6073 .57/14.2	5706 .60/13.5	5282 .63/13.2	4735 .63/12.1	3702 .57/10.6	2487 .48/10.8	-	-	-	-	2410		610	3/4	3886
6422 .68/15.6	6078 .71/14.9	5683 .74/14.3	5219 .75/13.8	4557 .73/12.2	3374 .63/11.3	1906 .49/11.1	-	-	-	2411	DP50	645	3/4	4109
6770 .80/17.0	6447 .83/16.4	6077 .86/15.9	5670 .88/15.3	5117 .87/14.0	4097 .79/13.1	3051 .70/12.4	-	-	-	2412		680	1	4332
7069 .91/18.3	6761 .94/17.7	6412 .97/17.2	6033 .99/16.7	5549 1.00/15.5	4848 .96/14.6	3773 .85/14.0	2570 .72/13.8	-	-	2413	DP51	710	1	4523
7467 1.07/20	7177 1.10/19.5	6854 1.14/19.0	6502 1.16/18.5	6096 1.18/17.9	5566 1.17/16.7	4594 1.07/16.0	3685 .97/15.4	2423 .80/15.3	-	2414		750	1-1/2	4778
7816 1.22/22	7540 1.26/21	7235 1.30/21	6904 1.33/20	6545 1.35/19.7	6077 1.35/18.6	5479 1.32/17.8	4451 1.18/17.2	3518 1.07/16.6	-	2415	DP52	785	1-1/2	5000
8164 1.40/23	7902 1.43/23	7613 1.47/22	7299 1.51/22	6968 1.53/21	6567 1.54/21	6073 1.53/19.7	5180 1.42/19.0	4360 1.31/18.4	-	2416		820	1-1/2	5223
8513 1.58/25	8262 1.62/24	7988 1.66/24	7691 1.70/24	7380 1.73/23	7029 1.74/23	6587 1.74/22	6059 1.71/21	5077 1.56/20	3286 1.29/20	2417	855	2	5446	
8961 1.85/27	8723 1.89/27	8467 1.93/26	8190 1.97/26	7899 2.00/26	7590 2.03/25	7218 2.04/24	6775 2.02/24	6180 1.97/23	4490 1.69/22	2418	900	2	5733	
9210 2.00/28	8979 2.05/28	8731 2.09/28	8464 2.13/27	8182 2.17/27	7888 2.19/27	7550 2.21/26	7136 2.20/25	6665 2.18/25	5053 1.91/23	2419	925	3	5892	
9558 2.24/30	9337 2.28/30	9099 2.33/29	8846 2.37/29	8576 2.41/28	8299 2.44/28	7998 2.47/28	7631 2.47/27	7211 2.46/26	5760 2.22/25	2420	960	3	6115	
9757 2.38/31	9541 2.43/30	9309 2.47/30	9062 2.52/30	8800 2.56/29	8530 2.59/29	8243 2.62/29	7902 2.63/28	7503 2.62/27	6189 2.42/26	2421	980	3	6243	
9956 2.53/31	9744 2.58/31	9518 2.63/31	9278 2.67/30	9023 2.71/30	8760 2.75/30	8483 2.78/30	8166 2.79/29	7789 2.79/28	6753 2.67/27	2422	1000	3	6370	

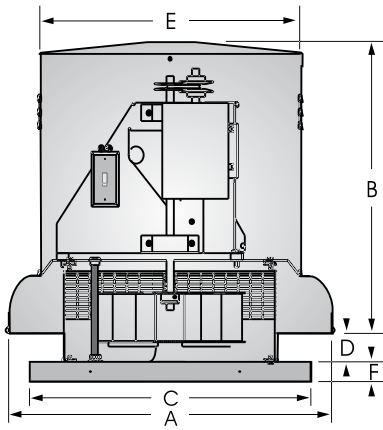
Power Ratings (BHP) does not include drive losses. Performance certified is for installation type A - free inlet, free outlet. Performance ratings include the effects of birdscreen in the airstream. The sound ratings shown are loudness values in fan sones @ 5' (1.5m) in a hemispherical free field calculated per AMCA Standard 301. Values shown are for free inlet fan sone levels.



JencoFan, Div. of Soler & Palau Ventilation Group, certifies that the Models DB shown herein are licensed to bear the AMCA Seal. The ratings shown are based on test and procedures performed in accordance with AMCA Publication 211 and AMCA Publication 311 and comply with the requirement of the AMCA Certified Ratings Program.



SIZE 30



Dimensional Data										
Damper OD	Roof Opening	Curb OD	A	B	C	D	E	F	Fan Wt	Ship Wt
36	37-1/4	40-3/4	58-3/8	37	42-1/2	5-1/2	41	2-1/2	265	465

CFM / BHP @ Static Pressure / Sones											Drive Range	RPM	HP	Tip Speed	
0	1/8	1/4	3/8	1/2	5/8	3/4	7/8	1	1-1/4	Catalog Number					
4068 .09/2.7	2456 .09/2.5	-	-	-	-	-	-	-	-	3001	DP53	235	1/3	1871	
4588 .13/3.4	3300 .14/3.2	-	-	-	-	-	-	-	-	3002		265	1/3	2110	
5107 .18/4.2	4015 .19/3.6	1930 .15/3.4	-	-	-	-	-	-	-	3003		DP54	295	1/3	2349
5626 .24/5.0	4681 .26/4.1	3220 .24/3.6	-	-	-	-	-	-	-	3004			325	1/3	2588
6146 .32/5.8	5311 .34/4.7	4149 .33/5.0	-	-	-	-	-	-	-	3005		DP55	355	1/3	2827
6665 .40/6.6	5916 .43/5.3	4921 .43/6.2	3455 .38/6.1	-	-	-	-	-	-	3006			385	1/2	3066
7098 .49/7.3	6406 .51/5.9	5512 .52/6.6	4350 .49/6.4	2246 .38/6.8	-	-	-	-	-	3007		DP56	410	1/2	3265
7531 .58/8.1	6888 .61/6.7	6081 .62/7.1	5087 .60/7.0	3601 .53/6.9	-	-	-	-	-	3008			435	3/4	3464
8050 .71/9.1	7456 .74/7.6	6735 .76/7.7	5866 .75/8.5	4743 .71/8.2	2961 .59/8.1	-	-	-	-	3009		DP57	465	3/4	3703
8483 .83/9.8	7925 .86/8.4	7262 .89/8.2	6468 .89/8.9	5528 .85/8.8	4179 .77/8.0	-	-	-	-	3010			490	1	3902
8916 .97/10.6	8388 1.00/9.2	7775 1.03/8.7	7047 1.03/9.4	6215 1.01/9.2	5132 .95/8.6	3571 .82/8.8	-	-	-	3011	DP58	515	1	4101	
9608 1.21/12.0	9124 1.25/10.6	8574 1.30/9.5	7937 1.30/10.2	7213 1.28/11.0	6385 1.25/9.0	5286 1.17/8.9	3788 1.02/8.7	-	-	3012		555	1-1/2	4419	
10214 1.46/13.2	9761 1.49/11.7	9257 1.55/10.6	8683 1.55/11.0	8030 1.55/11.7	7315 1.53/12.6	6472 1.48/12.4	5352 1.38/12.2	3860 1.21/21.6	-	3013	DP59	590	1-1/2	4698	
10820 1.73/14.5	10395 1.77/13.1	9928 1.84/11.8	9405 1.84/11.7	8817 1.85/12.6	8171 1.84/13.3	7460 1.80/13.0	6604 1.74/12.8	5497 1.62/12.7	-	3014		625	2	4977	
11339 1.99/15.6	10936 2.03/14.2	10496 2.07/13.1	10010 2.10/12.6	9469 2.13/13.2	8871 2.12/14.0	8231 2.10/14.8	7507 2.05/14.6	6617 196/14.0	4024 1.61/13.8	3015	DP60	655	2	5215	
11859 2.28/16.7	11474 2.32/15.4	11058 2.36/14.3	10605 2.40/13.4	10104 2.43/14.0	9552 2.43/14.7	8960 2.42/15.4	8319 2.38/15.1	7584 2.32/14.7	5573 2.07/14.5	3016		685	3	5454	
12378 2.59/17.9	12011 2.64/16.5	11617 2.68/15.4	11190 2.72/14.4	10724 2.75/14.8	10213 2.77/15.4	9660 2.76/16.1	9076 2.73/16.9	8434 2.69/16.8	6767 2.49/17.9	3017	715	3	5693		
12897 2.93/19.1	12546 2.98/17.9	12171 3.02/16.7	11768 3.06/15.7	11332 3.10/15.6	10857 3.13/16.2	10343 3.13/16.9	9798 3.11/17.6	9220 3.07/18.5	7827 2.93/19.4	3018	745	3	5932		
13330 3.24/20	12991 3.29/18.9	12630 3.33/17.8	12245 3.37/16.8	11831 3.41/16.4	11383 3.45/16.9	10899 3.46/17.6	10381 3.45/18.3	9841 3.42/19.1	8602 3.31/19.8	3019	770	5	6131		
13936 3.70/22	13612 3.75/20	13270 3.80/19.4	12907 3.84/18.3	12520 3.88/17.4	12104 3.92/18.0	11657 3.95/18.6	11179 3.95/19.3	10676 3.93/19.9	9580 3.84/21	3020	805	5	6410		
14542 4.20/23	14232 4.26/22	13907 4.31/21	13563 4.35/19.9	13199 4.40/19.0	12811 4.44/19.1	12396 4.48/19.6	11954 4.49/20	11485 4.48/21	10487 4.41/22	3021	840	5	6689		
15148 4.75/24	14851 4.81/23	14540 4.86/22	14214 4.91/22	13871 4.96/21	13507 5.00/20	13120 5.04/21	12709 5.07/21	12273 5.08/22	11344 5.03/23	3022	875	5	6967		

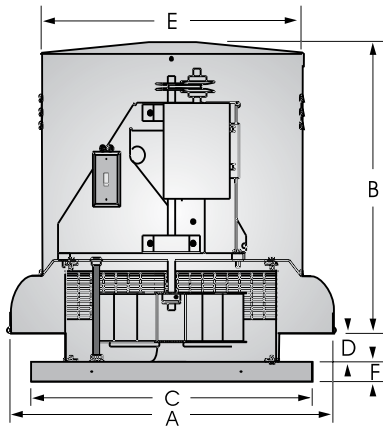
Power Ratings (BHP) does not include drive losses.  
 Performance certified is for installation type A - free inlet, free outlet.  
 Performance ratings include the effects of birdscreen in the airstream.  
 The sound ratings shown are loudness values in fan sones @ 5' (1.5m) in a hemispherical free field calculated per AMCA Standard 301. Values shown are for free inlet fan sone levels.



JencoFan, Div. of Soler & Palau Ventilation Group, certifies that the Models DB shown herein are licensed to bear the AMCA Seal. The ratings shown are based on test and procedures performed in accordance with AMCA Publication 211 and AMCA Publication 311 and comply with the requirement of the AMCA Certified Ratings Program.



SIZE 36



Dimensional Data										
Damper OD	Roof Opening	Curb OD	A	B	C	D	E	F	Fan Wt	Ship Wt
36	37-1/4	40-3/4	58-3/8	37	42-1/2	10	41	2-1/2	275	475

CFM / BHP @ Static Pressure / Sones											Drive Range	RPM	HP	Tip Speed	
0	1/8	1/4	3/8	1/2	5/8	3/4	7/8	1	1-1/4	Catalog Number					
5995 .16/3.9	3550 .14/3.0	-	-	-	-	-	-	-	-	3601	DP61	210	1/2	1945	
6708 .22/4.9	4887 .22/4.1	-	-	-	-	-	-	-	-	3602		235	1/2	2177	
7422 .30/5.9	5964 .31/5.2	-	-	-	-	-	-	-	-	3603		260	1/2	2408	
8136 .40/7.0	6868 .42/6.4	4443 .35/5.6	-	-	-	-	-	-	-	3604		285	1/2	2640	
8849 .51/8.2	7708 .53/7.7	5686 .48/6.8	-	-	-	-	-	-	-	3605		310	1/2	2871	
9420 .62/9.2	8361 .64/8.8	6793 .62/8.0	4157 .49/7.1	-	-	-	-	-	-	3606		330	3/4	3057	
10134 .77/10.1	9166 .80/9.7	7936 .80/9.1	5730 .68/8.3	-	-	-	-	-	-	3607		355	3/4	3288	
10562 .87/10.7	9646 .90/10.3	8521 .91/9.7	6450 .80/8.9	3321 .57/8.8	-	-	-	-	-	3608		370	1	3427	
10990 .98/11.3	10122 1.02/10.8	9075 1.02/10.3	7268 .94/9.7	5137 .80/9.0	-	-	-	-	-	3609		385	1	3566	
11418 1.10/11.9	10593 1.14/11.4	9607 1.15/10.9	8102 1.09/10.3	6133 .96/9.7	-	-	-	-	-	3610		400	1-1/2	3705	
11846 1.23/12.6	11060 1.27/12.0	10120 1.28/11.6	8852 1.25/10.9	6860 1.10/10.4	3994 .84/10.2	-	-	-	-	3611	DP62	415	1-1/2	3844	
12275 1.37/13.3	11524 1.41/12.8	10623 1.43/12.2	9521 1.41/11.6	7583 1.26/11.1	5709 1.11/10.5	-	-	-	-	3612		430	1-1/2	3983	
12703 1.52/14.3	11985 1.56/13.6	11118 1.58/13.0	10124 1.57/12.4	8417 1.45/11.8	6731 1.31/11.3	-	-	-	-	3613		445	1-1/2	4122	
13416 1.79/15.5	12747 1.83/15.0	11931 1.86/14.6	11059 1.86/14.0	9774 1.79/13.3	7958 1.62/12.7	6170 1.44/12.2	-	-	-	3614		470	2	4353	
13987 2.03/16.7	13351 2.08/16.2	12574 2.10/15.7	11770 2.11/15.2	10712 2.08/14.6	8982 1.90/14.1	7516 1.76/13.5	4507 1.34/13.2	-	-	3615		490	2	4539	
14558 2.29/17.9	13953 2.34/17.4	13218 2.37/17.0	12453 2.38/16.5	11540 2.37/15.9	10114 2.23/15.2	8485 2.05/14.7	6849 1.86/14.2	-	-	3616		DP63	510	3	4724
15272 2.64/19.4	14701 2.69/18.9	14015 2.73/18.5	13287 2.74/18.1	12489 2.74/17.6	11391 2.67/17.0	9739 2.47/16.4	8401 2.32/15.8	6406 2.03/15.6	-	3617			535	3	4955
15986 3.03/21	15445 3.09/21	14803 3.12/20	14106 3.14/19.7	13387 3.15/19.3	12494 3.12/18.7	11151 2.96/18.2	9603 2.75/17.6	8338 2.59/17.1	-	3618			560	3	5187
16556 3.36/22	16038 3.42/22	15427 3.47/22	14754 3.49/21	14078 3.50/21	13283 3.49/20	12187 3.38/19.5	10640 3.15/19.0	9371 2.99/18.5	-	3619			580	5	5372
17698 4.11/25	17218 4.17/25	16663 4.22/24	16040 4.25/24	15416 4.27/24	14752 4.28/23	13951 4.25/23	12842 4.10/22	8936 3.85/21	8936 3.47/20	3620			DP64	620	5
18269 4.52/26	17806 4.59/26	17275 4.64/26	16680 4.67/25	16072 4.69/25	15450 4.70/25	14727 4.69/24	13803 4.60/24	12509 4.37/23	10068 3.97/22	3621	640			5	5928
18840 4.96/28	18393 5.03/27	17884 5.08/27	17315 5.12/27	16722 5.14/27	16130 5.16/26	15470 5.15/26	14678 5.11/25	13586 4.93/25	11030 4.46/23	3622	660			5	6113

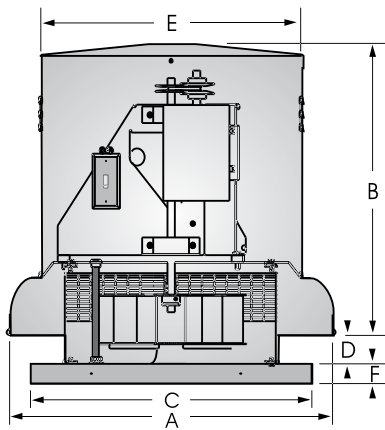
Power Ratings (BHP) does not include drive losses.  
 Performance certified is for installation type A - free inlet, free outlet.  
 Performance ratings include the effects of birdscreen in the airstream.  
 The sound ratings shown are loudness values in fan sones @ 5' (1.5m) in a hemispherical free field calculated per AMCA Standard 301. Values shown are for free inlet fan sone levels.



JencoFan, Div. of Soler & Palau Ventilation Group, certifies that the Models DB shown herein are licensed to bear the AMCA Seal. The ratings shown are based on test and procedures performed in accordance with AMCA Publication 211 and AMCA Publication 311 and comply with the requirement of the AMCA Certified Ratings Program.



SIZE 42



Dimensional Data										
Damper OD	Roof Opening	Curb OD	A	B	C	D	E	F	Fan Wt	Ship Wt
48	50-1/4	53-1/4	73	40-1/2	55	10	54-5/8	2-1/2	425	700

CFM / BHP @ Static Pressure / Sones											Drive Range	RPM	HP	Tip Speed
0	1/8	1/4	3/8	1/2	5/8	3/4	7/8	1	1-1/4	Catalog Number				
8498 .22/4.8	4889 .20/4.4	-	-	-	-	-	-	-	-	4201	DP68	180	1/2	1966
9206 .28/5.5	6287 .28/5.1	-	-	-	-	-	-	-	-	4202		195	1/2	2129
9914 .35/6.3	7461 .36/5.9	-	-	-	-	-	-	-	-	4203		210	1/2	2293
10622 .43/7.1	8475 .45/6.8	-	-	-	-	-	-	-	-	4204		225	1/2	2457
11330 .52/7.9	9396 .55/7.6	4910 .40/7.4	-	-	-	-	-	-	-	4205		240	1/2	2621
12275 .66/9.0	10579 .70/8.8	7451 .62/8.6	-	-	-	-	-	-	-	4206		260	3/4	2839
12983 .78/9.8	11450 .83/9.5	8825 .78/9.2	-	-	-	-	-	-	-	4207		275	3/4	3003
13691 .92/10.5	12288 .97/10.2	10034 .94/9.9	4980 .63/9.8	-	-	-	-	-	-	4208		290	1	3167
14399 1.07/11.4	13101 1.12/11.0	11116 1.12/10.7	7740 .95/10.5	-	-	-	-	-	-	4209		305	1	3331
15343 1.29/12.7	14142 1.35/12.3	12411 1.36/11.9	9744 1.25/11.7	-	-	-	-	-	-	4210		325	1-1/2	3549
16051 1.48/13.6	14909 1.54/13.2	13323 1.56/12.9	11079 1.48/12.6	7073 1.16/12.6	-	-	-	-	-	4211	340	1-1/2	3713	
16760 1.68/14.6	15670 1.75/14.3	14209 1.78/13.9	12276 1.73/13.6	9251 1.51/13.5	-	-	-	-	-	4212	DP73	355	2	3877
17468 1.91/15.7	16424 1.97/15.4	15097 2.01/15.1	13368 1.99/14.7	10756 1.81/14.6	-	-	-	-	-	4213		370	2	4040
17940 2.07/16.4	16925 2.13/16.0	15681 2.18/15.8	14051 2.17/15.5	11690 2.02/15.4	7879 1.61/15.3	-	-	-	-	4214		380	2	4150
18884 2.41/17.7	17921 2.47/17.5	16818 2.54/17.2	15321 2.54/16.9	13399 2.44/16.7	10674 2.19/16.6	-	-	-	-	4215		400	3	4368
20064 2.89/19.6	19158 2.96/19.4	18187 3.04/19.1	16827 3.05/18.9	15279 3.01/18.6	13084 2.82/18.5	10122 2.46/18.5	-	-	-	4216	425	3	4641	
20536 3.10/20	19650 3.17/20	18722 3.26/19.9	17415 3.27/19.7	15970 3.25/19.4	13969 3.08/19.3	11354 2.79/19.2	-	-	-	4217	435	5	4750	
21245 3.43/22	20388 3.50/21	19503 3.59/21	18303 3.62/21	16950 3.61/21	15203 3.49/21	12874 3.23/20	9401 2.69/20	-	-	4218	450	5	4914	
21953 3.78/23	21123 3.85/23	20276 3.95/22	19182 4.00/22	17883 3.99/22	16350 3.91/22	14281 3.69/22	11720 3.34/22	-	-	4219	465	5	5078	
22897 4.29/24	22101 4.36/24	21297 4.47/24	20323 4.53/24	19089 4.53/24	17764 4.50/24	16014 4.33/23	13804 4.04/23	10779 3.51/23	-	4220	485	5	5296	
23605 4.71/26	22832 4.78/26	22057 4.88/25	21158 4.96/25	19975 4.96/25	18753 4.95/25	17204 4.82/25	15217 4.57/25	12857 4.20/25	-	4221	500	5	5460	
23841 4.85/26	23076 4.92/26	22309 5.02/26	21432 5.11/26	20267 5.11/25	19070 5.11/25	17584 4.99/25	15675 4.75/25	13399 4.40/25	-	4222	505	5	5515	

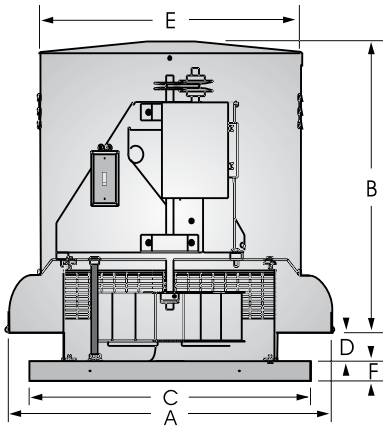
Power Ratings (BHP) does not include drive losses.  
 Performance certified is for installation type A - free inlet, free outlet.  
 Performance ratings include the effects of birdscreen in the airstream.  
 The sound ratings shown are loudness values in fan sones @ 5' (1.5m) in a hemispherical free field calculated per AMCA Standard 301. Values shown are for free inlet fan sone levels.



JencoFan, Div. of Soler & Palau Ventilation Group, certifies that the Models DB shown herein are licensed to bear the AMCA Seal. The ratings shown are based on test and procedures performed in accordance with AMCA Publication 211 and AMCA Publication 311 and comply with the requirement of the AMCA Certified Ratings Program.



SIZE 48



Dimensional Data										
Damper OD	Roof Opening	Curb OD	A	B	C	D	E	F	Fan Wt	Ship Wt
48	50-1/4	53-1/4	73	40-1/2	55	113	54-5/8	2-1/2	550	830

CFM / BHP @ Static Pressure / Sones											Drive Range	RPM	HP	Tip Speed
0	1/8	1/4	3/8	1/2	5/8	3/4	7/8	1	1-1/4	Catalog Number				
9953	5916									4801	DP75	165	1/2	2037
0.34/4.5	0.29/4.5									4802		175	1/2	2161
10557	6969									4803	DP76	190	1/2	2347
0.41/5.0	0.37/5.0									4804		200	3/4	2470
11462	8336									4805	DP77	220	3/4	2655
0.52/5.9	0.49/5.7									4806		230	1	2841
12065	9166									4807	DP78	240	1	2964
0.61/6.4	0.58/6.3									4808		255	1-1/2	3149
13271	10719	6702								4809	DP79	280	1-1/2	3335
0.81/7.6	0.79/7.5	0.64/7.5								4810		290	2	3582
13875	11459	7978								4811	DP80	305	2	3705
0.93/8.2	0.91/8.1	0.78/8.0								4812		320	3	3952
14478	12182	9095								4813	DP81	325	3	4014
1.06/8.9	1.04/8.8	0.93/8.6								4814		345	3	4261
15383	13243	10571	6153							4815	DP82	365	5	4508
1.27/9.6	1.25/9.6	1.16/9.3	0.9/9.6							4816		375	5	4631
16891	14963	12732	9568							4817	DP81	395	5	4878
1.68/10.9	1.67/10.9	1.59/10.6	1.4/10.8							4818		415	5	5310
17494	15638	13535	10717	6483						4819	DP82	430	7-1/2	5434
1.87/11.4	1.85/11.4	1.78/11.1	1.62/11.2	1.27/11.8						4820		440	7-1/2	5619
18399	16641	14696	12255	8622						4821	DP82	455	7-1/2	5804
2.17/12.2	2.16/12.2	2.1/12.0	1.95/12.1	1.65/12.6						4822		470	7-1/2	5990
19304	17632	15818	13645	10639	6682									
2.51/13.1	2.5/13.1	2.44/13.0	2.32/12.9	2.06/13.4	1.66/13.7									
19605	17961	16186	14085	11250	7354									
2.63/13.4	2.62/13.4	2.56/13.4	2.44/13.3	2.21/13.7	1.8/14.1									
20812	19267	17627	15762	13440	10204									
3.14/14.9	3.14/14.9	3.09/14.9	2.98/14.7	2.79/14.8	2.44/15.3									
22018	20560	19033	17344	15351	12772	9329								
3.72/16.5	3.72/16.5	3.67/16.5	3.58/16.3	3.42/16.2	3.14/16.6	2.71/17.0								
22622	21204	19726	18109	16240	13902	10767								
4.03/17.3	4.03/17.3	3.99/17.3	3.9/17.1	3.75/16.9	3.5/17.2	3.09/17.7								
23828	22483	21094	19600	17926	15941	13412	10186							
4.72/18.9	4.72/18.9	4.68/18.9	4.6/18.8	4.46/18.6	4.25/18.6	3.92/19.0	3.43/19.3							
25034	23755	22443	21051	19525	17782	15680	12999	9847						
5.47/21	5.47/21	5.44/21	5.36/21	5.24/20	5.06/20	4.79/20	4.37/21	3.83/21						
25939	24705	23445	22117	20682	19077	17201	14891	12003						
6.08/22	6.09/22	6.06/22	5.99/22	5.88/22	5.71/21	5.47/22	5.11/22	4.6/22						
26543	25337	24108	22820	21438	19909	18154	16042	13404						
6.52/23	6.52/23	6.49/23	6.43/23	6.32/23	6.16/22	5.94/22	5.61/23	5.14/23						
27447	26282	25097	23864	22551	21121	19514	17637	15351	9773					
7.21/25	7.21/25	7.19/25	7.13/25	7.03/24	6.88/24	6.67/24	6.38/24	5.98/24	4.83/25					
28352	27224	26081	24896	23645	22297	20809	19114	17107	11869					
7.94/26	7.95/26	7.93/26	7.87/26	7.78/26	7.64/25	7.45/25	7.19/25	6.83/25	5.73/26					

Power Ratings (BHP) does not include drive losses.  
 Performance certified is for installation type A - free inlet, free outlet.  
 Performance ratings include the effects of birdscreen in the airstream.  
 The sound ratings shown are loudness values in fan sones @ 5' (1.5m) in a hemispherical free field calculated per AMCA Standard 301. Values shown are for free inlet fan sone levels.



JencoFan, Div. of Soler & Palau Ventilation Group, certifies that the Models DB shown herein are licensed to bear the AMCA Seal. The ratings shown are based on test and procedures performed in accordance with AMCA Publication 211 and AMCA Publication 311 and comply with the requirement of the AMCA Certified Ratings Program.

