

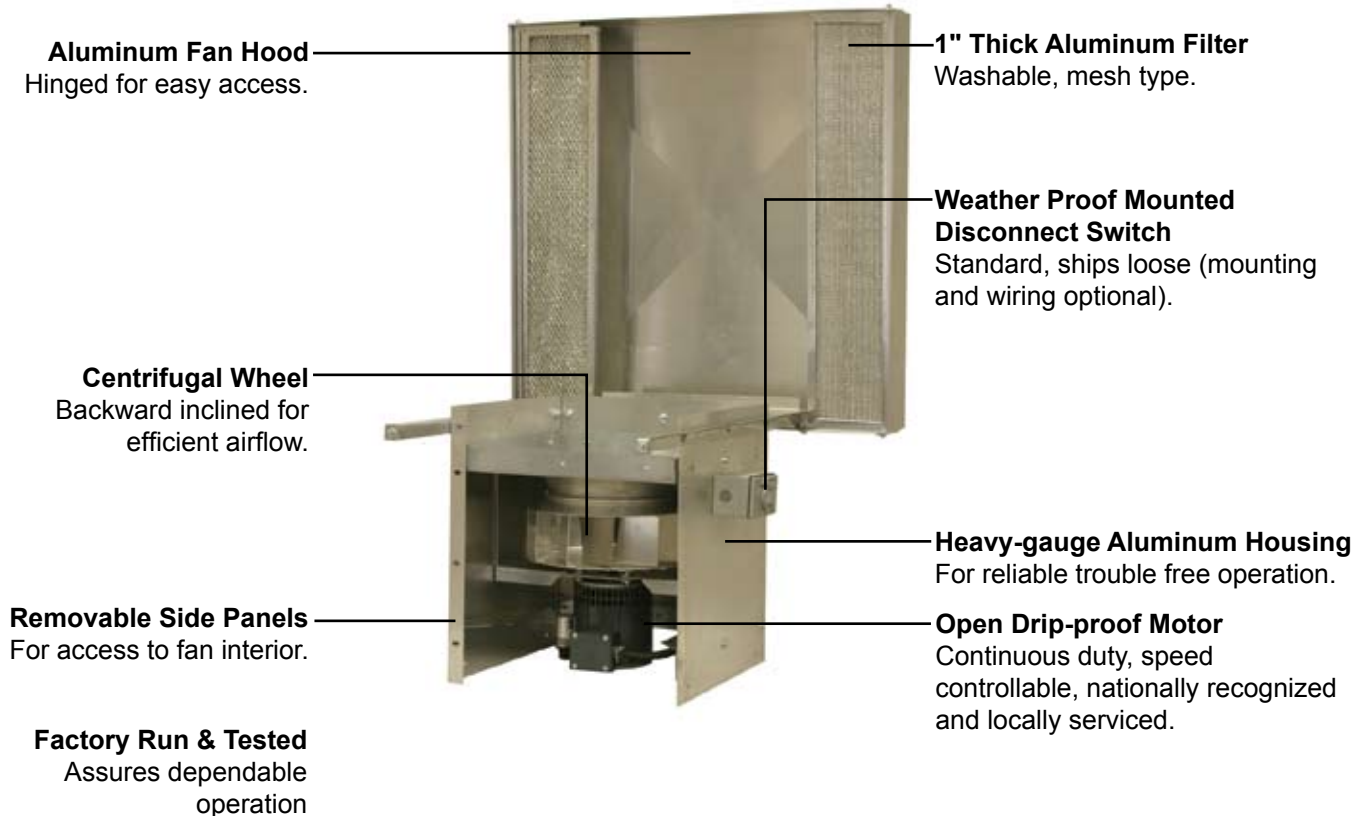
MODEL SRT CENTRIFUGAL FILTERED SUPPLY FAN



Model SRT fans are roof curb mounted filtered supply fans rated up to 1256 CFM, with static pressure capabilities to 1". Model SRT's rugged design with heavy-gauge aluminum construction provides maximum weather protection, long life and the utmost in performance efficiency. The backward inclined centrifugal blower provides efficient air flow at low sound levels with higher static pressure capabilities to handle ducted air systems. Filters are washable and are reusable to reduce maintenance cost. Easy access hood makes routine cleaning and maintenance fast and easy.

The primary use of these fans is filtered make-up air in commercial and industrial applications such as manufacturing, restaurants, kitchens and assembly areas.

Construction Features and Options



1 year fan housing warranty, 1 year motor warranty

Construction / Specification Checklist

Wheel/Housing

- Statically and dynamically balanced backward inclined wheel.
- Matching spun aluminum inlet.
- 18-gauge galvanized steel structural support.
- Prepunched mounting holes.
- Conduit opening for wiring from below unit.
- Removable side panels for access to motor and wheel.

Hood

- Easy access heavy-gauge aluminum hood.
- Oversized for weather protection.
- 1" washable aluminum mesh filters.

Speed Controllable Motors

- 1 Year warranty.
- Brands are nationally recognized and locally serviced.
- Open drip-proof construction is standard.
- All motors are rated for continuous duty.
- Motors ship mounted as standard.
- Standard NEMA3 disconnect switch (ships loose).

Options/Accessories

RoofCurb: Prefabricated heavy-gauge galvanized steel, welded construction, 12" high with 1 1/2" wood nailer. Options include single and double pitch construction and additional curb heights.

Dampers: Motor operated for positive closure backdraft or automatic (counter balanced).

Solid State Speed Control (ships loose): JencoFan's solid state speed control is matched to the motor and wheel to allow continuous reduction in performance allowing adjustments of airflow for system balancing. CFM is reduced in direct proportion to motor speed reduction. Speed control is available for 115 or 230 volt single phase. Fan performance can be controlled from the ventilated area.

Special Coatings: Epoxy, Heresite and synthetic resin are available when special coatings are required.

All specifications are subject to change without notice unless approved in submittal by JencoFan.

PERFORMANCE/DIMENSIONS

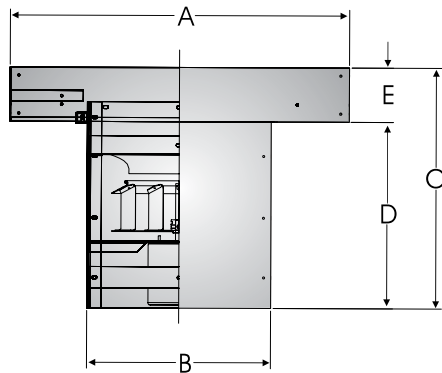
CFM / BHP @ Static Pressure / Sones									HP	RPM	Tip Speed
0	1/8	1/4	3/8	1/2	5/8	3/4	1	Catalog Number			
1026 .21/10.4	945 .20/9.9	853 .20/9.5	748 .19/9.1	623 .18/9.1	471 .16/9.2	269 .12/8.9	-	SRT1025S+	1/4	1340	4294
1057 .23/10.8	978 .23/10.4	890 .22/10.0	790 .22/9.6	673 .21/9.5	534 .19/9.6	357 .16/9.5	-	SRT1025S+	1/4	1380	4422
1088 .25/11.3	1011 .25/10.8	927 .24/10.4	831 .24/10.1	721 .23/9.9	592 .21/10.0	434 .18/10.1	-	SRT1025S+	1/4	1420	4550
1118 .27/11.7	1044 .27/11.3	963 .27/10.9	871 .26/10.5	767 .25/10.3	647 .23/10.4	503 .21/10.5	-	SRT1033S+	1/3	1460	4678
1157 .30/12.3	1085 .30/11.9	1007 .29/11.5	920 .29/11.1	823 .28/10.8	712 .27/10.9	582 .24/10.9	-	SRT1033S+	1/3	1510	4839
1203 .34/13.0	1134 .34/12.6	1060 .33/12.3	978 .33/11.9	887 .32/11.5	785 .31/11.5	669 .29/11.5	363 .22/11.3	SRT1033	1/3	1570	5031
1218 .36/13.2	1150 .35/12.9	1077 .35/12.5	997 .34/12.1	908 .33/11.8	809 .32/11.7	696 .30/11.8	405 .24/11.6	SRT1050S+	1/2	1590	5095
1241 .38/13.6	1175 .37/13.2	1103 .37/12.8	1025 .36/12.5	939 .35/12.1	844 .34/12.0	736 .32/12.1	465 .26/12.1	SRT1050S+	1/2	1620	5191
1256 .39/13.9	1191 .38/13.5	1121 .38/13.1	1044 .37/12.7	960 .37/12.4	867 .35/12.2	762 .34/12.3	502 .28/12.4	SRT1050	1/2	1640	5255

Performance certified is for installation type A - Free inlet, Free outlet. Power rating (BHP) does not include transmission losses. Performance ratings include the effects of inlet filters.

The sound ratings shown are in loudness values in fan sones at 1.5m (5 ft.) in a hemispherical free field calculated per AMCA Standard 301. Values shown are for Installation type A - Free inlet fan sone levels.

+ RPM range capable with solid state speed control.

Model numbers ending in S require solid state speed control.



Model Number	Dimensions (in.)					Curb OD	Damper OD	Approx. Unit Wt.
	A	B	C	D	E			
SRT-10	31-1/4	16-5/8	22-1/4	17-1/4	5	14-3/4	10-1/2	70 lb.