

MODEL UBRD

REMOTE DRIVE UPBLAST PROPELLER ROOF EXHAUSTERS



Model UBRD units are high capacity belt driven roof mounted exhausters rated from 4,500 to 72,000 CFM. The motor and drives are located outside of the exhaust airstream, making these units especially suited for the removal of heated or contaminated air from commercial and industrial buildings or processes where these conditions exist. All models are capable of continuous operation exhausting air to 200°F.

The remote drive construction allows for easy rooftop belt and motor access for maintenance. For increased air performance (in clean conditions) with the same easy maintenance access, the UBRD is available without the belt and bearing enclosures. See the UBB performances on Page 194.

Straight-through air flow design results in maximum exhaust efficiency. During operation, high air flow velocity opens butterfly dampers and prevents rain or snow from entering. Dampers close and cover the venturi opening when unit is not in use.

The roof mounted location eliminates interference with processes and equipment inside the building. It also permits locating the exhauster over a source of heated or contaminated air, allowing direct upward venting to the outside, unlike wall mounted exhausters which may move contaminated air through adjacent work spaces.

Construction/Specification Checklist

Panel Assembly

- Heavy-gauge G90 galvanized steel panel, size 24-72.
- One piece venturi for maximum efficiency and strength.
- All welded support structure of schedule 40 galvanized pipe (minimum).
- Motor/bearing plates of minimum 10 gauge galvanized steel.

Windband/Butterfly Dampers

- Heavy-gauge galvanized steel windband.
- Steel dampers standard (except on sizes 48-72).
- Translucent fiberglass dampers available on all sizes (standard on sizes 48-72).
- Galvanized rain channel drains water from damper area to roof.
- Galvanized damper shaft rotates in bronze bushing.

Propeller

- Two, three, four or six airfoil aluminum blades.
- Steel hub plate with steel taper lock bushing.
- Adjustable pitch for optimum efficiency.
- Die formed steel blades are optional where required.

Drives (belt drive models)

- Shielded from airstream by galvanized steel enclosure.
- Sized for minimum 150% of drive horsepower.
- Single belt adjustable pitch sheaves through 3HP.
- Two belt fixed pitch sheaves through 10HP.
- Adjustable pitch sheaves are optional above 3HP.
- Adjustable tension rods for belt adjustment.
- Nonstatic oil resistant v-belts.
- Keyed, turned, ground and polished shafts.

Bearings

- Bearings designed for minimum 200,000 hour life, L50.
- Cast iron self-aligning pillow block ball bearings.
- Bearings are sealed, prelubricated with relube fittings.

Motors

- Located outside airstream under weather cover.
- Brands are nationally recognized and locally serviced.
- Open drip-proof construction is standard.
- High-efficiency, explosion proof, totally enclosed fan cooled (TEFC) and corrosion duty motors can be specified.

Certifications

- cULus 705 listed power roof ventilator assures electrical reliability (optional).

Options/Accessories

Roof Curb: Prefabricated heavy-gauge galvanized steel, welded construction, 12" high with 1-1/2" treated wood nailer. Options include burglar bars, single and double pitch construction, and additional curb heights.

Disconnect Switch: Nonfused safety disconnects are available for all motor sizes in rain-tight or open enclosures. Explosion proof, Nema 4 and 4X are also available.

Magnetic Latches: Help reduce damper chatter when the units are not in operation.

Heat/Smoke Vent: Opens damper doors when temperature exceeds 165°F. Allows heat and smoke to escape building without use of fan power.

Outlet Guard: 1/2" x 1" wire mesh guard will prevent birds and other objects from entering fan.

Extended Grease Lines: Extended grease lines allow motor and/or fan bearings to be relubricated from the exterior.

Aluminum Construction: Optional aluminum construction available on windband, curb caps, panel and blades (sizes 24-54).

Epoxy Finish: For use in all alkaline type atmosphere (exceptions are acetic and nitric acids). Epoxy forms an excellent hard, heavy film barrier against chemical attack as well as physical damage from direct impact and abrasion.

Synthetic Resin (formerly Eisenheiss): For preventing corrosion from acids, alkalis, fumes, steam and condensation.

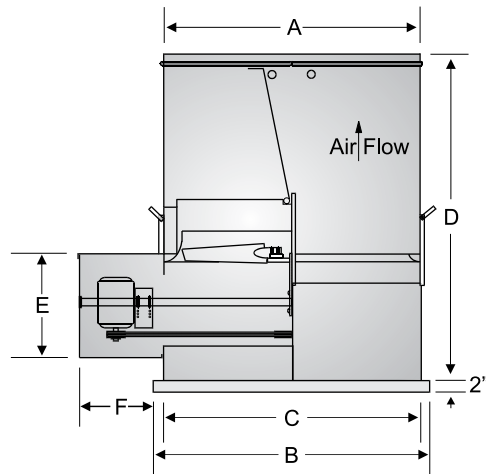
All specifications are subject to change without notice unless approved in submittal by JencoFan.

1 year fan housing warranty, 1 year motor warranty

PERFORMANCE

| Model UBRD | CFM @ Static Pressure | | | | | HP | RPM | Max BHP | Sones @ 5 ft. |
|------------|-----------------------|-------|-------|-------|-------|-------|------|---------|---------------|
| | 0 | 1/8 | 1/4 | 3/8 | 1/2 | | | | |
| 24 | 6605 | 5980 | 5262 | 4416 | - | 3/4 | 1210 | 0.82 | 20 |
| | 7286 | 6715 | 6081 | 5410 | - | 1 | 1335 | 1.11 | 23 |
| | 8353 | 7866 | 7323 | 6752 | 6127 | 1-1/2 | 1525 | 1.65 | 30 |
| | 9200 | 8740 | 8280 | 7774 | 7268 | 2 | 1680 | 2.21 | 35 |
| 30 | 10230 | 9114 | 7812 | - | - | 1 | 960 | 1.15 | 23 |
| | 11625 | 10602 | 9579 | 8370 | - | 1-1/2 | 1090 | 1.69 | 31 |
| | 12741 | 11904 | 10881 | 9858 | 8742 | 2 | 1200 | 2.25 | 37 |
| | 14508 | 13764 | 12927 | 12090 | 11160 | 3 | 1370 | 3.35 | 44 |
| 36 | 12861 | 10752 | - | - | - | 1 | 700 | 1.10 | 19 |
| | 14688 | 12768 | 10656 | - | - | 1-1/2 | 795 | 1.57 | 25 |
| | 16512 | 14880 | 12960 | 10848 | - | 2 | 895 | 2.30 | 30 |
| | 18816 | 17280 | 15744 | 14112 | 12192 | 3 | 1020 | 3.48 | 35 |
| 42 | 18414 | 15624 | - | - | - | 1-1/2 | 640 | 1.68 | 23 |
| | 20553 | 17949 | 14880 | - | - | 2 | 710 | 2.30 | 28 |
| | 23250 | 21018 | 18414 | 15624 | - | 3 | 805 | 3.35 | 35 |
| | 27261 | 25668 | 23529 | 21390 | 18879 | 5 | 950 | 5.51 | 43 |
| 48 | 24196 | 20700 | 16192 | - | - | 2 | 575 | 2.31 | 23 |
| | 27784 | 24564 | 20884 | 16376 | - | 3 | 655 | 3.41 | 32 |
| | 32660 | 29900 | 27048 | 23736 | 19780 | 5 | 770 | 5.54 | 43 |
| | 37352 | 34960 | 32476 | 29992 | 26956 | 7-1/2 | 880 | 8.27 | 52 |
| 54 | 41216 | 39100 | 36892 | 34500 | 32016 | 10 | 970 | 11.07 | 58 |
| | 33250 | 28690 | 22990 | - | - | 3 | 545 | 3.39 | 26 |
| | 39140 | 35055 | 30875 | 25650 | - | 5 | 640 | 5.49 | 38 |
| | 44840 | 41515 | 37810 | 33915 | 29335 | 7-1/2 | 735 | 8.32 | 48 |
| 60 | 49210 | 46075 | 42750 | 39235 | 35530 | 10 | 805 | 10.92 | 56 |
| | 44826 | 39618 | 33480 | 25854 | - | 5 | 550 | 5.50 | 36 |
| | 51336 | 46779 | 41850 | 36084 | - | 7-1/2 | 630 | 8.27 | 49 |
| 72 | 56730 | 52638 | 48267 | 43431 | 37851 | 10 | 695 | 11.10 | 58 |
| | 57381 | 48267 | 37665 | - | - | 5 | 410 | 5.47 | 29 |
| | 65751 | 57939 | 49476 | - | - | 7-1/2 | 470 | 8.24 | 40 |
| | 72726 | 65844 | 58404 | 49569 | - | 10 | 520 | 11.15 | 48 |

DIMENSIONS



| Model UBRD | Dimensions (Inches) | | | | | | |
|------------|---------------------|----|----|----|----|----|----|
| | A | B | C | D | E | F | G |
| 24 | 30 | 32 | 30 | 50 | 22 | 16 | 31 |
| 30 | 36 | 38 | 36 | 54 | 22 | 16 | 37 |
| 36 | 42 | 44 | 42 | 56 | 22 | 16 | 43 |
| 42 | 48 | 50 | 48 | 59 | 22 | 16 | 49 |
| 48 | 54 | 56 | 54 | 68 | 22 | 22 | 55 |
| 54 | 60 | 62 | 60 | 70 | 22 | 22 | 61 |
| 60 | 66 | 68 | 66 | 74 | 22 | 22 | 67 |
| 72 | 80 | 82 | 80 | 86 | 22 | 22 | 81 |

A - Outside dimension of windband. **E** - Height of motor cover.
B - Inside dimension of square curb cap. **F** - Length of motor cover.
C - Inside dimension of square fan base. **G** - Outside dimension of factory built prefab curb.
D - Height of unit above curb.