
CONSTRUCTION FEATURES

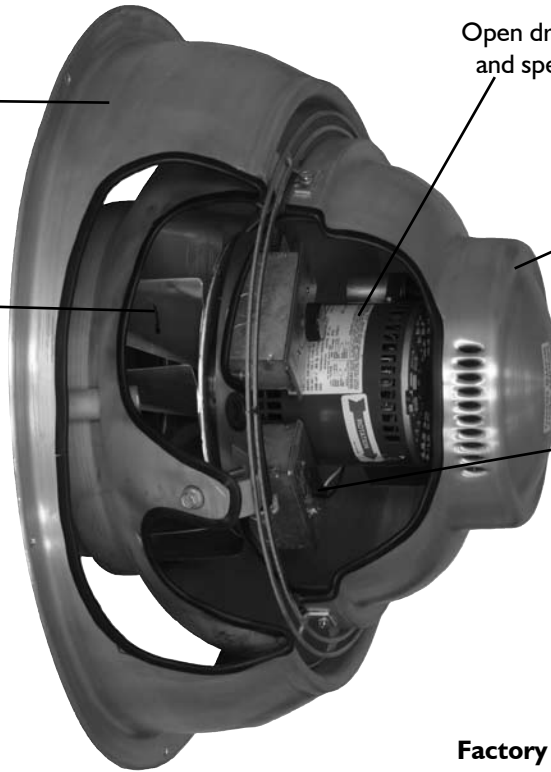
Model CWD

Spun Aluminum Shell
Maximum weather protection.

Centrifugal Wheel
Non-overloading,
backward inclined blades
for maximum efficiency.

Duct Connection
At wheel inlet.

UL-705 Label
For electrical reliability
(optional).



Motor
Open drip-proof standard
and speed controllable.

Spun Aluminum Dome
Provides compartment
for out-of-airstream
motor location.

Disconnect
Standard with ODP single
speed motors.

AMCA Seal
Assures rating of
Air and Sound Performance.

Factory Run & Tested
Assures dependable operation.
