

# MODEL KSF

## BELT DRIVE CENTRIFUGAL FILTERED ROOF SUPPLY FAN

### APPLICATION

Models KSF fans are primarily used for filtered make-up air in kitchen hood applications but may also be specified for make-up air in commercial and industrial applications such as manufacturing and assembly areas.

Model KSF's rugged design with heavy-gauge galvanized construction provides maximum weather protection, long life and the utmost in performance efficiency. The forward curved centrifugal blower provides efficient air flow at low sound levels.

Filters are washable and are reusable to reduce maintenance costs. Quick release hood latches make routine cleaning and maintenance fast and easy.

### CONSTRUCTION

#### Blower

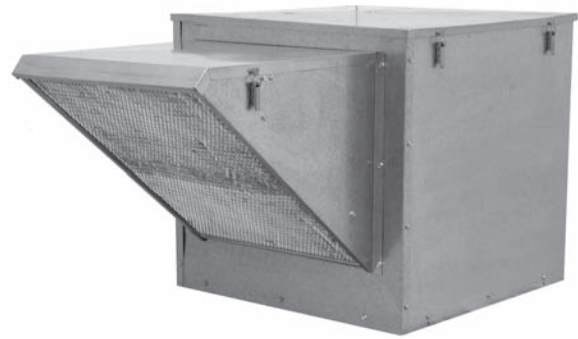
- Statically and dynamically balanced forward curved wheel.
- Prepunched mounting holes.
- Conduit opening for wiring from below unit.
- Disconnect switch is standard equipment.

#### Hood

- Heavy-gauge galvanized steel.
- Quick-release latches for removal from housing.
- Insulated for sound absorption and moisture barrier.
- 1 inch washable aluminum mesh filters.

#### Drives

- Machined cast iron adjustable motor pulleys standard through 3 HP.
- Pivoting motor plate for belt tensioning.
- Static resistant v-belts.



#### Bearings

- Heavy-duty ball bearing type.
- Prelubricated and permanently sealed.

#### Motors

- Open drip-proof construction is standard.
- Optional motor enclosures and types can be specified.

### AMCA SEAL

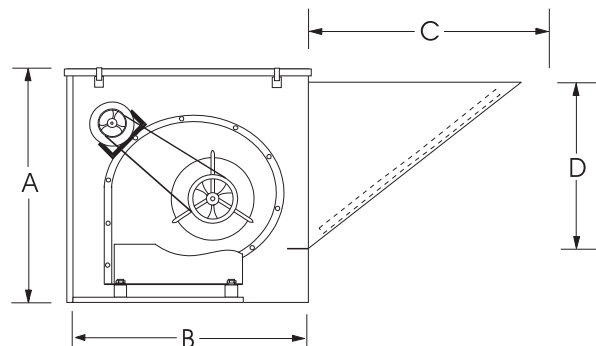
JencoFan, Div. of Soler & Palau Ventilation Group certifies that the Models KSF shown herein are licensed to bear the AMCA Seal. The ratings shown are based on test and procedures performed in accordance with AMCA Publication 211 and AMCA Publication 311 and comply with the requirement of the AMCA Certified Ratings Program.



LISTED POWER ROOF VENTILATOR  
UL STANDARD 705

### DIMENSIONAL DATA

MODEL KSF	A	B	C	D	ROOF OPENING	Average Ship Wt. Lbs.
9	23 1/4	24 1/2	17 1/2	18	19 1/2	215
10	27 1/4	28 1/4	21	21	23 1/2	245
12	32 1/2	32 1/2	26 3/8	26 3/8	28	255
15	37 1/4	32 1/2	31 1/2	31 1/2	28	310
18	41 1/4	36 1/2	35 1/2	35 1/2	32	350



### ACCESSORIES

MODEL KSF	RECOMMENDED 12" HIGH MOUNTING CURB		RECOMMENDED GRAVITY DAMPER		FAN LESS MOTOR & DRIVE
	OD	STOCK NO.	OD	STOCK NO.	STOCK NO.
9	22 1/2	2302.12.9CSF ●	16	S3GA16CB ●	KSF09LMDS ●
10	26 1/2	2302.12.10CSF ●	20	S3GA20CB ●	KSF10LMDS ●
12	31	2302.12.15CSF ●	24	S3GA24CB ●	KSF12LMDS ●
15	31	2302.12.15CSF ●	24	S3GA24CB ●	KSF15LMDS ●
18	35	2302.12.18CSF ●	27	S3GA27CB ●	KSF18LMDS ▲

Ship Schedules:
● Next Day Shipment From Stock
▲ 3 Day Shipment From Stock

ALL DIMENSIONS IN INCHES, WEIGHTS IN POUNDS. OD IS OUTSIDE DIMENSION OF SQUARE CURB AND DAMPER. DUE TO CONTINUING RESEARCH, JENCOFAN RESERVES THE RIGHT TO CHANGE SPECIFICATIONS WITHOUT NOTICE.

<b>MODEL KSF</b>		<b>Belt-Drive Centrifugal Filtered Roof Supply Fan</b>														
Model KSF	Motor Hp	Max. BHP	Single Phase 115/208/230	Three Phase 208/230/460	CFM	Outlet Velocity FPM	RPM at Static Pressure (See Note X)									
			STOCK NO.	STOCK NO.			1/8	1/4	3/8	1/2	5/8	3/4	1	1 1/4	1 1/2	
9	1/4	0.24	KSF09ML1S ● (437-600 RPM)	KSF09ML3S ▲ (437-600 RPM)	375	458	437	-	-	-	-	-	-	-	-	-
					475	580	453	-	-	-	-	-	-	-	-	-
					575	702	482	623	-	-	-	-	-	-	-	-
					675	825	519	642	-	-	-	-	-	-	-	-
					775	947	558	669	775	-	-	-	-	-	-	-
					875	1069	598	704	798	-	-	-	-	-	-	-
					975	1191	642	742	828	912	995	-	-	-	-	-
					1075	1313	689	780	864	940	1016	1092	-	-	-	-
					1175	1435	738	820	901	973	1043	1113	1250	-	-	-
	1275	1558	789	862	939	1010	1075	1139	1267	-	-	-				
	1/3	0.33	KSF09PH1S ●	KSF09PH3S ▲	1375	1680	839	906	979	1047	1110	1170	1289	1407	-	
	1/2	0.50	KSF09QH1S ●	KSF09QH3S ●	1475	1802	891	953	1020	1086	1147	1205	1316	1427	1536	
					1575	1924	943	1002	1062	1126	1185	1242	1347	1451	-	
					1675	2046	995	1051	1106	1166	1224	1279	1381	1479	-	
	3/4	0.75	KSF09RH1S ●	KSF09RH3S ●	1775	2168	1048	1101	1152	1207	1264	1318	1417	-	-	
					1875	2290	1100	1152	1200	1250	1304	1357	-	-	-	
	1	1.00	KSF09SH1S ●	KSF09SH3S ●	1975	2413	1153	1203	1249	1296	-	-	-	-	-	
					2075	2535	1206	1254	-	-	-	-	-	-	-	
10	1/4	0.24	KSF10MH1S ●	KSF10MH3S ▲	1050	1011	509	610	696	-	-	-	-	-	-	
					1150	1108	537	633	717	-	-	-	-	-	-	
					1250	1204	565	658	739	811	-	-	-	-	-	
					1350	1300	595	684	762	832	897	-	-	-	-	
					1450	1397	626	711	785	855	918	977	-	-	-	
					1550	1493	657	738	810	877	939	997	-	-	-	
	1/3	0.33	KSF10PH1S ●	KSF10PH3S ▲	1650	1589	689	766	836	901	962	1019	1124	-	-	
					1750	1686	721	794	863	926	985	1041	1143	-	-	
	1/2	0.50	KSF10QH1S ●	KSF10QH3S ●	1850	1782	753	824	891	954	1009	1063	1164	1257	-	
					1950	1878	786	854	918	978	1033	1087	1186	1277	1364	
					2050	1975	819	885	946	1005	1059	1111	1208	1298	1382	
	3/4	0.75	KSF10RH1S ●	KSF10RH3S ●	2150	2071	852	916	975	1032	1085	1135	1231	1319	1402	
					2250	2167	886	948	1004	1060	1112	1161	1254	1342	1422	
					2350	2264	921	980	1034	1088	1139	1187	1278	1364	-	
	1	1.00	KSF10SH1S ●	KSF10SH3S ●	2450	2360	955	1012	1065	1116	1167	1214	1303	-	-	
					2550	2456	990	1044	1096	1145	1194	1241	-	-	-	
	1 1/2	1.49	KSF10TH1S ●	KSF10TH3S ●	2650	2552	1025	1076	1128	1175	1222	-	-	-	-	
					2750	2649	1060	1109	1159	1205	-	-	-	-	-	
2850					2745	1096	1142	1191	-	-	-	-	-	-		
2950					2841	1131	1175	-	-	-	-	-	-	-		
12	1/4	0.25	KSF12MH1S ●	KSF12MH3S ▲	1150	1668	394	498	590	673	747	814	932	1034	1125	
					1350	1958	427	519	604	683	755	822	941	1045	1138	
					1600	2320	473	553	629	701	769	833	951	1055	1150	
					1800	2610	512	586	655	721	785	846	960	1063	1158	
					2000	2900	552	620	684	726	805	863	971	1072	1166	
	1/3	0.32	KSF12PH1S ●	KSF12PH3S ▲	2200	3190	594	657	716	773	829	883	986	1084	1175	
	1/2	0.49	KSF12QH1S ●	KSF12QH3S ●	2400	3480	636	695	751	804	856	907	1005	1098	1187	
					2600	3770	679	735	787	837	886	934	1026	1115	1200	
	3/4	0.76	KSF12RH1S ●	KSF12RH3S ●	2700	3915	701	755	806	855	902	948	1038	1125	1209	
					2800	4060	723	776	825	872	918	963	1051	1135	1217	
					2900	4205	744	796	844	890	935	979	1064	1146	1227	
					3000	4350	767	817	864	909	952	995	1078	1158	1237	
	1	1.04	KSF12SH1S ●	KSF12SH3S ●	3100	4495	789	838	883	927	970	1011	1092	1171	1247	
					3200	4640	811	859	903	946	988	1028	1107	1184	1259	
	1 1/2	1.53	KSF12TH1S ●	KSF12TH3S ●	3400	4930	855	901	944	985	1024	1063	1138	1211	1283	
					3600	5220	900	944	985	1024	1062	1099	1171	-	-	
	2	2.03	N/A	KSF12VH3S ●	3800	5510	945	987	1027	1064	1101	1136	-	-	-	
					4000	5800	990	1031	1069	1105	1140	-	-	-	-	
					4200	6090	1036	1075	-	-	-	-	-			

Power ratings (BHP) do not include transmission losses. Performance certified is for installation type B-free inlet, ducted outlet. Performance ratings do not include the effects of appurtenances (accessories).

Table shows fan RPM needed for required CFM and SP.  
 Shaded/Non-shaded area shows motor HP and stock number to order.

# MODEL KSF *Belt-Drive Centrifugal Filtered Roof Supply Fan*

Model KSF	Motor Hp	Max. BHP	Single Phase 115/208/230	Three Phase 208/230/460	CFM	Outlet Velocity FPM	RPM at Static Pressure								
			STOCK NO.	STOCK NO.			1/8	1/4	3/8	1/2	5/8	3/4	1	1 1/4	1 1/2
15	1/4	0.25	KSF15MH1S ●	N/A	1625	814	349	-	-	-	-	-	-	-	-
					2025	1014	396	464	-	-	-	-	-	-	-
					2425	1215	448	508	563	616	-	-	-	-	-
	1/3	0.36	KSF15PH1S ●	N/A	2825	1415	501	556	605	652	698	743	-	-	-
	1/2	0.52	KSF15QH1S ●	KSF15QH3S ●	3230	1618	557	607	652	695	737	777	-	-	-
	3/4	0.75	KSF15RH1S ●	KSF15RH3S ●	3640	1824	615	661	703	743	781	817	889	959	-
	1	1.01	KSF15SH1S ●	KSF15SH3S ●	3840	1924	644	688	728	767	803	839	907	974	-
					4045	2026	673	716	755	792	827	862	928	992	1055
	1 1/2	1.60	KSF15TL1S ● (702-884 RPM) KSF15TH1S ● (784-974 RPM)	KSF15TL3S ● (702-884 RPM) KSF15TH3S ● (784-974 RPM)	4245	2127	702	743	781	817	851	885	948	1010	1071
					4445	2227	731	771	808	842	876	908	970	1029	1088
					4645	2327	760	799	834	868	901	932	992	1050	1106
	2	2.09	N/A	KSF15VH3S ●	4850	2430	790	828	862	895	927	957	1015	1071	1126
					5050	2530	820	856	890	922	952	982	1039	1093	-
	3	3.12	N/A	KSF15WH3S ●	5400	2705	871	906	938	968	998	1026	-	-	-
					5600	2805	901	934	966	996	1024	-	-	-	-
5800					2906	931	963	994	1023	-	-	-	-	-	
6000					3006	961	992	-	-	-	-	-	-	-	
18	1/4	0.24	KSF18MH1S ▲	N/A	2350	830	320	-	-	-	-	-	-	-	
					2450	865	327	-	-	-	-	-	-	-	
					2650	936	342	407	-	-	-	-	-	-	
					2850	1006	358	420	-	-	-	-	-	-	
	1/3	0.32	KSF18PH1S ▲	N/A	3060	1081	375	434	487	-	-	-	-		
	1/2	0.52	KSF18QH1S ▲	KSF18QH3S ▲	3575	1262	419	471	520	565	-	-	-		
	3/4	0.73	KSF18RH1S ▲	KSF18RH3S ▲	4090	1444	465	511	556	598	-	-	-		
	1	.95	KSF18SH1S ▲	KSF18SH3S ▲	4600	1624	511	553	594	633	670	-	-	-	
					4850	1713	534	574	613	651	687	722	-	-	
	1 1/2	1.54	KSF18TH1S ▲	KSF18TH3S ▲	5110	1804	559	597	634	670	705	739	802	-	
					5360	1893	583	619	655	689	723	756	818	-	
					5625	1986	608	643	677	710	743	774	835	891	
	2	2.10	N/A	KSF18VH3S ▲	5875	2075	632	665	698	730	762	792	852	907	
					6130	2165	656	688	720	751	781	811	869	-	
					6380	2253	680	711	742	772	801	830	-	-	
3	3.10	N/A	KSF18WH3S ▲	6645	2646	706	736	765	794	822	-	-			
				7150	2525	755	783	-	-	-	-	-	-		

Power ratings (BHP) do not include transmission losses.  
 Performance certified is for installation type B-free inlet, ducted outlet.  
 Performance ratings do not include the effects of appurtenances (accessories).

Table shows fan RPM needed for required CFM and SP.  
 Shaded/Non-shaded area shows motor HP and stock number to order.

# MODEL KSF Sound Power Data

Model KSF	RPM	SP	Sound Power RE 10 <sup>-12</sup> Watts Octave Bands, Hz								L <sub>WD</sub> dB(A)
			63	125	250	500	1000	2000	4000	8000	
9	500	0.125	73	69	60	54	51	49	45	38	59
	600	0.125	76	76	66	60	57	55	52	44	65
	700	0.125	78	82	72	65	62	59	58	51	71
	700	0.250	79	80	71	63	60	57	56	48	69
	800	0.125	80	85	77	69	66	63	62	56	75
	800	0.250	81	83	76	68	64	61	60	53	73
	900	0.125	82	87	81	73	69	67	66	61	78
	900	0.250	83	86	81	72	68	65	64	58	77
	1000	0.125	85	88	85	77	72	70	68	65	81
	1000	0.250	84	88	85	76	71	68	67	63	80
	1000	0.500	85	88	84	75	69	66	64	60	79
	1100	0.250	85	89	88	79	74	71	69	66	83
	1100	0.500	87	89	87	78	72	69	67	63	82
	1200	0.125	88	92	92	83	77	75	73	71	87
	1200	0.500	88	91	90	82	75	72	70	67	85
	1300	0.250	89	92	95	85	79	76	74	73	89
	1300	1.000	90	93	93	84	76	73	71	68	87
1400	0.500	90	93	97	87	80	77	74	73	91	
1500	1.000	92	95	97	89	80	77	74	73	92	
1600	1.500	93	96	98	91	82	79	76	74	93	
10	600	0.125	78	76	67	66	64	62	61	55	70
	700	0.125	80	82	71	70	68	66	66	60	75
	700	0.250	79	81	69	68	66	64	64	57	73
	800	0.125	82	85	76	74	72	70	69	65	78
	800	0.250	82	84	75	72	70	68	68	63	77
	900	0.125	85	87	81	77	75	73	72	68	81
	900	0.250	84	87	80	76	74	72	71	68	81
	900	0.500	84	85	78	73	71	69	68	64	78
	1000	0.125	86	89	85	79	78	76	75	72	84
	1000	0.250	86	89	84	79	77	75	74	71	84
	1000	0.500	86	88	83	76	75	73	72	68	82
	1100	0.125	88	91	87	82	80	78	77	75	87
	1100	0.250	88	91	88	81	80	78	76	74	86
	1100	0.500	88	90	87	79	87	76	75	72	85
	1200	0.500	89	92	92	82	81	79	77	76	88
	1200	1.000	88	91	88	79	77	75	73	71	85
	1300	1.000	90	93	92	82	80	79	77	76	88
1400	1.000	92	94	96	84	83	81	79	79	91	
1400	1.500	91	94	93	82	80	78	76	74	88	
1500	1.500	92	95	96	85	83	81	79	78	91	
12	400	0.125	70	62	60	54	53	52	44	36	59
	500	0.125	77	71	68	64	61	60	54	47	67
	500	0.250	75	69	66	62	58	57	51	43	65
	600	0.125	83	79	73	71	67	66	62	55	74
	600	0.250	80	76	70	68	63	62	58	50	70
	700	0.125	87	84	78	77	71	70	68	61	79
	700	0.250	85	82	76	75	69	68	65	58	77
	700	0.500	83	80	74	73	66	65	62	54	74
	800	0.125	90	89	81	80	74	73	72	65	82
	800	0.250	89	88	80	78	73	72	71	64	81
	800	0.500	86	85	77	75	69	68	67	59	78
	900	0.125	93	92	85	82	78	76	75	69	85
	900	0.250	92	91	84	82	77	75	74	68	85
	900	0.500	89	89	82	79	74	72	71	64	82
	1000	0.125	95	95	89	85	82	79	78	73	88
	1000	0.250	94	94	88	85	81	78	77	72	88
	1000	0.500	92	92	86	83	79	76	75	69	86
1000	1.000	90	90	84	81	77	73	72	66	84	
1100	1.000	92	93	87	83	80	76	75	69	86	
1200	1.500	93	95	90	85	83	78	77	72	89	

CENTRIFUGAL FILTERED SUPPLY

The sound power level ratings shown are in decibels referred to 10-12 watts calculated per AMCA Standard 301. The A-weighted sound ratings shown have been calculated per AMCA Standard 301. Values shown are for outlet Lwo sound power levels for: Installation Type-B: free inlet, ducted outlet. Ratings include the effects of duct end connection. dBA levels are not licensed by AMCA International.

### MODEL KSF Sound Power Data

Model KSF	RPM	SP	Sound Power RE 10 <sup>-12</sup> Watts Octic Bands, Hz								L <sub>w</sub> dB(A)
			63	125	250	500	1000	2000	4000	8000	
15	450	0.125	71	66	66	65	64	63	57	50	69
	550	0.125	79	71	71	71	69	69	65	58	75
	550	0.250	78	70	69	69	67	66	62	55	73
	650	0.125	85	74	75	76	74	74	72	64	80
	750	0.125	88	80	78	79	78	77	76	70	84
	750	0.250	88	80	77	78	76	76	74	68	82
	750	0.500	87	79	75	76	74	74	71	64	80
	850	0.125	90	85	80	82	81	80	79	74	87
	850	0.250	90	84	80	81	80	79	78	73	86
	850	0.500	89	84	79	80	78	78	76	70	84
	950	0.125	92	89	83	84	84	83	82	78	90
	950	0.250	92	89	83	83	83	82	81	77	89
	950	0.500	92	88	82	82	82	81	79	75	86
	950	1.000	91	88	81	80	79	78	76	70	85
	1050	0.125	94	93	85	86	86	85	85	81	92
	1050	0.250	94	93	85	86	86	85	84	80	92
1050	0.500	94	92	84	85	85	83	83	79	90	
1050	1.000	93	92	84	83	83	81	80	75	88	
1150	1.000	95	95	86	85	86	84	83	79	91	
1150	1.500	94	95	86	84	84	82	81	76	90	
18	400	0.125	68	66	68	67	66	62	57	51	70
	500	0.125	77	72	73	73	72	70	65	60	77
	500	0.250	75	70	71	71	70	68	62	56	75
	600	0.125	84	77	77	78	77	76	71	66	82
	600	0.250	82	75	76	77	75	74	69	64	81
	600	0.500	79	72	73	75	72	71	66	59	77
	700	0.125	89	80	80	82	81	81	76	71	86
	700	0.250	88	79	79	81	80	79	75	70	85
	700	0.500	86	77	78	80	77	77	72	66	83
	800	0.125	91	85	83	85	84	84	81	75	90
	800	0.250	91	84	82	84	83	83	79	74	89
	800	0.500	89	83	81	83	82	81	77	72	87
	900	0.125	94	90	86	87	87	87	84	79	93
	900	0.250	93	89	85	87	87	86	83	78	92
	900	0.500	92	88	84	86	85	84	82	76	91
	900	1.000	89	85	82	84	83	82	78	73	88
1000	0.500	94	92	87	88	88	87	85	80	94	
1000	1.000	92	90	85	86	86	85	83	77	91	
1000	1.500	90	88	83	85	84	83	80	74	89	
1100	1.500	93	92	86	87	88	86	84	79	93	

The sound power level ratings shown are in decibels referred to 10-12 watts calculated per AMCA Standard 301. The A-weighted sound ratings shown have been calculated per AMCA Standard 301. Values shown are for outlet L<sub>w</sub> sound power levels for: Installation Type-B: free inlet, ducted outlet. Ratings include the effects of duct end connection. dBA levels are not licensed by AMCA International.