

MODEL LCE/LCS

SIDEWALL BELT DRIVE PROPELLER FAN

LCE=Exhaust
LCS=Supply

APPLICATION

Model LCE (exhaust) is a high capacity belt driven propeller fan. Its primary application is the exhaust of large volumes of air at relatively low static pressures from commercial, light industrial and agricultural buildings such as manufacturing and assembly plants, warehouses, parking garages, gymnasiums, equipment rooms, distribution centers, poultry and greenhouses.

Belt driven fans provide large volumes of air at low fan speeds and low noise levels and afford quick, easy performance adjustments.

When suspended from the ceiling, thus keeping floor spaces open, model LC can be installed to direct large volumes of air downward toward work centers improving employee comfort and productivity.

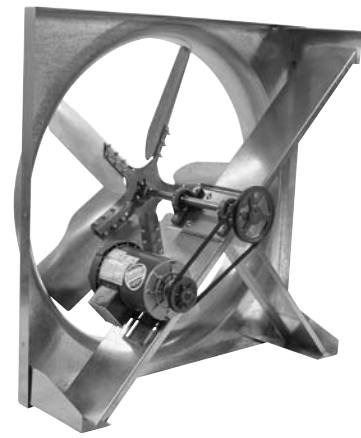
CONSTRUCTION

Panel Assembly

- Heavy-gauge galvanized steel.
- All welded motor & drive support frame assembly.
- Prepunched mounting holes.

Propeller

- Die formed galvanized steel blades.
- Epoxy coated hub keyed to fan shaft.
- Statically and dynamically balanced.



Drives

- Sized for minimum 150% of drive horsepower.
- Single belt adjustable pitch sheaves through 2 HP.
- Nonstatic v-belts.

Bearings

- Designed for minimum 200,000 hour life.
- Bearings are sealed, prelubricated with relube fittings.
- Bearings are heavy-duty, air handling design, self-aligning, pillow block type with cast iron housing.

Motors

- Open drip-proof construction is standard.
- All motors mounted and factory run tested.



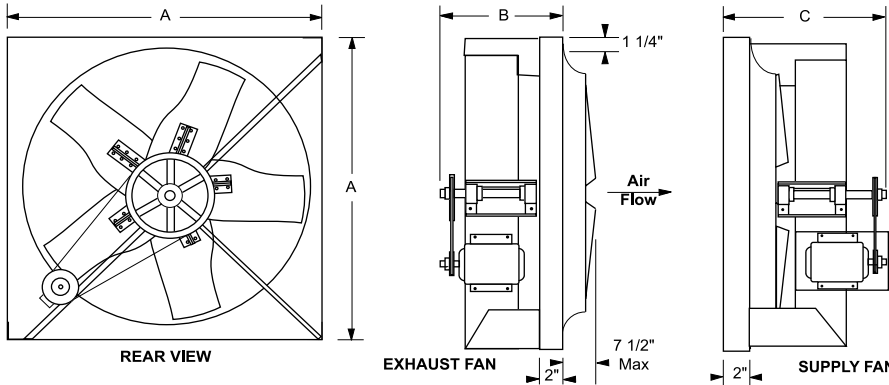
JencoFan, Div. of Soler & Palau Ventilation Group certifies that the Models LC shown herein are licensed to bear the AMCA Seal. The ratings shown are based on test and procedures performed in accordance with AMCA Publication 211 and AMCA Publication 311 and comply with the requirement of the AMCA Certified Ratings Program.



UL STANDARD 705

DIMENSIONAL DATA

MODEL LC	A	B	C	Avg. Ship Wt. Lbs
20	24	15	23	85
24	30	15	23	90
30	36	15	24	100
36	42	15	24	105
42	48	16	24	110
48	54	16	24	125
54	60	20	26	240
60	66	20	26	285



ACCESSORIES

MODEL LC	RECOMMENDED SHUTTER*		WALL HOUSING PACK (EXHAUST)*	WALL HOUSING PACK (SUPPLY)*	RAINHOOD (EXHAUST)	RAINHOOD (SUPPLY)	RAINHOOD BIRDSCREEN (EXHAUST)	RAINHOOD BIRDSCREEN (SUPPLY)	EXHAUST FAN LESS MOTOR & DRIVES	
	OD	STOCK NO.	STOCK NO.	STOCK NO.	STOCK NO.	STOCK NO.	STOCK NO.	STOCK NO.	STOCK NO.	MAX MOTOR Hp
20	22 1/2	S3GA20 ●	WHPLCE20 ●	WHPLCS20 ◆	5520.8.20KDS ●	7520.8.20KDS ●	5521.5.20RHS ●	7521.5.20RHS ◆	LCE20LMDS ●	3/4
24	28 1/2	S3GA26 ●	WHPLCE24 ●	WHPLCS24 ◆	5520.8.24KDS ●	7520.8.24KDS ●	5521.5.24RHS ●	7521.5.24RHS ◆	LCE24LMDS ●	1 1/2
30	34 1/2	S3GA32 ●	WHPLCE30 ●	WHPLCS30 ◆	5520.8.30KDS ●	7520.8.30KDS ●	5521.5.30RHS ●	7521.5.30RHS ◆	LCE30LMDS ●	1 1/2
36	40 1/2	S3GA38 ●	WHPLCE36 ●	WHPLCS36 ◆	5520.8.36KDS ●	7520.8.36KDS ●	5521.5.36RHS ●	7521.5.36RHS ◆	LCE36LMDS ●	2
42	46 1/2	S3GA44 ●	WHPLCE42 ●	WHPLCS42 ◆	5520.8.42KDS ●	7520.8.42KDS ●	5521.5.42RHS ●	7521.5.42RHS ◆	LCE42LMDS ●	2
48	52 1/2	S3GA50 ●	WHPLCE48 ●	WHPLCS48 ◆	5520.8.48KDS ●	7520.8.48KDS ●	5521.5.48RHS ●	7521.5.48RHS ◆	LCE48LMDS ●	2
54	58 1/2	S3GA56 ●	WHPLCE54 ◆	WHPLCS54 ◆	5520.8.54KDS ◆	7520.8.54KDS ◆	5521.5.54RHS ◆	7521.5.54RHS ◆	N/A	N/A
60	64 1/2	S3GA62 ◆	WHPLCE60 ◆	WHPLCS60 ◆	5520.8.60KDS ◆	7520.8.60KDS ◆	5521.5.60RHS ◆	7521.5.60RHS ◆	N/A	N/A

* Refer to pages 60 and 61 for dimensions

Ship Schedules:
● Next Day Shipment From Stock
◆ 10 Day Shipment

ALL DIMENSIONS IN INCHES, WEIGHTS IN POUNDS. OD IS OUTSIDE DIMENSION OF SQUARE SHUTTER
DUE TO CONTINUING RESEARCH, JENCOFAN RESERVES THE RIGHT TO CHANGE SPECIFICATIONS WITHOUT NOTICE.

MODEL LC					Sidewall Belt Drive Propeller Fan						Ventilator with Open Drip-proof Motor and Drive Assembly	
Model LC	Motor Hp	Max BHP	RPM	SONES @ 0 SP	CFM at Static Pressure						115/1/60*	208-230/460/3/60
					0	1/10	1/8	1/4	3/8	1/2	STOCK NO. (LCE-Exhaust)*	STOCK NO. (LCE-Exhaust)*
20	1/4	0.30	955	11.5	3983	3600	3491	-	-	-	LCE20MH1S ●	LCE20MH3S ●
	1/3	0.40	1050	13.5	4379	4038	3941	3312	-	-	LCE20PH1S ●	LCE20PH3S ●
	1/2	0.60	1180	16.4	4921	4625	4543	4081	3182	-	LCE20QH1S ●	LCE20QH3S ●
	3/4	0.90	1350	20.0	5630	5377	5308	4934	4462	3538	LCE20RH1S ●	LCE20RH3S ●
24	1/4	0.30	600	10.2	5331	4652	4431	2269	-	-	LCE24MH1S ●	LCE24MH3S ●
	1/3	0.41	660	12.1	5864	5268	5086	3702	-	-	LCE24PH1S ●	LCE24PH3S ●
	1/2	0.60	760	15.7	6753	6254	6112	5212	-	-	LCE24QH1S ●	LCE24QH3S ●
	3/4	0.90	875	19.8	7775	7352	7237	6562	5600	-	LCE24RH1S ●	LCE24RH3S ●
	1	1.20	950	22.0	8441	8057	7953	7369	6625	5559	LCE24SH1S ●	LCE24SH3S ●
	1 1/2	1.82	1100	28.0	9774	9447	9361	8894	8347	7688	LCE24TH1S ●	LCE24TH3S ●
30	1/4	0.30	450	9.0	7365	6062	5572	-	-	-	LCE30MH1S ●	LCE30MH3S ●
	1/3	0.40	495	10.5	8101	6954	6603	-	-	-	LCE30PH1S ●	LCE30PH3S ●
	1/2	0.59	565	13.3	9247	8271	7995	6052	-	-	LCE30QH1S ●	LCE30QH3S ●
	3/4	0.90	650	17.1	10638	9853	9594	8198	-	-	LCE30RH1S ●	LCE30RH3S ●
	1	1.20	715	20.0	11702	11021	10802	9659	8052	-	LCE30SH1S ●	LCE30SH3S ●
	1 1/2	1.78	815	24.0	13339	12773	12599	11609	10482	9013	LCE30TH1S ●	LCE30TH3S ●
36	1/3	0.41	390	9.7	10755	8745	7976	-	-	-	LCE36PH1S ●	LCE36PH3S ●
	1/2	0.59	440	11.9	12133	10449	9923	-	-	-	LCE36QH1S ●	LCE36QH3S ●
	3/4	0.90	505	15.3	13926	12485	12100	9348	-	-	LCE36RH1S ●	LCE36RH3S ●
	1	1.19	555	18.1	15305	14018	13663	11419	-	-	LCE36SH1S ●	LCE36SH3S ●
	1 1/2	1.79	635	22.0	17511	16413	16111	14497	12146	-	LCE36TH1S ●	LCE36TH3S ●
	2	2.37	695	25.0	19165	18176	17907	16499	14594	12363	LCE36VH1S ●	LCE36VH3S ●
42	1/3	0.41	305	8.4	13173	9658	8439	-	-	-	LCE42PH1S ●	LCE42PH3S ●
	1/2	0.60	345	9.8	14901	12109	11073	-	-	-	LCE42QH1S ●	LCE42QH3S ●
	3/4	0.90	395	12.6	17060	14724	14044	7292	-	-	LCE42RH1S ●	LCE42RH3S ●
	1	1.20	435	14.9	18788	16703	16128	12182	-	-	LCE42SH1S ●	LCE42SH3S ●
	1 1/2	1.81	500	18.8	21596	19833	19339	16470	11827	-	LCE42TH1S ●	LCE42TH3S ●
	2	2.40	550	22.0	23755	22182	21746	19393	16034	-	LCE42VH1S ●	LCE42VH3S ●
48	1/2	0.62	290	10.0	17979	13841	12199	-	-	-	LCE48QH1S ●	LCE48QH3S ●
	3/4	0.91	330	12.1	20459	16949	15969	-	-	-	LCE48RH1S ●	LCE48RH3S ●
	1	1.23	365	14.3	22629	19504	18659	10868	-	-	LCE48SH1S ●	LCE48SH3S ●
	1 1/2	1.82	415	17.8	25729	23054	22306	17746	-	-	LCE48TH1S ●	LCE48TH3S ●
	2	2.39	455	21.0	28209	25800	25148	21574	15382	-	LCE48VH1S ●	LCE48VH3S ●
54	3/4	0.92	270	11.0	23384	-	17932	-	-	-	LCE54RH1S ♦	LCE54RH3S ♦
	1	1.20	295	13.1	25550	-	20825	-	-	-	LCE54SH1S ♦	LCE54SH3S ♦
	1 1/2	1.84	340	16.8	29447	-	25449	19183	-	-	LCE54TH1S ♦	LCE54TH3S ♦
	2	2.38	370	19.4	32045	-	28375	23692	-	-	LCE54VH1S ♦	LCE54VH3S ♦
	3	3.60	425	24.0	36809	-	33585	30290	24785	15677	N/A	LCE54WH3S ♦
60	1	1.21	265	11.5	28491	-	22275	-	-	-	LCE60SH1S ♦	LCE60SH3S ♦
	1 1/2	1.75	300	14.3	32254	-	27023	-	-	-	LCE60TH1S ♦	LCE60TH3S ♦
	2	2.44	335	17.1	36017	-	31464	25399	-	-	LCE60VH1S ♦	LCE60VH3S ♦
	3	3.56	380	21.0	40855	-	36826	32244	29351	-	N/A	LCE60WH3S ♦

PROPELLER WALL FANS

Performance ratings include the effects of appurtenances (accessories).
 Power ratings (BHP) do not include transmission losses.
 Performance certified is for installation type A-free inlet, free outlet.
 The sound ratings shown are loudness values in fan sones @ 5' (1.5m) in a hemispherical free field calculated per AMCA Standard 301.
 Values shown are for installation Type A-Free inlet fan sone levels.
 *Tri-voltage (115-208-230) is standard on 3/4 through 1 1/2 Hp Single phase motors. Tri-voltage is available for the 1/2 Hp motors. Inquire for price and delivery.

NOTES:
 *Stock Numbers shown are for LCE-Exhaust fans, for LCS-Supply fans replace the "E" with "S".

Example:
 LCE-Exhaust = LCE20MH1S
 LCS-Supply = LCS20MH1S

LCS-Supply fans have a 10-day (♦) ship schedule

Ship Schedules:
● Next Day Shipment From Stock
♦ 10 Day Shipment