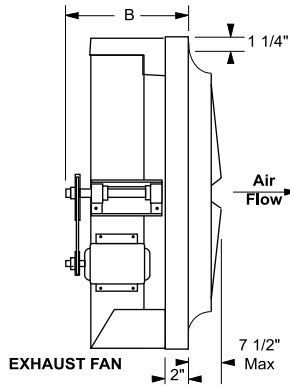
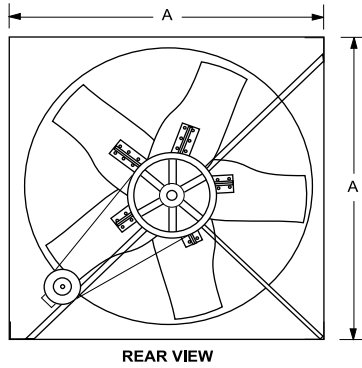


# LC - SIDEWALL PROPELLER FAN - BELT DRIVE

## LCE - EXHAUST

### LEVEL I CONSTRUCTION



JencoFan, Div. of Soler & Palau Ventilation Group certifies that the Models LC shown herein are licensed to bear the AMCA Seal. The ratings shown are based on test and procedures performed in accordance with AMCA Publication 211 and AMCA Publication 311 and comply with the requirement of the AMCA Certified Ratings Program.



| SIZE | A SQ. O.D. PANEL | B EXHAUST | APPROX WT. | MAX MOTOR | MATERIAL GAUGE OR THICKNESS |       |               |        |            |
|------|------------------|-----------|------------|-----------|-----------------------------|-------|---------------|--------|------------|
|      |                  |           |            |           | SHAFT                       | PANEL | SUPPORT FRAME | BLADES | HUB SPIDER |
| 20   | 24               | 15        | 85         | 56H       | 3/4                         | 18    | 16            | 18     | 14         |
| 24   | 30               | 15        | 90         | 145T      | 1                           | 16    | 12            | 16     | 10         |
| 30   | 36               | 15        | 100        | 145T      |                             |       |               |        | 10         |
| 36   | 42               | 15        | 105        | 145T      |                             |       |               |        | 7          |
| 42   | 48               | 16        | 110        | 145T      |                             |       |               | 14     | 7          |
| 48   | 54               | 16        | 125        | 145T      |                             |       |               |        | 7          |

#### CONSTRUCTION AND MATERIAL SPECIFICATION - LEVEL I

**Fan panel, support frame, motor & bearing mounts** - all welded G90 galvanized steel.

**Fan Blades** - Die formed G90 galvanized, bolted to hub.

**Hub** - Die formed steel, epoxy coated, keyed to shaft.

**Bearings** - Air handling, self aligning, cast iron pillow block with grease fittings, L50 = 200,000 hours average life.

**Shaft** - Turned, ground and polished, keyed to propeller hub and sheave.

**Drives** - Cast iron, 150% S.F., single groove and adjustable thru 3HP, keyed to motor and fan shaft.

**Belts** - Nonstatic conducting, oil resistant, single groove thru 3HP.

| FAN SPECIFICATIONS |      |           |     |     |    |         |     |       | MOTOR SPECIFICATIONS |       |       |       |      |
|--------------------|------|-----------|-----|-----|----|---------|-----|-------|----------------------|-------|-------|-------|------|
| Line               | Qty. | Model No. | Tag | CFM | SP | Fan RPM | BHP | Sones | HP                   | Volts | Phase | Hertz | Encl |
| 1                  |      |           |     |     |    |         |     |       |                      |       |       |       |      |
| 2                  |      |           |     |     |    |         |     |       |                      |       |       |       |      |
| 3                  |      |           |     |     |    |         |     |       |                      |       |       |       |      |
| 4                  |      |           |     |     |    |         |     |       |                      |       |       |       |      |
| 5                  |      |           |     |     |    |         |     |       |                      |       |       |       |      |

| ACCESSORY ITEMS          |   |   |   |   | ACCESSORY ITEMS |                          |   |   |   |   |   |
|--------------------------|---|---|---|---|-----------------|--------------------------|---|---|---|---|---|
|                          | 1 | 2 | 3 | 4 | 5               |                          | 1 | 2 | 3 | 4 | 5 |
| <input type="checkbox"/> |   |   |   |   |                 | <input type="checkbox"/> |   |   |   |   |   |
| <input type="checkbox"/> |   |   |   |   |                 | <input type="checkbox"/> |   |   |   |   |   |
| <input type="checkbox"/> |   |   |   |   |                 | <input type="checkbox"/> |   |   |   |   |   |
| <input type="checkbox"/> |   |   |   |   |                 | <input type="checkbox"/> |   |   |   |   |   |
| <input type="checkbox"/> |   |   |   |   |                 | <input type="checkbox"/> |   |   |   |   |   |