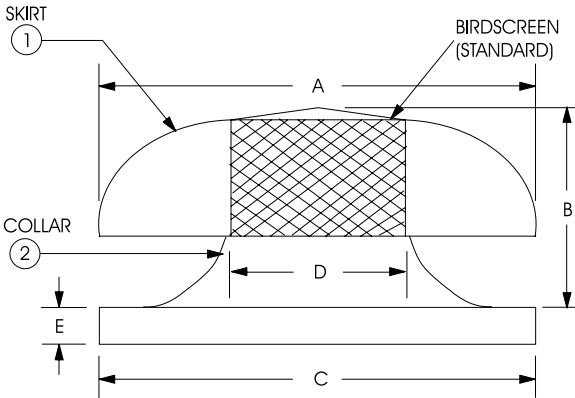


RCXII - CURB MOUNT SPUN ALUMINUM GRAVITY VENTILATOR RELIEF OR INTAKE - NON POWERED

SUBMITTAL DRAWING



STANDARD CONSTRUCTION FEATURES

- 5 year warranty
- Low contour spun aluminum hood for attractive appearance
- All heavy-gauge aluminum
- Weather resistance design for long life and maintenance free operation
- Galvanized birdscreen is standard
- Available in 11 Sizes for a wide range of performance capabilities
- One piece welded curb cap with round spun inlet for maximum efficiency
- Shipped completely assembled for ease in installation
- Intake or exhaust
- Low pressure drop

Optional factory prefabricated curbs available to fit all sizes of units listed

SIZE	NECK AREA SQ FT	DIMENSIONS (IN.)					MATERIAL GAUGE		EST. WT	NOMINAL DAMPER SIZE
		A	B	C	D	E	1	2		
8	0.39	22	8	16 1/2	8 1/2	2	.063	.050	10	8 x 8
10	0.59	22	8	16 1/2	10 1/2	2	.063	.050	15	8 x 8
12	0.85	22	8 3/8	24	12 1/2	2	.063	.050	24	15 x 15
15	1.23	22	8 3/8	24	15	2	.063	.050	24	15 x 15
18	1.89	32 3/4	12 1/2	29 1/2	18 5/8	2	.063	.063	35	21 x 21
20	2.18	32 3/4	12 1/2	29 1/2	20	2	.063	.063	35	21 x 21

FAN SPECIFICATIONS									MOTOR SPECIFICATIONS				
Line	Qty.	Model No.	Tag	CFM	SP	Fan RPM	BHP	Sones	HP	Volts	Phase	Hertz	Encl
1													
2													
3													
4													
5													

ACCESSORY ITEMS					ACCESSORY ITEMS						
	1	2	3	4	5		1	2	3	4	5
<input type="checkbox"/>						<input type="checkbox"/>					
<input type="checkbox"/>						<input type="checkbox"/>					
<input type="checkbox"/>						<input type="checkbox"/>					
<input type="checkbox"/>						<input type="checkbox"/>					
<input type="checkbox"/>						<input type="checkbox"/>					