

MODEL SQB

SQUARE INLINE BELT DRIVE CENTRIFUGAL DUCT FAN



APPLICATION

Model SQB square inline duct mounted fans are available in sizes 7 through 24", moving from 100 to over 9,300 CFM, with static pressure capabilities to 1-1/2". SQB units are the perfect selection for clean air applications where space is a leading consideration. The compact housing with removable access doors and side discharge capability can be mounted in any orientation. AMCA licensed performance and UL listing assure that you've made a reliable selection.

CONSTRUCTION

Housing

- Heavy-gauge galvanized steel for extra strength.
- Integral inlet and outlet duct collars.
- Universal mounting - horizontal, vertical or any angle.
- Motor and drives out of the air stream.
- Easy access for service with removable side panels (2) without disconnecting duct.

Centrifugal Wheel

- All aluminum backward inclined wheel.
- Nonoverloading for safe operation in ducted systems.
- Statically and dynamically balanced for smooth operation.

Bearings

- Bearings designed for minimum 200,000 hour life.
- Bearings are double sealed and prelubricated with relube fittings.
- Bearings are heavy-duty, air handling design, self-aligning, pillow block type with cast iron housing.

Drives

- Sized for minimum 150% of drive horse power.
- Machined cast iron adjustable motor pulleys.
- Motor mount plate with integral belt tensioning device.
- Nonstatic v-belts.

Motors

- Single speed open drip-proof are standard.
- All motors are rated for continuous duty.
- Standard motors are permanently sealed ball bearing type.
- 182T and larger motors shipped unmounted for field installation.

AMCA SEAL



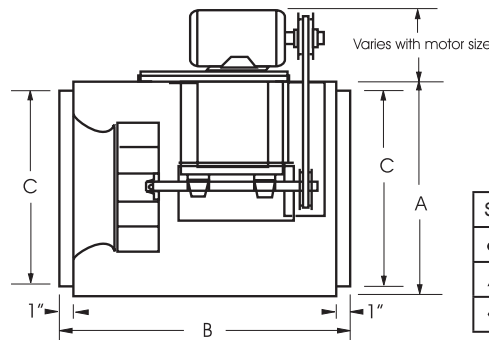
JencoFan, Div. of Soler & Palau Ventilation Group certifies that the Models SQB shown herein are licensed to bear the AMCA Seal. The ratings shown are based on test and procedures performed in accordance with AMCA Publication 211 and AMCA Publication 311 and comply with the requirement of the AMCA Certified Ratings Program.



UL-705 LISTED POWER VENTILATOR

DIMENSIONAL DATA

MODEL SQB	A	B	C	Average Ship Wt. Lbs.
7-8	15	23	11 7/8	75
10	17	23	13 7/8	85
12	21	23	17 7/8	95
15	24	28	21 7/8	140
18	28	30	23 7/8	190
20	32	34	27 7/8	220
24	39	38	34 7/8	320



Ship Schedules:	
●	Next Day Shipment From Stock
▲	3 Day Shipment From Stock
◆	10 Day Shipment

ACCESSORIES

MODEL SQB	GRAVITY DAMPER		MOTOR SAFETY GUARD	VIBRATION ISOLATORS HANGING STYLE		VIBRATION ISOLATORS FLOOR MOUNT		FAN LESS MOTOR & DRIVE
	OD	STOCK NO.	STOCK NO.	RUBBER STOCK NO.	SPRING STOCK NO.	RUBBER STOCK NO.	SPRING STOCK NO.	STOCK NO.
7	12	411012 ●	MGSQB7812 ●	VHRSQ06-15 ●	VHSSQ06-20 ●	VFRSQ06-15 ●	VFSSQ06-20 ●	SQB07LMDS ●
8	12	411012 ●	MGSQB7812 ●	VHRSQ06-15 ●	VHSSQ06-20 ●	VFRSQ06-15 ●	VFSSQ06-20 ●	SQB08LMDS ●
10	14	411014 ●	MGSQB10 ●	VHRSQ06-15 ●	VHSSQ06-20 ●	VFRSQ06-15 ●	VFSSQ06-20 ●	SQB10LMDS ●
12	19	411018 ●	MGSQB7812 ●	VHRSQ06-15 ●	VHSSQ06-20 ●	VFRSQ06-15 ●	VFSSQ06-20 ●	SQB12LMDS ●
15	22	411022 ●	MGSQB15 ●	VHRSQ06-15 ●	VHSSQ06-20 ●	VFRSQ06-15 ●	VFSSQ06-20 ●	SQB15LMDS ●
18	24	411024 ●	MGSQB18 ●	VHRSQ18-20 ●	VHSSQ06-20 ●	VFRSQ18-20 ●	VFSSQ06-20 ●	SQB18LMDS ●
20	28	411028 ●	MGSQB2024 ●	VHRSQ18-20 ●	VHSSQ06-20 ●	VFRSQ18-20 ●	VFSSQ06-20 ●	SQB20LMDS ●
24	35	611035 ●	MGSQB2024 ●	VHRSQ24-30 ◆	VHSSQ24 ●	VFRSQ24-30 ◆	VFSSQ24-30 ●	SQB24LMDS ●

(1) - MAXIMUM 3 HP MOTOR - FOR 5 HP MOTOR CONTACT FACTORY

ALL DIMENSIONS IN INCHES, WEIGHTS IN POUNDS. OD IS OUTSIDE DIMENSION OF SQUARE DAMPER. DUE TO CONTINUING RESEARCH, JENCOFAN RESERVES THE RIGHT TO CHANGE SPECIFICATIONS WITHOUT NOTICE.

MODEL SQB					Square Inline Belt Drive Centrifugal Duct Fan								Ventilator with Open Drip-proof Motor and Drive Assembly		
MODEL SQB	MOTOR Hp	MAX BHp	RPM	Sones @ 1/2 SP	CFM at Static Pressure								115/1/60*	208-230/460/3/60	
					1/8	1/4	3/8	1/2	3/4	1	1 1/4	1 1/2	STOCK NO.	STOCK NO.	
7	1/4	0.06	1210	6.1	182	138	86	-	-	-	-	-	-	SQB07ML1S ●	N/A
		0.13	1530	9.1	249	217	182	144	-	-	-	-	-	-	-
	1/4	0.11	1450	8.4	233	199	161	118	-	-	-	-	-	SQB07MH1S ●	N/A
		0.26	1930	14.3	328	304	279	252	193	123	-	-	-	-	-
	1/3	0.18	1690	10.8	281	253	223	190	114	-	-	-	-	SQB07PH1S ●	SQB07PH3S ▲
0.34		2110	17.3	362	341	319	295	243	186	116	-	-	-	-	-
8	1/4	0.05	1050	4.8	453	345	-	-	-	-	-	-	-	SQB08ML1S ●	N/A
		0.17	1575	10.7	756	696	630	558	-	-	-	-	-	-	-
	1/4	0.13	1425	9.3	673	604	527	437	-	-	-	-	-	SQB08MH1S ●	N/A
		0.26	1800	13.8	880	829	774	715	583	-	-	-	-	-	-
	1/3	0.15	1500	9.9	715	651	579	500	-	-	-	-	-	SQB08PH1S ●	N/A
		0.37	2025	17.4	1001	957	910	860	753	627	-	-	-	-	-
1/2	0.28	1850	14.6	907	858	805	748	623	-	-	-	-	SQB08QH1S ●	SQB08QH3S ●	
	0.55	2325	23.0	1160	1124	1084	1043	955	860	753	604	-	-	-	-
10	1/4	0.09	1050	5.1	798	687	540	-	-	-	-	-	-	SQB10MH1S ●	N/A
		0.26	1500	10.0	1219	1143	1068	988	787	-	-	-	-	-	-
	1/3	0.12	1175	6.6	917	821	712	557	-	-	-	-	-	SQB10PH1S ●	N/A
		0.34	1650	11.9	1356	1286	1216	1148	992	763	-	-	-	-	-
	1/2	0.23	1450	9.4	1173	1095	1016	932	702	-	-	-	-	SQB10QH1S ●	SQB10QH3S ●
		0.53	1900	16.0	1581	1520	1461	1401	1278	1139	957	-	-	-	-
3/4	0.38	1700	12.7	1401	1334	1267	1200	1053	857	-	-	-	SQB10RH1S ●	SQB10RH3S ●	
	0.79	2175	21.0	1827	1773	1720	1669	1564	1456	1336	1194	-	-	-	-
12	1/4	0.12	900	5.4	1293	1098	769	-	-	-	-	-	-	SQB12MH1S ●	N/A
		0.26	1170	9.3	1773	1639	1491	1312	-	-	-	-	-	-	-
	1/3	0.18	1025	6.9	1518	1359	1165	806	-	-	-	-	-	SBQ12PH1S ●	N/A
		0.34	1275	11.3	1954	1833	1704	1558	1099	-	-	-	-	-	-
	1/2	0.23	1120	8.4	1686	1544	1384	1177	-	-	-	-	-	SQB12QH1S ●	SQB12QH3S ●
		0.53	1475	15.1	2296	2192	2085	1973	1710	1282	-	-	-	-	-
	3/4	0.39	1325	12.3	2040	1924	1801	1667	1297	-	-	-	-	SQB12RH1S ●	SQB12RH3S ●
		0.78	1675	18.4	2633	2543	2450	2356	2151	1906	1545	-	-	-	-
1	0.59	1525	15.9	2380	2280	2178	2070	1827	1481	-	-	-	SQB12SH1S ●	SQB12SH3S ●	
	1.05	1850	22.0	2926	2844	2762	2678	2501	2306	2074	1751	-	-	-	-

MIXED FLOW/CENTRIFUGAL INLINE FANS

Performance certified is for installation Type B-free inlet, ducted outlet.
 Power ratings (BHP) do not include transmission losses.
 Performance ratings do not include the effects of appurtenances (accessories).

The sound ratings shown are loudness values in fan sones at 5 feet (1.5m) in a hemispherical free field calculated per AMCA Standard 301. Values shown are for installation Type A-Free inlet fan sone levels.

Performance at higher RPM for each horse power is standard for that unit. Reduced performance can be obtained down to the minimum shown at the lower RPM for each unit, by resetting the adjustable motor sheave.

*Tri-voltage (115-208-230) is standard on 3/4 through 1 1/2 Hp Single phase motors. Tri-voltage is available for the 1/2 Hp motors. Inquire for price and delivery.

MODEL SQB					Square Inline Belt Drive Centrifugal Duct Fan								Ventilator with Open Drip-proof Motor and Drive Assembly		
MODEL SQB	MOTOR Hp	MAX BHp	RPM	Sones @ 1/2 SP	CFM at Static Pressure								115/1/60*	208-230/460/3/60	
					1/8	1/4	3/8	1/2	3/4	1	1 1/4	1 1/2	STOCK NO.	STOCK NO.	
15	1/4	0.14	770	-	1611	1408	1135	-	-	-	-	-	-	SQB15MH1S ●	N/A
		0.26	950	7.7	2071	1911	1745	1548	-	-	-	-	-	-	-
	1/3	0.17	825	-	1753	1567	1349	-	-	-	-	-	-	SQB15PH1S ●	N/A
		0.36	1060	10.2	2347	2203	2058	1904	1464	-	-	-	-	-	-
	1/2	0.29	990	8.6	2172	2018	1861	1684	-	-	-	-	-	SQB15QH1S ●	SQB15QH3S ●
		0.53	1205	13.5	2707	2577	2452	2324	2038	1576	-	-	-	-	-
	3/4	0.41	1105	11.1	2459	2320	2182	2038	1674	-	-	-	-	SQB15RH1S ●	SQB15RH3S ●
		0.78	1375	17.2	3124	3009	2897	2787	2559	2298	1925	-	-	-	-
	1	0.47	1160	12.4	2595	2462	2331	2197	1884	-	-	-	-	SQB15SH1S ●	SQB15SH3S ●
		1.08	1530	21	3502	3396	3295	3196	2996	2786	2545	2225	-	-	-
	1 1/2	0.91	1445	18.8	3295	3184	3078	2973	2760	2526	2236	1585	-	SQB15TH1S ●	SQB15TH3S ●
		1.57	1735	26	3999	3904	3813	3724	3549	3372	3187	2983	-	-	-
18	1/3	0.24	700	5.9	2395	2155	1888	1443	-	-	-	-	-	SQB18PH1S ●	N/A
		0.36	800	7.6	2803	2592	2378	2135	-	-	-	-	-	-	-
	1/2	0.24	700	5.9	2395	2155	1888	1443	-	-	-	-	-	SQB18QH1S ●	SQB18QH3S ●
		0.56	925	10.2	3306	3119	2938	2752	2301	-	-	-	-	-	-
	3/4	0.30	750	6.7	2600	2376	2141	1845	-	-	-	-	-	SQB18RH1S ●	SQB18RH3S ●
		0.76	1025	12.6	3704	3531	3367	3204	2851	2364	-	-	-	-	-
	1	0.43	850	8.5	3005	2805	2607	2393	1662	-	-	-	-	SQB18SH1S ●	SQB18SH3S ●
		1.07	1150	15.9	4198	4039	3890	3745	3450	3119	2673	-	-	-	-
	1 1/2	0.66	975	11.3	3505	3326	3154	2981	2589	1754	-	-	-	SQB18TH1S ●	SQB18TH3S ●
		1.55	1300	20.0	4786	4642	4507	4376	4120	3854	3562	3202	-	-	-
	2	0.94	1100	14.6	4000	3837	3682	3531	3217	2846	2189	-	-	N/A	SQB18VH3S ●
		2.04	1425	23.0	5275	5140	5014	4893	4657	4422	4176	3906	-	-	-
20	1/3	0.29	575	5.5	3297	2923	2428	-	-	-	-	-	-	SQB20PH1S ●	N/A
		0.35	610	5.6	3539	3195	2778	2028	-	-	-	-	-	-	-
	1/2	0.29	575	5.5	3297	2923	2428	-	-	-	-	-	-	SQB20QH1S ●	SQB20QH3S ●
		0.52	700	8.3	4151	3862	3546	3167	-	-	-	-	-	-	-
	3/4	0.33	600	6.3	3470	3118	2683	-	-	-	-	-	-	SQB20RH1S ●	SQB20RH3S ●
		0.78	800	11.6	4819	4571	4311	4028	3286	-	-	-	-	-	-
	1	0.42	650	6.7	3813	3496	3134	2646	-	-	-	-	-	SQB20SH1S ●	SQB20SH3S ●
		1.06	885	14.5	5380	5158	4929	4688	4134	3286	-	-	-	-	-
	1 1/2	0.89	835	12.9	5051	4814	4568	4305	3661	-	-	-	-	SQB20TH1S ●	SQB20TH3S ●
		1.57	1010	19.0	6199	6005	5809	5607	5173	4665	3963	-	-	-	-
	2	0.97	860	13.7	5216	4987	4750	4498	3904	2801	-	-	-	N/A	SQB20VH3S ●
		2.09	1110	23.0	6849	6673	6496	6315	5938	5523	5038	4388	-	-	-
24	1/2	0.42	530	5.5	4426	3956	3416	2395	-	-	-	-	-	SQB24QH1S ●	SQB24QH3S ●
		0.54	580	7.1	4928	4502	4049	3485	-	-	-	-	-	-	-
	3/4	0.42	530	5.5	4426	3956	3416	2395	-	-	-	-	-	SQB24RH1S ●	SQB24RH3S ●
		0.80	660	9.9	5720	5343	4966	4558	3307	-	-	-	-	-	-
	1	0.52	570	6.8	4828	4394	3928	3325	-	-	-	-	-	SQB24SH1S ●	SQB24SH3S ●
		1.07	725	12.6	6356	6010	5670	5319	4488	-	-	-	-	-	-
	1 1/2	0.80	660	9.9	5720	5343	4966	4558	3307	-	-	-	-	SQB24TH1S ●	SQB24TH3S ●
		1.59	830	17.2	7375	7066	6768	6471	5843	5076	-	-	-	-	-
	2	0.86	675	10.5	5867	5498	5131	4738	3653	-	-	-	-	N/A	SQB24VH3S ●
		2.11	910	21.0	8145	7859	7584	7314	6763	6156	5400	-	-	-	-
	3	2.04	900	20.0	8049	7760	7483	7210	6650	6030	5237	-	-	N/A	SQB24WH3S ●
		3.10	1035	26.0	9340	9084	8838	8598	8122	7632	7101	6486	-	-	-

Performance certified is for installation Type B-free inlet, ducted outlet.
 Power ratings (BHP) do not include transmission losses.
 Performance ratings do not include the effects of appurtenances (accessories).

The sound ratings shown are loudness values in fan sones at 5 feet (1.5m) in a hemispherical free field calculated per AMCA Standard 301. Values shown are for installation Type A-Free inlet fan sone levels.

Performance at higher RPM for each horse power is standard for that unit. Reduced performance can be obtained down to the minimum shown at the lower RPM for each unit, by resetting the adjustable motor sheave.

*Tri-voltage (115-208-230) is standard on 3/4 through 1 1/2 Hp Single phase motors. Tri-voltage is available for the 1/2 Hp motors. Inquire for price and delivery.