

MODEL UBS

UPBLAST BELT DRIVE

PROPELLER ROOF EXHAUSTER

APPLICATION

Model UBS is a high capacity roof mounted exhauster rated from 7,000 to 31,480 CFM. They are general ventilation units designed to economically remove large volumes of air, fumes and vapors from commercial and industrial buildings such as warehouses, manufacturing and assembly plants, chemical plants, foundries and paper mills.

Straight-through air flow design results in maximum exhaust efficiency. During operation, the high air flow velocity opens butterfly dampers and helps prevent rain or snow from entering. Dampers close and cover the venturi opening when unit is not in use.

The roof mounted location eliminates interference with processes and equipment inside the building. It also permits locating the exhauster over a source of heated or contaminated air, allowing direct upward venting to the outside, unlike wall mounted exhausters which may move contaminated air through adjacent work spaces.

Belt drive units usually operate more quietly and afford easier performance adjustments, while direct drive models require less maintenance.

CONSTRUCTION

Panel Assembly

- Heavy-gauge G90 galvanized steel panel on all sizes.
- One piece venturi for maximum efficiency.
- Welded and bolted support structure of schedule 40 galvanized pipe.
- Motor/bearing plates of minimum 10 gauge galvanized steel.
- Lifting eyes standard for ease of installation.

Propeller

- Steel hub plate epoxy coated with steel taper lock bushing.
- Die formed, heavy-gauge, epoxy coated, steel blades.



Windband/Butterfly Dampers

- Heavy-gauge galvanized steel windband.
- Galvanized steel butterfly dampers standard.
- Galvanized rain channel drains water from damper area to roof.
- Corrosion resistant.

Drives

- Sized for minimum 150% of drive horsepower.
- Single belt adjustable pitch sheaves through 3 HP.
- Two belt fixed pitch sheaves on 5 HP units.
- Adjustable tension rods for belt adjustment.
- Nonstatic oil resistant v-belts.
- Keyed, turned, ground and polished shafts.

Bearings

- Bearings designed for minimum 200,000 hour life.
- Bearings are sealed, prelubricated with relube fittings.
- Bearings are heavy-duty, air handling design, self-aligning, pillow block type with cast iron housing.

Motors

- Brands are nationally recognized and locally serviced.
- Open drip-proof construction is standard.



LISTED POWER ROOF VENTILATOR
UL STANDARD 705

DIMENSIONAL DATA

MODEL UBS	A	B	C	D	E	F	METAL GAUGES		Average Ship Wt. Lbs.
							WIND SHROUD	FAN PANEL	
24	30	26	20	32	28	31	18	16	250
30	36	29	21	38	34	37	18	16	325
36	42	31	21	44	40	43	18	16	350
42	48	34	22	50	46	49	18	16	425
48	54	37	26	56	52	55	18	16	450
54	60	40	26	62	58	61	18	14	575
60	66	43	26	68	64	67	18	14	750

A - Outside Diameter of Windband.

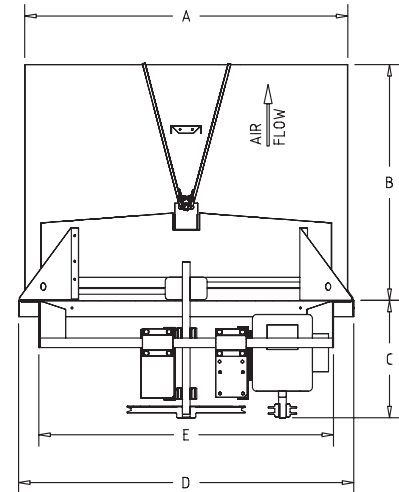
B - Height of Unit Above Curb Cap.

C - Maximum Depth of Unit Below Top of Curb, Actual Depth Varies with Motor Size.

D - Inside Dimension of Square Curb Cap.

E - Minimum Inside Dimension of Curb Opening

Required for Adequate Clearance of Fan Frame.
F - Outside Dimension of Factory Built Prefab Curb.



ACCESSORIES

MODEL UBS	RECOMMENDED 12" HIGH MOUNTING CURB		CUSHION CLOSE	MOTOR SAFETY RETAINING CHAIN
	OD	STOCK NO.	STOCK NO.	STOCK NO.
24	31	2302.12.24UBB ♦	1277.24 ♦	1460.4.100 ♦
30	37	2302.12.30UBB ♦	1277.30 ♦	1460.4.100 ♦
36	43	2302.12.36UBB ♦	1277.36 ♦	1460.4.100 ♦
42	49	2302.12.42UBB ♦	1277.42 ♦	1460.4.100 ♦
48	55	2302.12.48UBB ♦	1277.48 ♦	1460.4.100 ♦
54	61	2302.12.54UBB ♦	1277.54 ♦	1460.4.100 ♦
60	67	2302.12.60UBB ♦	1277.60 ♦	1460.4.100 ♦

Ship Schedules:
▲ 3 Day Shipment From Stock
♦ 10 Day Shipment

ALL DIMENSIONS IN INCHES, WEIGHTS IN POUNDS. OD IS OUTSIDE DIMENSION OF SQUARE CURB AND DAMPER. DUE TO CONTINUING RESEARCH, JENCOFAN RESERVES THE RIGHT TO CHANGE SPECIFICATIONS WITHOUT NOTICE.

PROPELLER ROOF VENTILATORS

MODEL UBS						Upblast Belt Drive Propeller Roof Exhauster					Ventilator with Open Drip-proof Motor and Drive Assembly	
MODEL UBS	MOTOR Hp	MAX BHp	RPM	SONES @ 1/4 SP	NO. OF BLADES	CFM at Static Pressure					115/208/230/1/60*	208- 230/460/3/60
						0	1/8	1/4	3/8	1/2	STOCK NO.	STOCK NO.
24	1	1.10	1200	26	4	7939	7511	7068	6461	5718	UBS24SH1S ♦	UBS24SH3S ♦
30	1	1.10	755	17.6	4	10546	9463	7865	5230	3906	UBS30SH1S ♦	UBS30SH3S ♦
	1 1/2	1.65	915	25	4	12781	11952	10895	9435	7270	UBS30TH1S ♦	UBS30TH3S ♦
	2	2.20	1030	31	4	14388	13700	12782	11745	10346	UBS30VH1S ♦	UBS30VH3S ♦
36	1	1.15	575	15.1	4	11872	10354	8064	5301	3522	UBS36SH1S ♦	UBS36SH3S ♦
	1 1/2	1.65	705	22	4	14557	13389	11962	9903	6871	UBS36TH1S ♦	UBS36TH3S ♦
	2	2.20	795	26	4	16514	15416	14200	12722	10776	UBS36VH1S ♦	UBS36VH3S ♦
	3	3.30	950	37	4	19087	18221	17299	16291	15181	N/A	UBS36WH3S ♦
42	1 1/2	1.65	510	16.8	4	16307	14087	11400	7270	5386	UBS42TH1S ♦	UBS42TH3S ♦
	2	2.20	600	23	4	19184	17283	15281	12804	8980	UBS42VH1S ♦	UBS42VH3S ♦
	3	3.30	700	37	4	22382	20749	19150	17245	15170	N/A	UBS42WH3S ♦
	5	5.50	790	48	4	25259	23813	22382	20885	19127	N/A	UBS42XH3S ♦
48	2	2.20	475	20	4	22656	20052	16506	10504	7559	UBS48VH1S ♦	UBS48VH3S ♦
	3	3.30	570	27	4	27187	25018	25563	19410	14113	N/A	UBS48WH3S ♦
	5	5.50	660	38	4	31480	29606	27732	25319	22538	N/A	UBS48XH3S ♦
54	3	3.30	400	20	4	29460	25454	20962	14718	11910	N/A	UBS54WH3S ♦
	5	5.50	495	32	4	39456	33013	30586	26237	19623	N/A	UBS54XH3S ♦
60	5	5.50	415	29	4	44555	40707	36545	27962	22834	N/A	UBS60XH3S ♦
	7 1/2	8.62	475	38	4	50996	47635	44150	39164	31620	N/A	UBS60YH3S ♦

Performance shown is for roof ventilators for installation type A: Free inlet, Free outlet. The power rating (BHP) does not include drive losses. Performance ratings do not include the effects of appurtenances in the airstream.

Sound ratings are loudness values in fan sones at 5 feet (1.5m) in a hemispherical free field calculated per AMCA Standard 301. Values are for installation type A: Free inlet fan sone levels. For additional sound data and for selections at other static pressures, please refer to the Optimizer Selection Program.

Due to air stream cooling, the motor loading into the service factor shown does not overheat the motor and is within NEMA recommended limits. BHP at most static pressure points is less than the maximum power shown - in many cases substantially less. Use Optimizer to see the exact BHP for your selection.