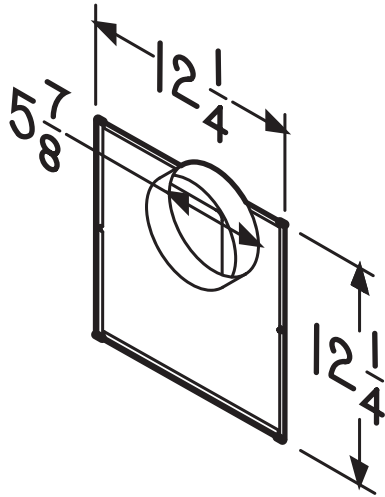


CEILING VENTILATOR ACCESSORIES



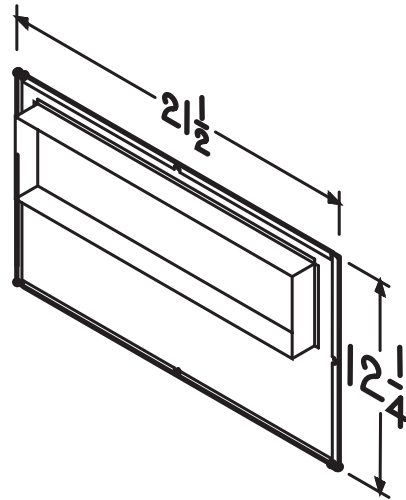
6393 Powers Avenue
 Jacksonville, Florida 32217-2298
 P: 904.731.4711 / F: 904.737.8322
 www.jencofan.com
 Soler&Palau Ventilation Group

IN-LINE ADAPTOR KITS FOR FF UNITS



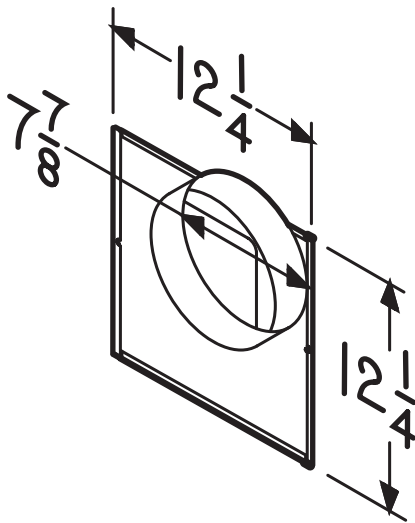
96IL IN-LINE ADAPTOR KIT

- Galvanized Steel
- Fits FF100 & FF150
- For 6" Round Duct Intake



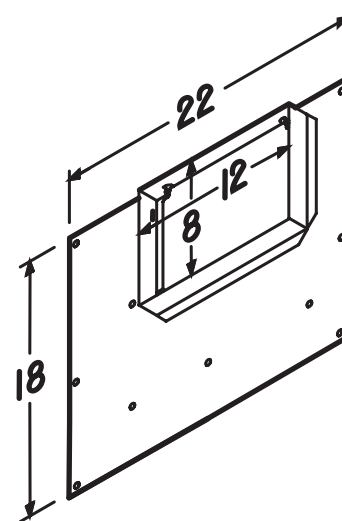
982L IN-LINE ADAPTOR KIT

- Galvanized Steel
- Fits FF400, FF500 & FF700
- 4 1/2" x 18 1/2" Duct Intake



98IL IN-LINE ADAPTOR KIT

- Galvanized Steel
- Fits FF200, FF250 & FF300
- For 8" Round Duct Intake



96IL IN-LINE ADAPTOR KIT

- Galvanized Steel
- Fits FF900 & FF1500
- 8" x 12" Duct Intake

Project: _____	Submitted: _____
Customer: _____	Approved: _____
Location: _____	

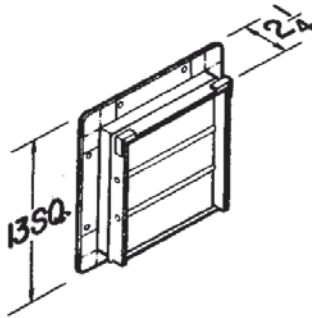
CEILING & INLINE VENTILATOR ACCESSORIES



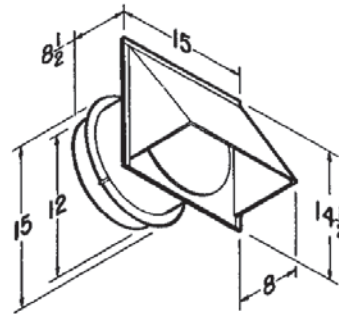
6393 Powers Avenue
 Jacksonville, Florida 32217-2298
 P: 904.731.4711 / F: 904.737.8322
 www.jencofan.com

Soler&Palau
 Ventilation Group

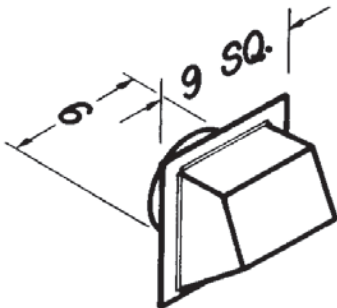
WALL CAPS FOR FF/FFC UNITS



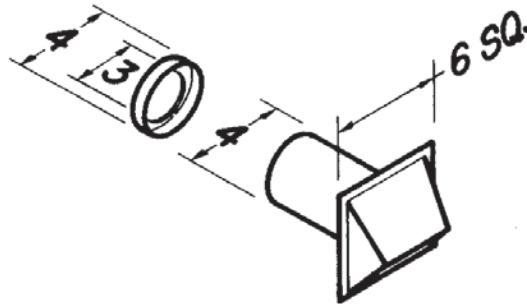
- Model 441**
- Gravity dampers
 - Collar with birdscreen for attaching 10" round duct
 - Steel construction with aluminum louvers



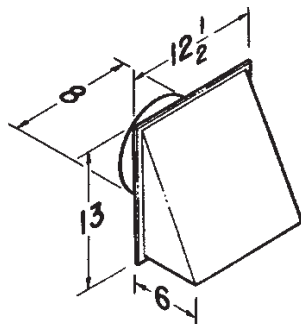
- Model 613**
- High Capacity
 - Built-in backdraft damper & birdscreen
 - Aluminum natural finish
 - For 12" round duct



- Model 641**
- Aluminum natural finish
 - Built-in backdraft damper & birdscreen
 - For 6" round duct



- Model 642**
- Aluminum natural finish
 - Built-in backdraft damper
 - For 3" or 4" round duct (4" to 3" transition included)



- Model 643**
- Aluminum natural finish
 - Built-in backdraft damper
 - For 8" round duct

Project: _____	Submitted: _____
Customer: _____	Approved: _____
Location: _____	

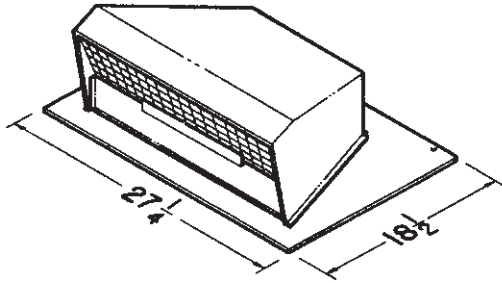
CEILING AND IN-LINE VENTILATOR ACCESSORIES



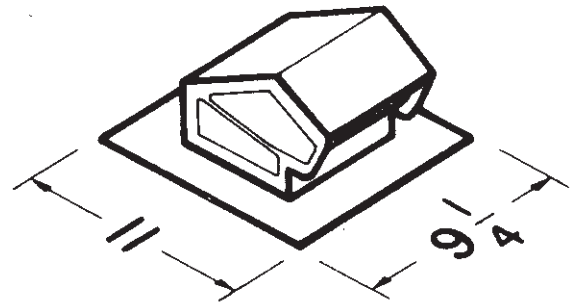
6393 Powers Avenue
 Jacksonville, Florida 32217-2298
 P: 904.731.4711 / F: 904.737.8322
 www.jencofan.com

Soler&Palau
 Ventilation Group

ROOF CAPS FOR FF/FFC UNITS

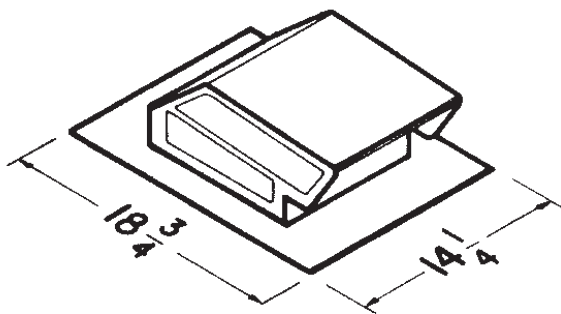


- Model 437**
- High capacity design - up to 1200 CFM
 - Built-in birdscreen
 - Steel, black electrically - bonded epoxy finish



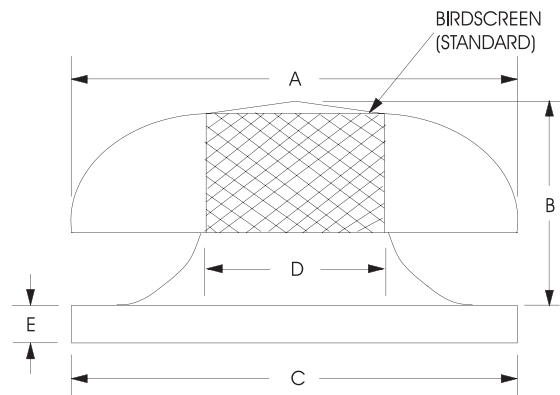
- Model 636**
- Black electrically - bonded epoxy finish
 - Built-in backdraft damper & birdscreen
 - For 3" or 4" round duct

- Model 636AL**
- Same as Model 636 - except Aluminum
 - Natural finish



- Model 634**
- Black electrically - bonded epoxy finish
 - Built-in backdraft damper & birdscreen
 - For 3 1/4" x 10" or up to 8" round duct

- Model 644**
- Same as Model 634 - except Aluminum
 - Natural finish



Size	A	B	C	D	E	Est. Wt.
18	32 3/4	12 1/2	29 1/2	18 5/8	2	35
20	32 3/4	12 1/2	29 1/2	20	2	35

Project: _____	Submitted: _____
Customer: _____	Approved: _____
Location: _____	

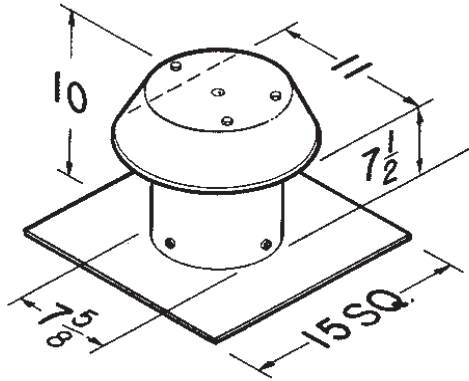
CEILING AND IN-LINE VENTILATOR ACCESSORIES



6393 Powers Avenue
 Jacksonville, Florida 32217-2298
 P: 904.731.4711 / F: 904.737.8322
 www.jencofan.com

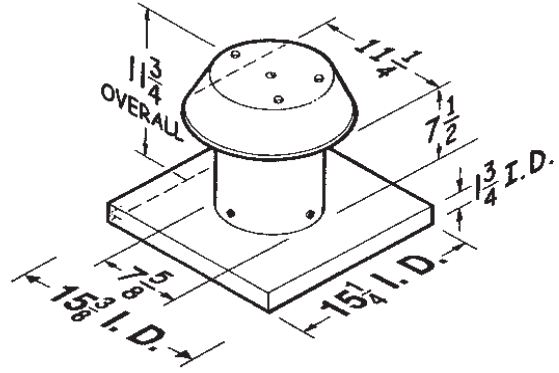
Soler&Palau
 Ventilation Group

ROOF CAPS FOR FF/FFC UNITS



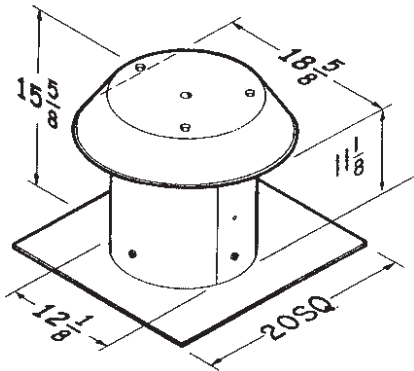
Model 611

- For flat roof installation
- Aluminum - natural finish
- Built-in birdscreen
- For up to 8" round duct



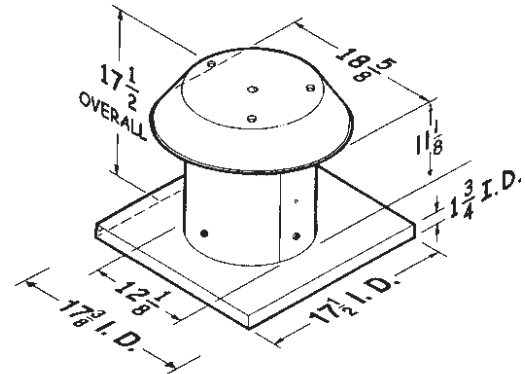
Model 611CM

- For curb mount installation
- Aluminum - natural finish
- Built-in birdscreen
- For up to 8" round duct



Model 612

- For flat roof installation
- Aluminum - natural finish
- Built-in birdscreen
- For up to 12" round duct



Model 612CM

- For curb mount installation
- Aluminum - natural finish
- Built-in birdscreen
- For up to 12" round duct

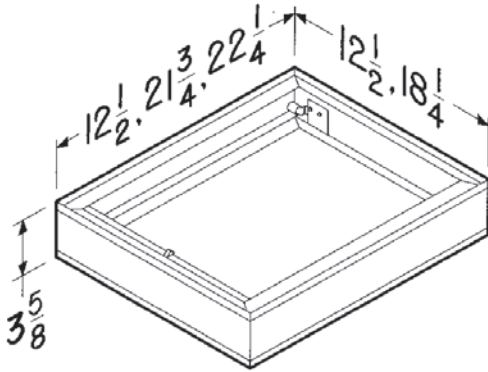
Project: _____	Submitted: _____
Customer: _____	Approved: _____
Location: _____	

CEILING AND IN-LINE VENTILATOR ACCESSORIES



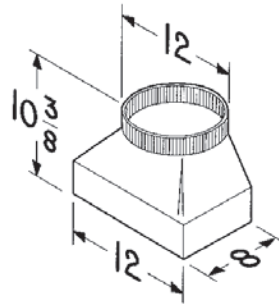
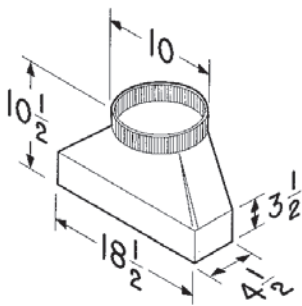
6393 Powers Avenue
 Jacksonville, Florida 32217-2298
 P: 904.731.4711 / F: 904.737.8322
 www.jencofan.com
 Soler&Palau Ventilation Group

RADIATION DAMPERS, DUCT TRANSITIONS, METAL GRILLS FOR FF/FFC UNITS



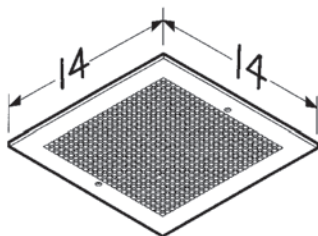
Models RD1, RD2 & RD3 Radiation Dampers

- UL rated 4-hour ceiling radiation dampers - classified for use in a 4-hour fire-rated ceiling
- Galvanized steel frame
- High temperature, non-asbestos, reinforced fiber thermal fabric
- 165° F fusible link
- Stainless steel negator-type closure spring
- RD1 (12 1/4" x 12 1/4") fits FF100 - FF300
- RD2 (21 1/2" x 18") fits FF400 - FF700
- RD3 (22" x 18") fits FF900 - FF1500



Models 423 & T81212 Duct Transitions

- Galvanized steel
- Allows for quick transition to easy-to-obtain-and-install round ducting
- 423 (4 1/2" x 18" to 10" round) for use with FF400 thru FF700
- T81212 (8" x 12" to 12" round) for use with FF900 and FF1500



Model MG1 Metal Grill Kit

- White enamel painted steel
- Mounting screws included
- Fits FF100, FF150, FF200, FF250 & FF300

Project: _____	Submitted: _____
Customer: _____	Approved: _____
Location: _____	