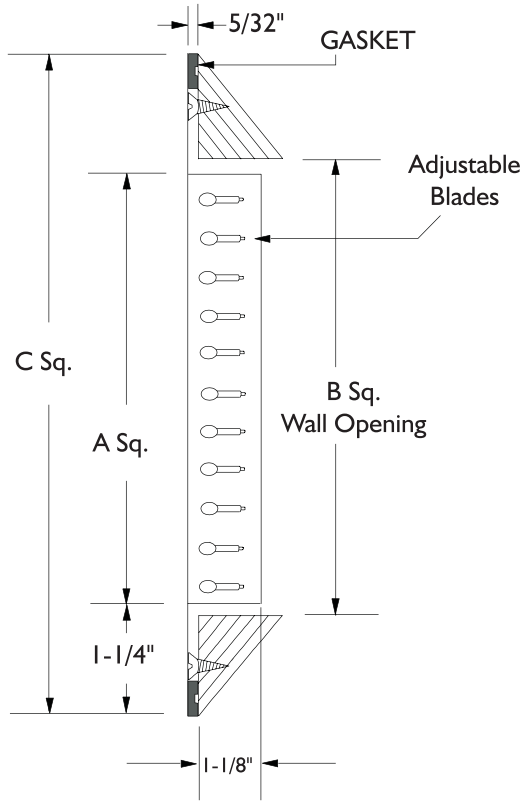


MODEL TXBW WALL GRILL



6393 Powers Avenue
 Jacksonville, Florida 32217-2298
 P: 904.731.4711 / F: 904.737.8322
 www.jencofan.com

Soler&Palau
 Ventilation Group



UNIT SIZE	GRILL SIZE	DIMENSIONS (in.)		
		A	B	C
06	14	13-1/2	14	16
08	14	13-1/2	14	16
10	14	13-1/2	14	16
12	22	21-1/2	22	24
15	22	21-1/2	22	24
18/20	25	24-1/2	25	27
24	28	30-1/2	31	33

UNIT SIZE	MARK/TAG NO.	NOTES

Project: _____ Submitted: _____
 Customer: _____ Approved: _____
 Location: _____

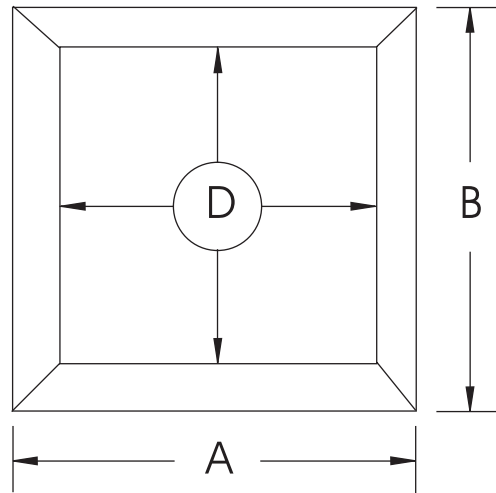
MODEL TXBW WALL MOUNT ADAPTOR FLANGE



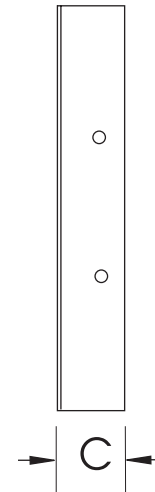
6393 Powers Avenue
Jacksonville, Florida 32217-2298
P: 904.731.4711 / F: 904.737.8322
www.jencofan.com



FRONT VIEW



SIDE VIEW



SIZE	A	B	C	D	GALV. GA.	ALUM GA.
6	16-1/4	16-1/4	6	14	12	.125
8	16-1/4	16-1/4	6	14	12	.125
10	16-1/4	16-1/4	6	14	12	.125
12	23-3/4	23-3/4	6	22	10	.125
15/16	23-3/4	23-3/4	6	22	10	.125
18/20	29-1/4	29-1/4	6	25	10	.125
24	35-1/4	35-1/4	6	31	10	.125

UNIT SIZE	MARK/TAG NO.	NOTES

Project: _____	Submitted: _____
Customer: _____	Approved: _____
Location: _____	

WALL MOUNTING KIT ASSEMBLY INSTRUCTIONS

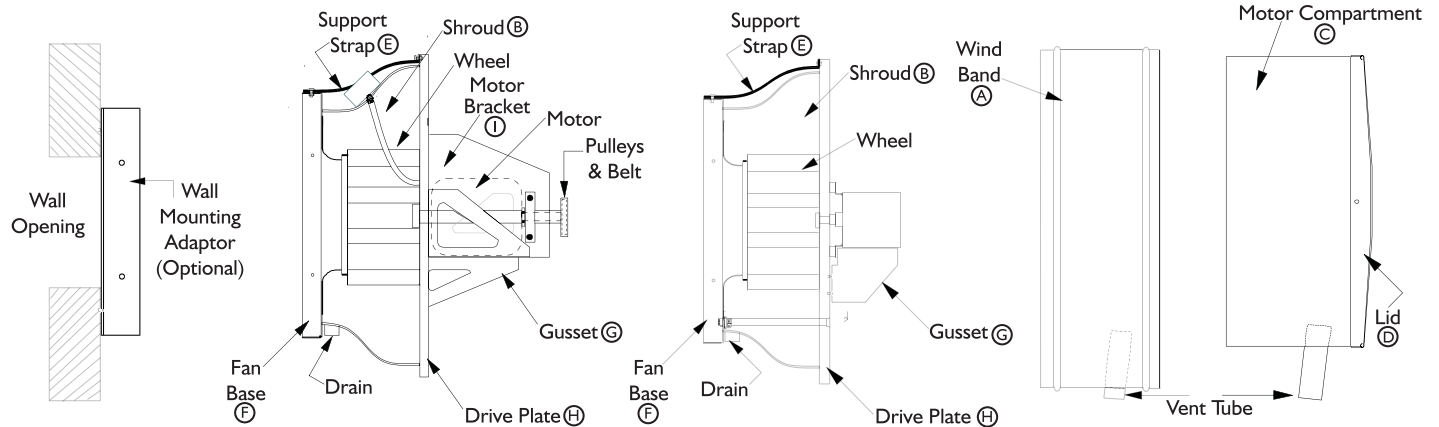
MODELS: TXBW & TXDW



6393 Powers Avenue
Jacksonville, Florida 32217-2298
P: 904.731.4711 / F: 904.737.8322
www.jencofan.com

Soler&Palau
Ventilation Group

The centrifugal power roof ventilators model TXB (belt drive) and TXD (direct drive) can be factory ordered as wall mount or converted to wall mount units by field installing internal motor/bracket gusset and/or an external shroud support strap.



PARTS LIST - PART # (QTY)

TXB WALL MOUNT KITS (BELT DRIVE)		TXD WALL MOUNT KITS (DIRECT DRIVE)			
Kit includes: Wall mount strap, gusset, upper support strap, flange nuts & bolts		Optional Wall Mount Adaptor			
Kit includes: Wall mount gusset, upper support strap and flange bolts.	Optional Wall Mount Adaptor				
6 & 8	#100401	700708-2	6 (1)	#100409	700708-2
10	#100402	700708-2	8 (1)	#100408	700708-2
12 & 15	#100403	700709-2	10	#100406	700708-2
18 & 20	#100404	700710-2	12, 14, 15	#100407	700709-2
24	#100405	700711-2	1515	#100410	700709-2

(1) Gusset not required on TXD 6" & 8" units.

INSTALLATION / ASSEMBLY INSTRUCTIONS:

Disconnect electrical power before servicing or assembling. Place the unit on a table or other stable surface.

1. Remove cotter pin & slide vent tube out.
2. Remove windband (A) from lower shroud (B) by removing eight (8) number 14 SS screws.
3. Remove motor compartment (C) and Lid (D) by removing four (4) number 14 SS screws.
4. Attach support strap (E) to fan base (F) by bolting thru the fan base with a 5/16 bolt & locking in place with a 5/16 nut on the outside of base.
5. To attach top end of support strap (E) to shroud by placing 5/16 bolt thru strap and shroud, then lock in place with 5/16 nut on the inside of shroud flange.
6. Attach gusset (G) to motor drive plate (H) (direct drive). Attach gusset (G) to drive support plate (H) (belt drive) and to motor bracket (I) with 5/16 X 1" bolts. Bolt the direct drive gusset to the drive plate only.
7. Bolt belt drive gusset to drive plate with bolt coming thru the drive plate and the locknut on top side of drive plate and gusset.
8. Re-assemble housing (steps 3, 2 then 1) using care not to damage the threaded fasteners by overtightening.

Only a qualified professional should perform the fan installation. **IMPORTANT:** The fan must be installed with the drain and vent tube on the underside of the fan for weather protection and proper operation.

For additional safety precautions please refer to AMCA Bulletin #410 "Recommended Safety Practices for Users and Installers of Industrial and Commercial Fans".

GREASEGRABBER

The Greasegrabber system is manufactured for code compliance for grease retention, helping keep rooftops grease free in an easy and economical way. Effective use requires scheduled maintenance or replacement depending on the severity of the grease transfer. Consult local codes for precedence.



6393 Powers Avenue
 Jacksonville, Florida 32217-2298
 P: 904.731.4711 / F: 904.737.8322
 www.jencofan.com



MATERIAL SAFETY DATA SHEET

AMI-34-0, AMI-38-0, AMI-30-0, AMI-35-0, AMI-37-0, AMI-39-0, AMI-102
 MAY BE USED TO COMPLY WITH OSHA'S HAZARD
 COMMUNICATION STANDARD 29 CFR 1910, 120

SECTION I - JencoFan

SECTION II - Hazardous ingredients/identity information

Non-Hazardous

Polyester Enclosure - (C¹⁰H⁸O⁴)N

Polypropylene Fill- Polyolefin chemical family (C³H⁵)N

Consists of: Polypropylene 93%
 Polyester Enclosure 7% No Enclosure for AMI-102

Both cleophilic and hydrophobic can be wrung out and reused.

SECTION III - Physical/Chemical Characteristics

Boiling Point N/A Specific Gravity 0.9

Vapor Pressure N/A Melting Point 320°F

Vapor Density N/A Evaporation Rate N/A

Blue in color, essentially odor free. Insoluble in water.

SECTION IV - Fire and Explosion Hazard Data

Auto-ignition temperature 825°F

Flammable Limits: N/A LEL: N/A UEL: N/A

Extinguishing Media: Water spray, water fog, foam, CO², dry chemicals.

Special Fire Fighting Procedures: Use water spray to cool fire-exposed surfaces and to protect personnel.

Unusual Fire and Explosion Hazards: Some carbon monoxide formation is possible under oxygen-lean conditions.

SECTION V - Reactivity Data

Stable. Hazardous polymerization will not occur.

SECTION VI - Health Hazard Data

Product is non-toxic and non-hazardous. No advisory data needed.

SECTION VII - Precautions for Safe Handling and Use.

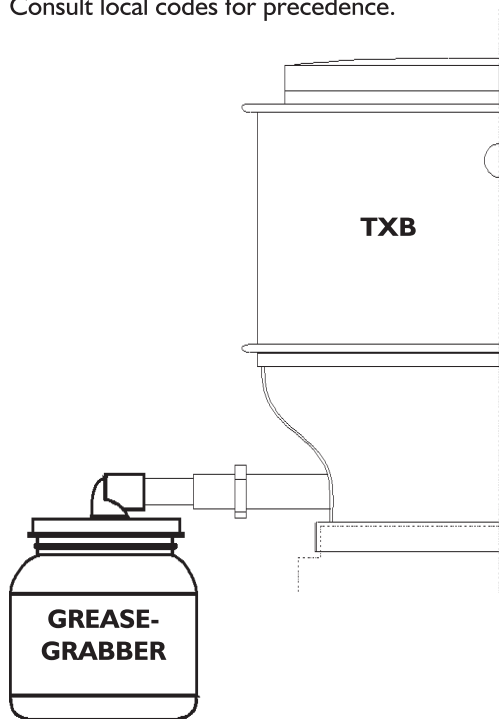
Waste Disposal Method. Incineration encouraged. Landfill permitted (if not saturated with regulated substance. Check local regulations.

Precautions to be taken in Handling and Storing: Do not store near open flame, high heat or strong oxidants.

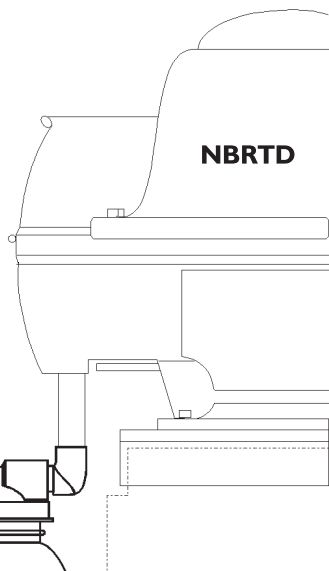
Other precautions: Polypropylene, when heated, becomes very sticky and will burn. Use self-contained air mask to enter smoky area in event of fire.

SECTION VIII - Control Measures

Product requires no special ventilation or protective clothing when in use.



All Mounting Parts
Included



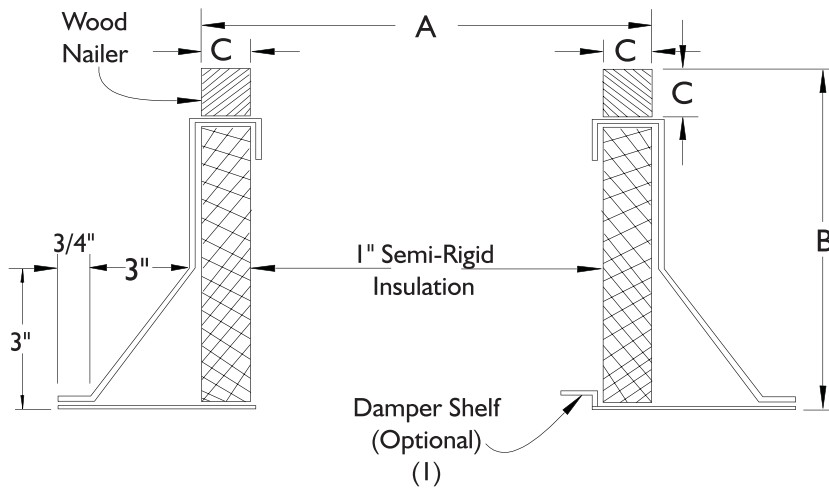
All Mounting Parts
Included

Project: _____	Submitted: _____
Customer: _____	Approved: _____
Location: _____	

INSULATED CANTED ROOF CURB NON-PROPELLER PRODUCTS



6393 Powers Avenue
Jacksonville, Florida 32217-2298
P: 904.731.4711 / F: 904.737.8322
www.jencofan.com



OPTIONS:

1. Damper Shelf.
2. Insulation retainers - solid or screen type.
3. Burglar bars - 1/2" dia. on 6" centers.
4. Finishes - baked or air-dried enamel or epoxy.
5. Heights: 8, 12, 16, 18, 20, 24" or special heights.
6. Single pitch or double pitch.
7. Aluminum construction.
8. Standard curb is "RF" roof over type. ("SF" available upon request)

FAN SIZE	"A" OD (Square) CURB					DB		"B" CURB HEIGHT	"C" WOOD NAILER
	TXB	TXD	NBRTD	RCX I I	RED / LPD	FAN SIZE	CURB OD "A"		
6	-	14-3/4	-	-	14-3/4	6	14-3/4	12" STD	1-1/2" Sq
8	14-3/4	14-3/4	-	14-3/4	14-3/4	8	14-3/4		
10	14-3/4	14-3/4	-	14-3/4	14-3/4	9	14-3/4		
12	22-1/4	22-1/4	-	22-1/4	22-1/4	11	22-1/4		
14	-	-	18-1/2	-	-	-	-		
15	22-1/4	22-1/4	-	22-1/4	22-1/4	12	22-1/4		
18	27-3/4	-	22-1/2	27-3/4	-	14	22-1/4		
20	-	-	-	27-3/4	-	16	22-1/4		
24	33-3/4	-	28-1/2	33-3/4	-	18	27-3/4		
26	-	-	-	33-3/4	-	20	27-3/4		
30	40-3/4	-	-	40-3/4	-	24	33-3/4		
33	-	-	-	40-3/4	-	30	40-3/4		
36	40-3/4	-	-	40-3/4	-	34	40-3/4		
42	53-1/4	-	-	-	-	42	53-1/4		
48	53-1/4	-	-	-	-	48	53-1/4		

1. Damper shelf opening to be 1" less than damper size. Shelf must be specified if required.
2. All curbs are 18 gauge G-90 galvanized steel with continuous seams.
3. See current curb submittal for all propeller fan roof curbs.

ROOF OPENING
Curb O.D. (A Dimension) Less 3.25 inches

ACCESSORY ITEMS	1	2	3	4	5	ACCESSORY ITEMS	1	2	3	4	5
<input type="checkbox"/>						<input type="checkbox"/>					
<input type="checkbox"/>						<input type="checkbox"/>					
<input type="checkbox"/>						<input type="checkbox"/>					
<input type="checkbox"/>						<input type="checkbox"/>					
<input type="checkbox"/>						<input type="checkbox"/>					

Project: _____ Submitted: _____
 Customer: _____ Approved: _____
 Location: _____

TYPE SF SELF-FLASHING CURB



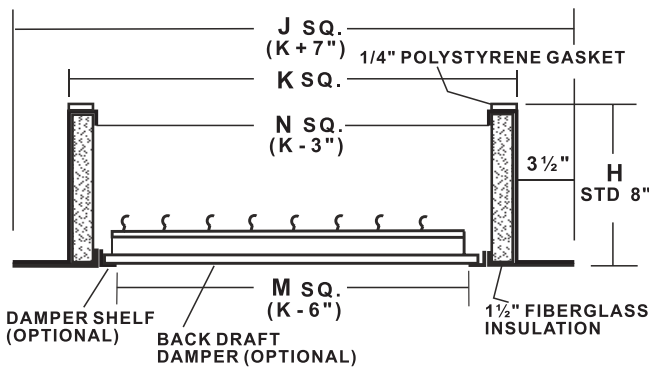
6393 Powers Avenue
Jacksonville, Florida 32217-2298
P: 904.731.4711 / F: 904.737.8322
www.jencofan.com



STANDARD FEATURES

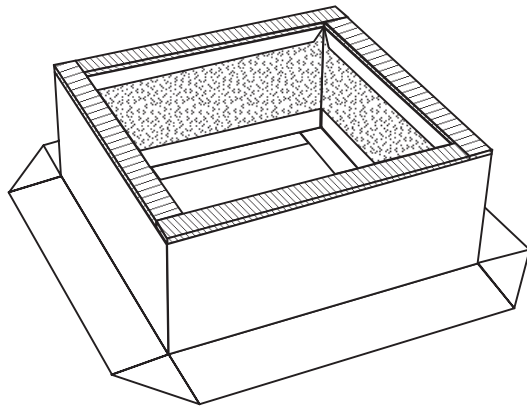
- Constructed of 18 ga. galv. steel with continuous welded seams and integral base plate for water tightness and extra strength.
- Wide base flashing to insure adequate bond to roofing surface for water tight seal to roof.
- Lined with 1-1/2" fiberglass fire proof sound attenuating thermal insulation.
- Top of curb covered with 1/4" polystyrene gasket for weather seal and to reduce metal to metal conducted noise.

PROJECT	
LOCATION	
ARCHITECT	
ENGINEER	
CONTRACTOR	
SUBMITTED BY	
DATE	P.O. NO.



OPTIONS

- Constructed of .063" aluminum.
- Interior metal liner.
- Standard heights of 12, 14, 16, 18, 20, 24", or any special height.
- Damper shelf - standard or custom size opening.
- Wide flange (6" or 8" wide).
- Backdraft damper.
- Protective or decorative coatings.
- Heavy-gauge construction.



SPECIFICATIONS AND DIMENSIONS

REFERENCE	QUANTITY	GALV. OR ALUM.	K	N	M	H	OPTIONS

TYPE RFR SPECIAL RESTAURANT CURBS ROOF-OVER-FLASHING TYPE



6393 Powers Avenue
Jacksonville, Florida 32217-2298
P: 904.731.4711 / F: 904.737.8322
www.jencofan.com

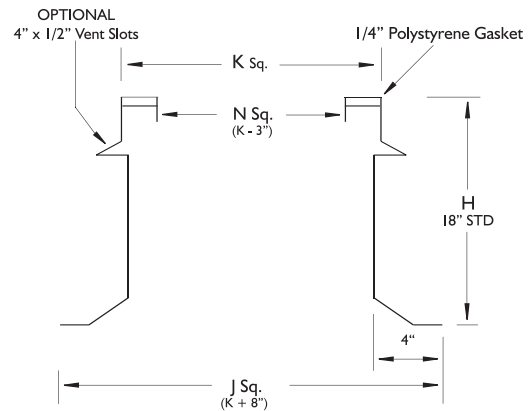
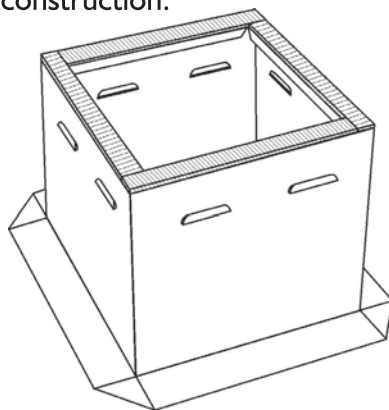


STANDARD FEATURES

- Constructed of 18 ga. galv. steel with continuous welded seams and integral base plate for water tightness and extra strength.
- Large 3" built-in 45° cant to accommodate roofing to top of curb.
- Welded corners have beveled cants for better lay of materials at corners.
- Insulation not furnished when curb is equipped with special ventilation slots.
- Top ledge covered with 1/4" polystyrene gasket for weather seal and to reduce metal conducted noise.
- Minimum curb height is 18" to comply with NFPA Bulletin 96.

OPTIONS

- Constructed of .063" aluminum.
- Interior metal liner.
- 1-1/2" glass fiber insulation (not available if sides vented).
- Optional 4" x 1/2" vent louvers - 1 to 4 sides.
- Any height.
- Raised cant 1-1/2" to 4".
- Protective or decorative coatings.
- Heavy-gauge construction.



PROJECT	
LOCATION	
ARCHITECT	
ENGINEER	
CONTRACTOR	
SUBMITTED BY	
DATE	PO. NO.

SPECIFICATIONS AND DIMENSIONS

REFERENCE	QUANTITY	GALV. OR ALUM.	K	N	H	OPTIONS

**CURB CAP ADAPTOR
SPUN PRODUCTS ONLY
(+ or - 4 inches)
Square ONLY - NO Rectangles**



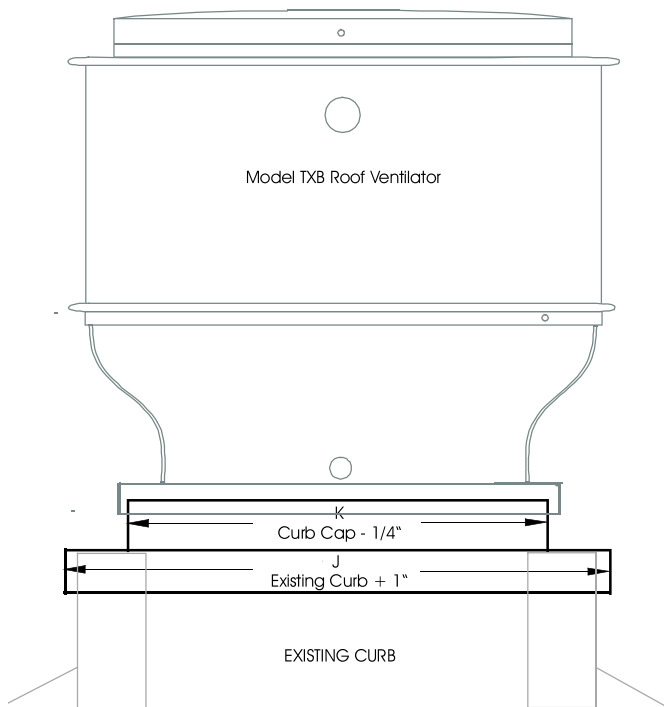
6393 Powers Avenue
Jacksonville, Florida 32217-2298
P: 904.731.4711 / F: 904.737.8322
www.jencofan.com

Soler&Palau
Ventilation Group

STANDARD FEATURES

- Heavy-gauge aluminum construction with continuous welded seams for water tightness and extra strength.

PROJECT	
LOCATION	
ARCHITECT	
ENGINEER	
CONTRACTOR	
SUBMITTED BY	
DATE	P.O. NO.



K - MEASUREMENT
1/4" LESS THAN FAN BASE

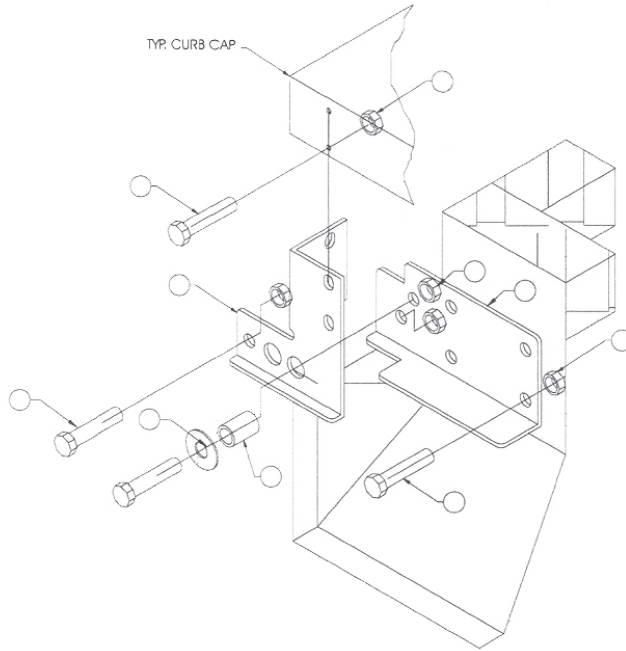
J - MEASUREMENT
1" LARGER THAN EXISTING CURB O.D.

SPECIFICATIONS AND DIMENSIONS				
REFERENCE	QUANTITY	K	J	OPTIONS

CURB HINGE ACCESSORY



6393 Powers Avenue
 Jacksonville, Florida 32217-2298
 P: 904.731.4711 / F: 904.737.8322
 www.jencofan.com
 Soler&Palau Ventilation Group



ITEM #	PART #	DESCRIPTION	QTY	ITEM #	PART #	DESCRIPTION	QTY
1	634012	3/8" Flat Washer	2	6	90005802	Hinge Bracket Left Half	1
2	634025	3/8-16 Loknut	2	7	90005101	Curb Hinge Bracket Right	1
3	603656	3/8 x 1-1/4" Long Spacer	2	8	634002	5/16-18 x 3/4 Hex Bolt	16
4	634138	3/8-16 x 2" Long Bolt	4	9	634027	5/16-18 Flange Nut	16
5	90005702	Hinge Bracket Right Half	1	10	90005201	Curb Hinge Bracket Left*	1
				11	634028	1 3/8-16 Flange Nut	2

*Items on opposite side, not shown

Note: Curb cap needs to be 1/2" minimum larger than the roof curb or roof curb adaptor to allow for bolt head clearance and curb cap tilting around the roof curb or roof curb adaptor.

1. With fan in place on roof curb, locate the hinge cap on both end, mark the holes for 5/16" diameter bolts, drill (8) 1 1/32" diameter holes at the marked locations.
2. Attach the hinge cap (items 6 & 7) to curb cap or fan using (8) 5/16" bolts & flanged nuts, locate bolt head on the inside of the curb cap.
3. With unit in place on roof curb, align curb hinge on roof curb or curb cap adaptor as shown and mark the (8) locations in the roof curb or curb adaptor**.
4. Drill (8) 1 1/32" diameter holes in previously marked hole locations.
5. Attach curb hinge to roof curb using (8) 5/16" diameter bolts.
6. You can now tilt the fan open about 60°, use the 3/8" bolt to lock the fan in place and prevent it from tipping or slamming shut.
7. Remove the locking bolt when closing back the fan in place, store the bolt next to the fan for future openings or locks.

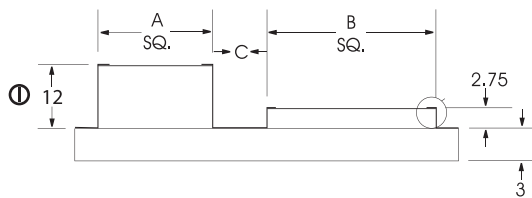
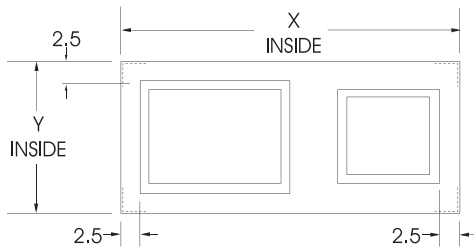
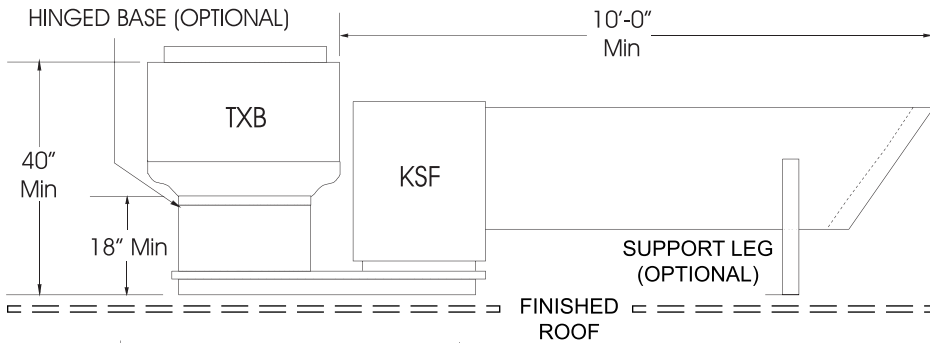
CAUTION: Make sure to remove grease box (if applicable) when tilting the fan to prevent any spillage.

** Two hinge pivot holes are provided in the curb hinge to allow the curb hinge to be mounted higher or lower on the roof curb as required.

EXHAUST & SUPPLY COMMON CURB CAP ADAPTOR FOR MODELS TXB & KSF



6393 Powers Avenue
Jacksonville, Florida 32217-2298
P: 904.731.4711 / F: 904.737.8322
www.jencofan.com



TYPICAL INSTALLATION

NFPA96 requires a 10 foot minimum distance between the exhaust fan and supply fan intake. The intake extension (optional) provides this clearance. Also required are hinged curb caps (optional) on the exhaust fan and some areas require a vented curb extension.

NFPA96 ALTERNATE INSTALLATION

Where space limitations absolutely prevent a 10 foot separation from the air intake, a vertical separation may be permitted with the exhaust outlet being a minimum of 3 feet above any air intake located within 10 feet horizontally. **IMPORTANT:** Always check with the authority having jurisdiction to verify local codes and requirements.

COMMON CURB AND ADAPTOR

The common curb and adaptor allows for mounting both the exhaust fan and supply fans onto one roof opening. Follow the chart below for sizing and ordering common curbs and adaptors.

① Maintains 40" exhaust discharge height when used with a standard 8" high roof curb.

MODEL		PART NUMBER COMMON CURB	ROOF CURB OD	PART NUMBER CURB CAP ADAPTOR	CURB CAP ADAPTOR X x Y OD	CURB CAP ADAPTOR	
TXB	KSF					Exhaust Fan Outlet A Sq.	Supply Fan Outlet B Sq.
6/8/10	9	2302.BC 10 x 9	55-3/4 x 27-1/2	2302.BA 10 x 9	56-3/4 x 29	16	23-3/4
12	9	2302.BC 12 x 9	59-1/4 x 27-1/2	2302.BA 12 x 9	60-3/4 x 29	23-1/2	23-3/4
15	10	2302.BC 15 x 10	65 x 31-1/4	2302.BA 15 x 10	66-1/2 x 32-3/4	23-1/2	27-3/4
15	12/15	2302.BC 15 x 12/15	69 x 35-1/4	2302.BA 15 x 12/15	70-1/4 x 36-3/4	23-1/2	31-3/4
18/20	12/15	2302.BC 18 x 12/15	74-1/2 x 35-1/4	2302.BA 18 x 12/15	76 x 36-3/4	29	31-3/4
24	15	2302.BC 24 x 15	82-1/2 x 38-1/2	2302.BA 24 x 15	84 x 40	35	31-3/4
24	18	2302.BC 24 x 18	86-1/2 x 39-1/4	2302.BA 24 x 18	88 x 40-3/4	35	35-3/4
30	18	2302.BC 30 x 18	94-1/2 x 45-3/4	2302.BA 30 x 18	96 x 47-1/4	42	35-3/4
30	20	2302.BC 30 x 20	108-1/2 x 54-1/4	2302.BA 30 x 20	110 x 55-3/4	42	50-1/4
36	20	2302.BC 36 x 20	113-1/2 x 54-1/4	2302.BA 36 x 20	115 x 55-3/4	42	50-1/4

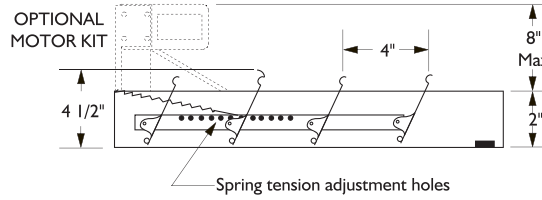
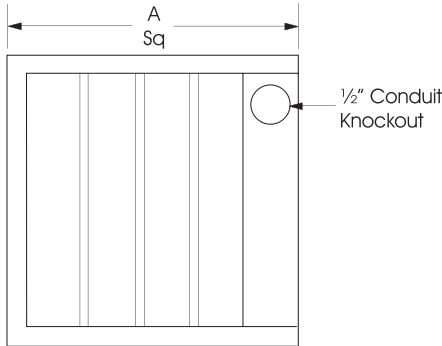
ACCESSORY ITEMS	1	2	3	4	5	ACCESSORY ITEMS	1	2	3	4	5
<input type="checkbox"/>						<input type="checkbox"/>					
<input type="checkbox"/>						<input type="checkbox"/>					
<input type="checkbox"/>						<input type="checkbox"/>					
<input type="checkbox"/>						<input type="checkbox"/>					
<input type="checkbox"/>						<input type="checkbox"/>					

Project: _____ Submitted: _____
 Customer: _____ Approved: _____
 Location: _____

BACKDRAFT DAMPER FOR ROOF MOUNTED AND INLINE CENTRIFUGAL/PROPELLER EXHAUST FANS



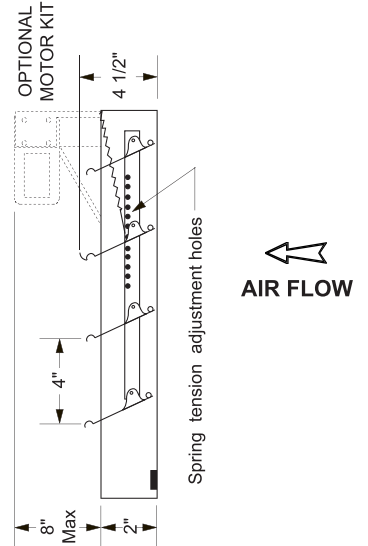
6393 Powers Avenue
Jacksonville, Florida 32217-2298
P: 904.731.4711 / F: 904.737.8322
www.jencofan.com



↑
AIR FLOW

CAUTION: Motor kits are not suitable for use in explosive or flammable areas or airflows.

For low velocity (CFM) field adjustment of spring tension may be required to ensure that damper blades open completely.



FAN SIZE	CENTRIFUGAL ROOF FANS	INLINE FANS		PROPELLER
	DB, RED, TXB, LPD, TXD	SQB	SQD	ARE
	"A" SQUARE	"A" SQUARE	"A" SQUARE	"A" SQUARE
6	11	-	9	-
7	-	12	-	-
8	11	12	12	-
9	11	-	-	-
10	11	14	14	14
11/12	18	18	16	18
14	18	-	-	-
15	18	22	20	-
16	18	-	-	22
18	24	24	-	-
20	24	28	-	26
24	30	35	-	-
30	36	40	-	-
36	36	48	-	-
42	48	54	-	-
48	48	-	-	-

STANDARD SPECIFICATIONS:

Maximum Face Velocity: 1000 fpm.
Dimensions: See sizing chart
"A" Dimension is square damper size.
Frame: 19 Ga galvanized steel.
Blades: 26 gauge aluminum.
Blade pivots: Stainless steel rivet at all pivot points.
Seals: Felt between adjacent blades.
Counter Balance: Adjustable spring tension.
Finish: Mill.
Max Temp: Damper 250° F
Motor 130° F

CAUTION: Motor kits are not suitable for use in explosive or flammable areas or airflows.

NOTES:

- (1) Units are undersized 1/4" to fit in square ducts.
- (2) Do not mount fan less than 1/3 diameter of the fan from the damper.
- (3) Dampers shipped in individual cartons.
- (4) Motor kits ship loose for field installation.

ACCESSORY ITEMS	1	2	3	4	5	ACCESSORY ITEMS	1	2	3	4	5
<input type="checkbox"/>						<input type="checkbox"/>					
<input type="checkbox"/>						<input type="checkbox"/>					
<input type="checkbox"/>						<input type="checkbox"/>					
<input type="checkbox"/>						<input type="checkbox"/>					
<input type="checkbox"/>						<input type="checkbox"/>					

Project: _____ Submitted: _____
Customer: _____ Approved: _____
Location: _____