

MODEL TXD DIRECT DRIVE CENTRIFUGAL UPBLAST ROOF EXHAUSTER



6393 Powers Avenue
Jacksonville, Florida 32217-2298
P: 904.731.4711 / F: 904.737.8322
www.jencofan.com

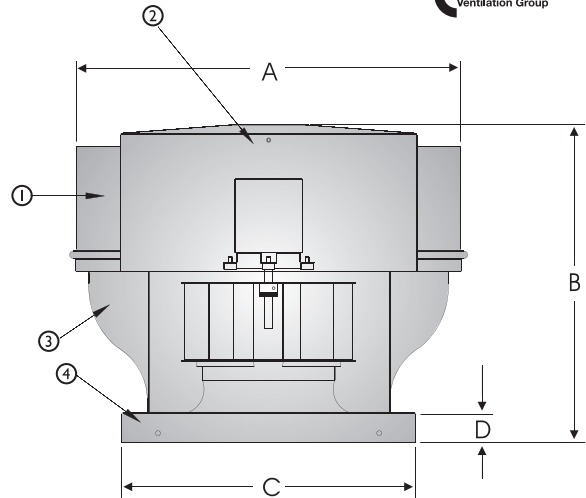
Soler&Palau
Ventilation Group

STANDARD CONSTRUCTION FEATURES

- Aluminum Housing with Stainless Steel Exterior Fasteners.
- Aluminum Backward Inclined Wheel.
- Prepunched Aluminum Curb Cap with Welded Corners.
- Single Piece Aluminum Birdscreen & Windband.
- Neoprene Vibration Isolators.
- Conduit Wiring Chase.
- Factory Disconnect Switch or Plug Type. (Except XP & 2 Speed).

SIZE	DIMENSIONS (IN.)			
	A	B	C	D
6 / 8	24	22	16 1/2	2
10	24 1/4	22	16 1/2	2
12	31 1/2	23	24	2
14 / 15	31 1/2	23	24	2

A - Outside diameter of unit.
B - Height of unit.
C - Inside dimension of square curb cap.
D - Depth of curb mounting flange.



OPTIONAL UL 705
(Must be specified) UL 762 (Grease)

SIZE	DIMENSIONS (IN.)			ALUMINUM METAL GAUGES				FAN WT. (LBS)	AVG. SHIP WT. (LBS)
	DAMPER OD	ROOF OPENING	CURB OD	WIND BAND ①	MOTOR COVER ②	SHROUD ③	BASE ④		
6 / 8	11	12	15	.050	.080	.063	.050	45	76
10	11	12	15	.050	.050	.063	.063	70	105
12	18	19 1/4	22 1/4	.050	.050	.063	.063	80	115
14 / 15	18	19 1/4	22 1/4	.050	.050	.063	.063	85	120

FAN SPECIFICATIONS									MOTOR SPECIFICATIONS				
Line	Qty.	Model No.	Tag	CFM	SP	Fan RPM	BHP	Sones	HP	Volts	Phase	Hertz	Encl
1													
2													
3													
4													
5													

ACCESSORY ITEMS					ACCESSORY ITEMS						
	1	2	3	4	5		1	2	3	4	5
<input type="checkbox"/>						<input type="checkbox"/>					
<input type="checkbox"/>						<input type="checkbox"/>					
<input type="checkbox"/>						<input type="checkbox"/>					
<input type="checkbox"/>						<input type="checkbox"/>					
<input type="checkbox"/>						<input type="checkbox"/>					

MODEL TXDW DIRECT DRIVE CENTRIFUGAL UPBLAST SIDEWALL EXHAUSTER



6393 Powers Avenue
Jacksonville, Florida 32217-2298
P: 904.731.4711 / F: 904.737.8322
www.jencofan.com

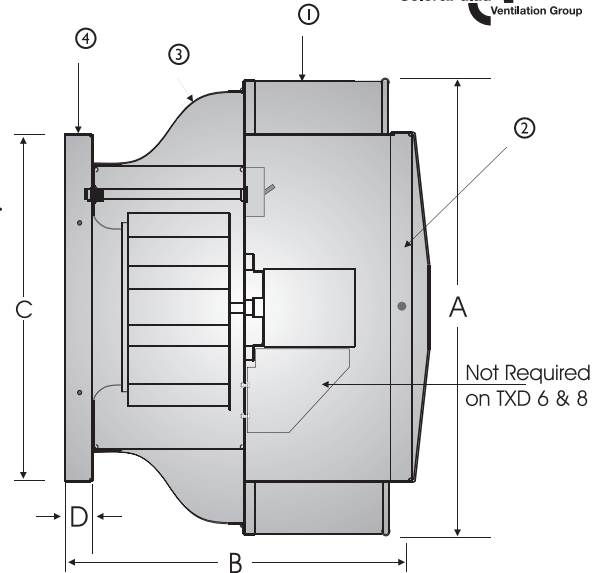


STANDARD CONSTRUCTION FEATURES

- Aluminum Housing with Stainless Steel Exterior Fasteners.
- Aluminum Backward Inclined Wheel.
- Prepunched Aluminum Curb Cap with Welded Corners.
- Single Piece Aluminum Birdscreen & Windband.
- Neoprene Vibration Isolators.
- Conduit Wiring Chase.
- Factory Disconnect Switch or Plug Type. (Except XP & 2 Speed).

SIZE	DIMENSIONS (IN.)			
	A	B	C	D
6 / 8	24	22	16 1/2	2
10	24 1/4	22	16 1/2	2
12	31 1/2	23	24	2
14 / 15	31 1/2	23	24	2

A - Outside diameter of unit.
B - Height of unit.
C - Inside dimension of square curb cap.
D - Depth of curb mounting flange.



SIZE	DIMENSIONS (IN.)		ALUMINUM METAL GAUGES				FAN WT. (LBS)	AVG. SHIP WT. (LBS)
	DAMPER OD	WALL OPENING	WIND BAND ①	MOTOR COVER ②	SHROUD ③	BASE ④		
6 / 8	11	12	.050	.050	.063	.050	45	76
10	11	12	.050	.050	.063	.063	70	105
12	18	19 1/4	.050	.050	.063	.063	80	115
14 / 15	18	19 1/4	.050	.050	.063	.063	85	120



OPTIONAL
(Must be specified)
UL 705
UL 762 (Grease)

FAN SPECIFICATIONS									MOTOR SPECIFICATIONS				
Line	Qty.	Model No.	Tag	CFM	SP	Fan RPM	BHP	Sones	HP	Volts	Phase	Hertz	Encl
1													
2													
3													
4													
5													

ACCESSORY ITEMS	1	2	3	4	5	ACCESSORY ITEMS	1	2	3	4	5
<input type="checkbox"/>						<input type="checkbox"/>					
<input type="checkbox"/>						<input type="checkbox"/>					
<input type="checkbox"/>						<input type="checkbox"/>					
<input type="checkbox"/>						<input type="checkbox"/>					
<input type="checkbox"/>						<input type="checkbox"/>					