



ADVANCING  
VENTILATION®

## SMXDK & SMXDK-HT



Direct Drive Mixed Flow Fans

*Advancing Ventilation*

# MODEL SMXDK & SMXDK-HT

## DIRECT DRIVE MIXED FLOW FANS



### MODEL FEATURES

- Rated up to 24,500 CFM in static pressure applications up to 6-1/2" w.g.
- 10 sizes ranging from 9 to 30" effective diameter wheels
- Continuously welded and epoxy coated steel housing
- For indoor/outdoor use
- AMCA Air and Sound Licensed
- cULus Listed

### MODEL OVERVIEW

Model SMXDK mixed flow fans are inline ducted fans that can be used in exhaust, supply, or return air applications. Mixed flow fans act as a hybrid between axial and centrifugal fans. Meaning, they produce a lot of air such as axial fans, but they can handle higher pressures like centrifugal fans. When these technologies come together, the fan ends up being more efficient and quieter than similar tubular centrifugal fans.

S&P is taking efficiency a step further by focusing this design around efficient direct drive motors, which can be paired with AC drives or EC motors to adjust fan speed. The ability to control the speed allows the fan to hit multiple fan selection points similar to how a belt drive fan would be applied. Another couple of advantages with this is the lack of transmission losses associated with belts, and less maintenance.

Mixed flow fans work great in many applications where high efficiency and low sound are a priority. Some of those include: parking garages, commercial buildings, warehouses, food retail centers, and educational buildings.

### CONSTRUCTION SPECIFICATIONS

#### Fan Housing

- Heavy-gauge rolled steel construction
- Integral inlet and outlet flanges with mounting holes
- Standard bolted -wheel inspection door
- Continuously welded and epoxy coated
- 2 year fan housing warranty

#### Mixed Flow Wheel

- Steel wheel for light and heavy duty applications
- Designed using CFD to contour blades for the quietest and most efficient performance possible

#### Motors

- One year motor warranty
- Brands are nationally recognized and locally serviced
- ODP & TEFC motors available
- Single phase and three phase motors available in many voltage applications
- EC motor standard on SMXDKe
- TEFC available on SMXDK-HT

#### Certifications

- AMCA Air and Sound Certified
- cULus 705 Listed
- cULus 793 available

### OPTIONS/ACCESSORIES

#### ECOWATT-DRIVE (AC Drive)

- Set just 4 parameters to get your fan started
- Plug-in options for advanced control
- Dual Safe Torque Off (STO)
- Equipped with the latest energy saving features
- Up to 180% overload for high torque applications
- On board PLC
- Straightforward installation and commissioning
- Easy motor pairing and performance control
- Robust and reliable design

**Disconnect Switch:** Non-fused safety disconnect available for all motor sizes.

**Hanging & Floor Brackets:** For base or ceiling mounting. Neoprene and spring isolators are available.

**Mounting Rails:** Designed for vertical and horizontal mounting. Rail kits include mounting brackets.

**Inlet/Outlet Guard:** Prevents objects from entering the fan inlet or outlet. Includes companion flange.

**Companion Flanges:** Inlet and/or outlet flanges are available for duct connection.

**Industry best 2 year fan housing warranty, 1 year motor warranty**

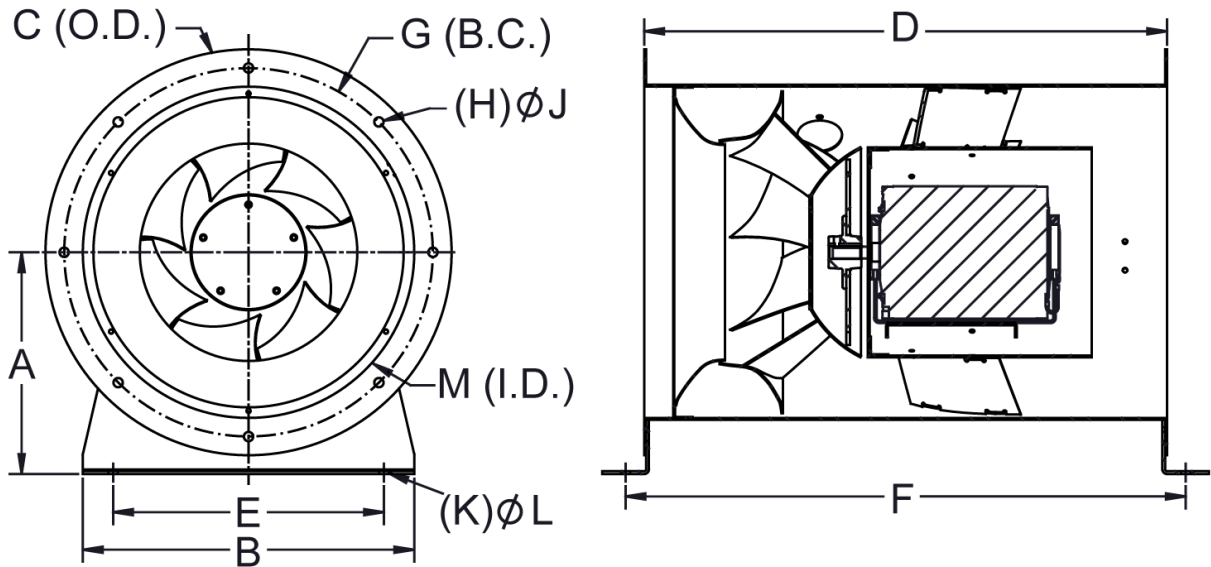
# SMXDK-HT



The SMXDK sizes 15-30 are available as the SMXDK-HT, and they are UL Certified to ventilate heat and smoke in emergencies [500°F (260°C) for 6 hours and 572°F (300°C) for 2 hours].

The SMXDK-HT is equipped with high temperature features such as high temperature wiring and ceramic wire nuts.

## DIMENSIONS



Model	A	B	C	D	E	F	G	H	J	K	L	M	WEIGHT (LB)
09	9- 3/8	14	17- 1/8	22- 1/16	11- 7/16	23- 5/8	15- 9/16	8	3/8	4	3/8	14	88
10	10- 5/16	15- 3/4	18- 7/8	24-13/16	12	26- 3/8	17- 5/16	12	3/8	4	3/8	15- 3/4	106
12	11- 5/16	17-11/16	20- 7/8	24-13/16	14- 3/4	26- 3/8	19- 5/16	12	3/8	4	3/8	17-11/16	121
15	12- 3/8	19-11/16	22-13/16	27-15/16	16- 5/16	29- 7/16	21- 1/4	12	3/8	4	9/16	19-11/16	157
16	13-13/16	22- 1/16	26	31- 1/2	18- 1/8	33	23-13/16	12	3/8	4	9/16	22- 1/16	203
18	15- 3/16	22-13/16	28- 3/4	35- 7/16	20- 7/8	36-15/16	26- 9/16	12	3/8	4	9/16	24-13/16	254
20	17	28- 3/16	31- 7/8	39- 3/8	24- 1/4	40-13/16	29- 3/4	18	1/2	4	5/8	27-15/16	406
22	18- 3/4	31- 1/2	35- 7/16	39- 3/8	24- 1/4	40-13/16	33- 1/4	18	1/2	4	5/8	31- 1/2	472
24	20-11/16	35- 7/16	39- 3/8	43- 5/16	31- 1/2	44- 3/4	37- 3/16	18	1/2	4	5/8	35- 7/16	575
30	22- 3/4	39- 3/8	43- 5/16	49- 3/16	35- 7/16	40-13/16	41- 5/16	24	1/2	4	5/8	39- 3/8	765

\*Weight without motor

# PERFORMANCE

## SMXD09



Motor HP & Nominal Speed		CFM	OV		Static Pressure in Inches w.g.								
					0	1/8	1/4	3/8	1/2	5/8	3/4	7/8	1
SMXDK09 1/4HP 1800 RPM	350	329	RPM	414	646	861	-	-	-	-	-	-	-
			BHP	0.00	0.01	0.03	-	-	-	-	-	-	-
			SONES	0.2	1.9	3.1	-	-	-	-	-	-	-
	435	408	RPM	514	708	883	1055	1209	-	-	-	-	-
			BHP	0.00	0.01	0.03	0.05	0.07	-	-	-	-	-
			SONES	0.9	2.7	3.5	4.6	5.9	-	-	-	-	-
	520	488	RPM	615	783	930	1076	1222	1357	-	-	-	-
			BHP	0.01	0.02	0.03	0.05	0.08	0.10	-	-	-	-
			SONES	1.7	3.3	4.5	5.0	6.2	7.6	-	-	-	-
	605	568	RPM	715	864	993	1118	1245	1371	1491	1604	1709	-
			BHP	0.01	0.02	0.04	0.06	0.08	0.11	0.14	0.17	0.20	-
			SONES	2.5	4.0	5.2	5.9	6.6	7.8	9.2	10.9	12.5	-
	690	648	RPM	815	948	1066	1176	1286	1397	1508	1617	1720	-
			BHP	0.01	0.03	0.05	0.07	0.09	0.12	0.14	0.18	0.21	-
			SONES	3.4	4.7	5.9	7.0	7.5	8.2	9.5	11.0	12.6	-
	775	728	RPM	916	1036	1145	1244	1342	1440	1538	1638	1736	-
			BHP	0.02	0.04	0.06	0.08	0.10	0.13	0.16	0.19	0.22	-
			SONES	4.3	5.5	6.6	7.6	8.7	9.1	10.0	11.3	12.8	-
	860	808	RPM	1016	1125	1226	1319	1408	1496	1584	1672	1762	-
			BHP	0.03	0.05	0.07	0.09	0.11	0.14	0.17	0.20	0.23	-
			SONES	5.2	6.3	7.4	8.4	9.4	10.5	10.9	11.8	13.1	-
	945	887	RPM	1117	1217	1310	1398	1480	1561	1641	1721	-	-
			BHP	0.04	0.06	0.08	0.10	0.13	0.15	0.18	0.21	-	-
			SONES	6.1	7.1	8.2	9.2	10.2	11.3	12.3	12.7	-	-
1030	967	RPM	1217	1309	1396	1479	1557	1632	1705	1779	-	-	
		BHP	0.05	0.07	0.09	0.12	0.14	0.17	0.20	0.23	-	-	
		SONES	7.0	8.0	9.1	10.1	11.1	12.1	13.1	14.0	-	-	
1115	1047	RPM	1318	1403	1485	1562	1637	1707	1776	-	-	-	
		BHP	0.06	0.09	0.11	0.14	0.16	0.19	0.22	-	-	-	
		SONES	8.0	9.0	10.1	11.1	12.1	13.0	14.0	-	-	-	
1200	1127	RPM	1418	1498	1574	1648	1718	1786	-	-	-	-	
		BHP	0.08	0.10	0.13	0.16	0.19	0.22	-	-	-	-	
		SONES	9.1	10.1	11.1	12.1	13.1	14.1	-	-	-	-	
1285	1207	RPM	1519	1593	1665	1734	-	-	-	-	-	-	
		BHP	0.10	0.12	0.15	0.18	-	-	-	-	-	-	
		SONES	10.2	11.2	12.2	13.2	-	-	-	-	-	-	
1370	1286	RPM	1619	1689	1757	-	-	-	-	-	-	-	
		BHP	0.12	0.15	0.18	-	-	-	-	-	-	-	
		SONES	11.4	12.4	13.3	-	-	-	-	-	-	-	



S&P USA Ventilation Systems, LLC certifies that the SMXDK & SMXDKe shown herein is licensed to bear the AMCA seal. The ratings shown are based on tests and procedures performed in accordance with AMCA Publication 211 and AMCA Publication 311 and comply with the requirements of the AMCA Certified Ratings Program.



Performance certified is for installation type D: ducted inlet, ducted outlet. Power rating (BHP) does not include transmission losses. Performance ratings do not include the effects of appurtenances (accessories). The sound ratings shown are loudness values in hemispherical sones at 1.5 m (5 ft) in a hemispherical free field calculated per ANSI/AMCA Standard 301. Values shown are for Installation Type D: ducted inlet, ducted outlet.

**SMXDK10**



Motor HP & Nominal Speed	CFM	OV		Static Pressure in Inches w.g.										
				0	1/8	1/4	3/8	1/2	5/8	3/4	7/8	1	1 1/4	
SMXDK10 1/2HP 1800 RPM	525	388	RPM	428	606	775	-	-	-	-	-	-	-	-
			BHP	0.00	0.02	0.03	-	-	-	-	-	-	-	-
			SONES	0.7	1.9	4.3	-	-	-	-	-	-	-	-
	644	476	RPM	525	671	814	950	1078	-	-	-	-	-	-
			BHP	0.01	0.02	0.04	0.06	0.09	-	-	-	-	-	-
			SONES	1.5	2.5	4.0	6.1	7.9	-	-	-	-	-	-
	763	564	RPM	622	746	868	987	1102	1212	1318	-	-	-	-
			BHP	0.01	0.03	0.05	0.07	0.10	0.12	0.16	-	-	-	-
			SONES	2.4	3.2	4.3	5.9	7.7	9.2	10.4	-	-	-	-
	882	652	RPM	719	827	933	1037	1140	1240	1336	1430	1521	-	-
			BHP	0.02	0.03	0.05	0.08	0.11	0.14	0.17	0.20	0.24	-	-
			SONES	3.4	4.0	4.9	6.2	7.6	9.0	10.4	11.6	12.9	-	-
	1001	740	RPM	816	912	1005	1098	1189	1280	1369	1455	1539	1702	-
			BHP	0.03	0.04	0.07	0.09	0.12	0.15	0.18	0.22	0.26	0.34	-
			SONES	4.4	4.9	5.6	6.8	7.9	8.9	10.2	11.3	12.8	15.5	-
	1120	828	RPM	912	1000	1082	1166	1248	1330	1411	1491	1569	1721	-
			BHP	0.04	0.06	0.08	0.11	0.14	0.17	0.20	0.24	0.28	0.36	-
			SONES	5.4	5.9	6.6	7.4	8.3	9.3	10.3	11.4	12.7	15.5	-
	1239	916	RPM	1009	1090	1163	1239	1314	1389	1463	1536	1609	1751	-
			BHP	0.05	0.07	0.10	0.12	0.15	0.19	0.22	0.26	0.30	0.38	-
			SONES	6.5	7.0	7.5	8.2	9.0	9.9	10.8	11.8	12.8	15.5	-
	1358	1004	RPM	1106	1181	1248	1316	1385	1454	1521	1589	1656	1789	-
			BHP	0.06	0.09	0.12	0.14	0.18	0.21	0.25	0.28	0.32	0.41	-
			SONES	7.6	8.1	8.6	9.1	9.9	10.7	11.5	12.4	13.6	15.9	-
1477	1092	RPM	1203	1273	1335	1397	1460	1524	1586	1649	1711	-	-	
		BHP	0.08	0.11	0.14	0.17	0.20	0.24	0.27	0.31	0.35	-	-	
		SONES	8.7	9.2	9.7	10.3	10.8	11.6	12.4	13.3	14.3	-	-	
1596	1180	RPM	1300	1365	1423	1480	1539	1597	1656	1714	1771	-	-	
		BHP	0.10	0.13	0.16	0.19	0.23	0.27	0.30	0.34	0.39	-	-	
		SONES	10.0	10.5	11.0	11.5	12.0	12.6	13.4	14.3	15.3	-	-	
1715	1268	RPM	1397	1458	1513	1566	1619	1674	1729	1783	-	-	-	
		BHP	0.13	0.16	0.19	0.23	0.26	0.30	0.34	0.38	-	-	-	
		SONES	11.3	11.8	12.3	12.7	13.2	13.7	14.5	15.3	-	-	-	
1834	1356	RPM	1494	1551	1604	1653	1703	1754	-	-	-	-	-	
		BHP	0.16	0.19	0.23	0.26	0.30	0.34	-	-	-	-	-	
		SONES	12.8	13.2	13.6	14.1	14.5	15.0	-	-	-	-	-	
1953	1443	RPM	1591	1645	1695	1742	1788	-	-	-	-	-	-	
		BHP	0.19	0.23	0.26	0.30	0.34	-	-	-	-	-	-	
		SONES	14.2	14.6	15.0	15.5	15.9	-	-	-	-	-	-	
2072	1531	RPM	1688	1739	1787	-	-	-	-	-	-	-	-	
		BHP	0.23	0.27	0.31	-	-	-	-	-	-	-	-	
		SONES	15.7	16.2	16.6	-	-	-	-	-	-	-	-	



S&P USA Ventilation Systems, LLC certifies that the SMXDK & SMXDKe shown herein is licensed to bear the AMCA seal. The ratings shown are based on tests and procedures performed in accordance with AMCA Publication 211 and AMCA Publication 311 and comply with the requirements of the AMCA Certified Ratings Program.



Performance certified is for installation type D: ducted inlet, ducted outlet. Power rating (BHP) does not include transmission losses. Performance ratings do not include the effects of appurtenances (accessories). The sound ratings shown are loudness values in hemispherical sones at 1.5 m (5 ft) in a hemispherical free field calculated per ANSI/AMCA Standard 301. Values shown are for Installation Type D: ducted inlet, ducted outlet.

**SMXDK12**



Motor HP & Nominal Speed		CFM	OV		Static Pressure in Inches w.g.											
					0	1/8	1/4	3/8	1/2	5/8	3/4	7/8	1	1¼	1½	
SMXDK12 3/4HP 1800 RPM	600	350	RPM	341	518	682	-	-	-	-	-	-	-	-	-	-
			BHP	0.00	0.02	0.04	-	-	-	-	-	-	-	-	-	-
			SONES	0.7	3.5	8.0	-	-	-	-	-	-	-	-	-	-
	783	457	RPM	445	585	715	841	959	-	-	-	-	-	-	-	-
			BHP	0.01	0.02	0.05	0.07	0.10	-	-	-	-	-	-	-	
			SONES	1.5	3.8	6.7	10.3	12.9	-	-	-	-	-	-	-	
	966	564	RPM	548	666	772	877	981	1080	1175	1267	-	-	-		
			BHP	0.01	0.03	0.06	0.09	0.12	0.15	0.19	0.23	-	-	-		
			SONES	2.8	4.5	6.5	9.1	12.1	14.6	16.6	18.3	-	-	-		
	1149	671	RPM	652	754	845	933	1022	1110	1195	1278	1359	-	-		
			BHP	0.02	0.05	0.07	0.10	0.14	0.17	0.21	0.26	0.30	-	-		
			SONES	4.1	5.4	7.0	9.0	11.0	13.8	16.1	18.0	19.9	-	-		
	1332	778	RPM	756	845	927	1003	1079	1156	1232	1307	1381	1523	1660		
			BHP	0.04	0.06	0.09	0.12	0.16	0.19	0.24	0.28	0.33	0.43	0.54		
			SONES	5.3	6.5	7.8	9.6	11.4	13.1	15.4	17.4	19.4	23.2	26.7		
	1515	885	RPM	860	940	1013	1082	1148	1216	1283	1350	1417	1548	1675		
			BHP	0.05	0.08	0.11	0.15	0.18	0.22	0.27	0.31	0.36	0.47	0.58		
			SONES	6.6	7.8	9.0	10.5	12.1	13.6	15.1	16.9	19.0	22.9	26.5		
	1698	992	RPM	964	1036	1102	1166	1226	1286	1346	1406	1466	1585	1703		
			BHP	0.08	0.11	0.14	0.18	0.21	0.25	0.30	0.35	0.40	0.51	0.62		
			SONES	8.0	9.2	10.4	11.6	12.9	14.4	15.8	17.3	18.7	22.6	26.3		
	1881	1099	RPM	1068	1134	1194	1253	1309	1363	1417	1471	1525	1634	1742		
			BHP	0.10	0.14	0.17	0.21	0.25	0.30	0.34	0.39	0.44	0.55	0.67		
			SONES	9.7	10.8	11.9	13.0	14.0	15.4	16.7	18.0	19.4	22.4	26.1		
	2064	1206	RPM	1172	1232	1288	1342	1395	1446	1495	1544	1593	1692	1791		
			BHP	0.14	0.18	0.21	0.25	0.30	0.34	0.39	0.44	0.49	0.60	0.72		
			SONES	11.4	12.5	13.5	14.5	15.3	16.4	17.6	18.9	20.3	23.2	26.1		
	2247	1312	RPM	1276	1331	1384	1434	1483	1531	1577	1623	1667	1758	-		
BHP			0.18	0.22	0.26	0.30	0.35	0.40	0.45	0.50	0.55	0.66	-			
SONES			13.2	14.3	15.2	16.0	16.9	17.8	18.7	20.0	21.4	24.2	-			
2430	1419	RPM	1380	1431	1480	1527	1573	1618	1662	1705	1747	-	-			
		BHP	0.23	0.27	0.31	0.36	0.41	0.46	0.51	0.56	0.62	-	-			
		SONES	15.1	16.0	16.8	17.7	18.5	19.3	20.2	21.4	22.7	-	-			
2613	1526	RPM	1484	1532	1578	1622	1665	1707	1749	1790	-	-	-			
		BHP	0.28	0.33	0.37	0.42	0.47	0.53	0.58	0.64	-	-	-			
		SONES	16.9	17.8	18.6	19.4	20.2	21.0	22.1	23.1	-	-	-			
2796	1633	RPM	1587	1633	1676	1718	1758	1798	-	-	-	-	-			
		BHP	0.34	0.39	0.44	0.50	0.55	0.60	-	-	-	-	-			
		SONES	18.8	19.7	20.5	21.3	22.1	23.1	-	-	-	-	-			
2979	1740	RPM	1691	1734	1775	-	-	-	-	-	-	-	-			
		BHP	0.42	0.47	0.52	-	-	-	-	-	-	-	-			
		SONES	20.9	21.7	22.5	-	-	-	-	-	-	-	-			
2980	1741	RPM	1692	1734	1776	-	-	-	-	-	-	-	-			
		BHP	0.42	0.47	0.52	-	-	-	-	-	-	-	-			
		SONES	20.9	21.7	22.5	-	-	-	-	-	-	-	-			



S&P USA Ventilation Systems, LLC certifies that the SMXDK & SMXDKe shown herein is licensed to bear the AMCA seal. The ratings shown are based on tests and procedures performed in accordance with AMCA Publication 211 and AMCA Publication 311 and comply with the requirements of the AMCA Certified Ratings Program.



Performance certified is for installation type D: ducted inlet, ducted outlet. Power rating (BHP) does not include transmission losses. Performance ratings do not include the effects of appurtenances (accessories). The sound ratings shown are loudness values in hemispherical sones at 1.5 m (5 ft) in a hemispherical free field calculated per ANSI/AMCA Standard 301. Values shown are for Installation Type D: ducted inlet, ducted outlet.

**SMXDK15**



Motor HP & Nominal Speed	CFM	OV		Static Pressure in Inches w.g.											
				0	1/8	1/4	3/8	1/2	5/8	3/4	7/8	1	1¼	1½	1¾
SMXDK15 1/2HP 1200 RPM	1000	473	RPM	419	534	647	756	867	-	-	-	-	-	-	-
			BHP	0.01	0.03	0.06	0.09	0.13	-	-	-	-	-	-	-
			SONES	2.8	2.1	3.1	4.3	5.5	-	-	-	-	-	-	-
	1245	589	RPM	522	617	705	796	883	973	1062	1146	-	-	-	-
			BHP	0.02	0.04	0.07	0.11	0.15	0.19	0.24	0.30	-	-	-	-
			SONES	4.1	3.1	3.9	4.8	5.8	7.2	8.7	9.8	-	-	-	-
	1490	705	RPM	624	706	780	854	931	1004	1076	1152	1227	1369	-	-
			BHP	0.04	0.06	0.09	0.13	0.17	0.22	0.27	0.32	0.38	0.51	-	-
			SONES	5.4	4.4	4.8	5.6	6.5	7.7	8.9	9.9	10.9	13.4	-	-
	1735	821	RPM	727	799	864	927	990	1056	1121	1183	1245	1375	1502	1620
			BHP	0.06	0.09	0.12	0.16	0.20	0.25	0.31	0.36	0.42	0.55	0.69	0.83
			SONES	6.9	5.8	5.9	6.6	7.6	8.7	9.5	10.3	11.2	13.5	15.9	18.3
	1980	937	RPM	830	893	952	1008	1063	1118	1175	1234	1289	1398	1511	1624
			BHP	0.08	0.12	0.16	0.20	0.24	0.29	0.35	0.41	0.47	0.59	0.74	0.89
			SONES	8.4	7.5	7.5	8.0	8.9	9.6	10.3	11.1	12.0	13.9	16.1	18.4
	2225	1053	RPM	932	990	1042	1093	1143	1192	1240	1291	1343	1444	1541	1639
			BHP	0.12	0.16	0.20	0.24	0.29	0.34	0.39	0.45	0.52	0.66	0.80	0.95
			SONES	10.0	9.2	9.3	9.6	10.0	10.6	11.3	12.1	13.0	14.8	16.7	18.8
2470	1169	RPM	1035	1087	1136	1182	1227	1272	1316	1360	1404	1497	1589	1676	
		BHP	0.16	0.20	0.25	0.30	0.35	0.40	0.45	0.51	0.58	0.72	0.87	1.03	
		SONES	11.8	11.0	11.0	11.1	11.3	11.8	12.6	13.4	14.2	16.0	17.7	19.6	
2715	1285	RPM	1138	1186	1230	1273	1315	1356	1396	1436	1476	1557	1642	1726	
		BHP	0.22	0.26	0.31	0.36	0.41	0.47	0.53	0.59	0.65	0.79	0.95	1.12	
		SONES	13.5	12.8	12.6	12.8	13.1	13.4	14.1	14.8	15.6	17.2	18.9	20.7	
2960	1401	RPM	1240	1284	1326	1366	1405	1443	1480	1517	1554	1627	1702	-	
		BHP	0.28	0.33	0.38	0.44	0.49	0.55	0.61	0.67	0.74	0.88	1.04	-	
		SONES	15.2	14.6	14.6	14.8	15.1	15.4	15.8	16.4	17.1	18.6	20.3	-	
3205	1517	RPM	1343	1384	1423	1460	1496	1532	1567	1602	1636	1704	-	-	
		BHP	0.36	0.41	0.47	0.52	0.58	0.64	0.71	0.77	0.84	0.99	-	-	
		SONES	17.2	16.7	16.7	16.9	17.2	17.5	17.8	18.1	18.6	20.2	-	-	
3450	1633	RPM	1446	1484	1520	1556	1590	1623	1656	1688	1720	1784	-	-	
		BHP	0.44	0.50	0.56	0.62	0.68	0.75	0.82	0.88	0.96	1.10	-	-	
		SONES	19.2	18.8	18.8	19.0	19.2	19.5	19.8	20.2	20.6	22.1	-	-	
3695	1749	RPM	1548	1584	1619	1652	1684	1715	1746	1777	-	-	-	-	
		BHP	0.54	0.61	0.67	0.74	0.80	0.87	0.94	1.01	-	-	-	-	
		SONES	21.3	21.0	20.9	21.1	21.4	21.7	22.0	22.5	-	-	-	-	
3940	1865	RPM	1651	1685	1717	1749	1779	-	-	-	-	-	-	-	
		BHP	0.66	0.73	0.79	0.86	0.93	-	-	-	-	-	-	-	
		SONES	23.4	23.2	23.1	23.3	23.6	-	-	-	-	-	-	-	
4185	1981	RPM	1754	1785	-	-	-	-	-	-	-	-	-	-	
		BHP	0.79	0.86	-	-	-	-	-	-	-	-	-	-	
		SONES	25.7	25.4	-	-	-	-	-	-	-	-	-	-	

SMXDKe15  
1HP  
1800 RPM

SMXDK15  
1HP  
1800 RPM



S&P USA Ventilation Systems, LLC certifies that the SMXDK & SMXDKe shown herein is licensed to bear the AMCA seal. The ratings shown are based on tests and procedures performed in accordance with AMCA Publication 211 and AMCA Publication 311 and comply with the requirements of the AMCA Certified Ratings Program.



Performance certified is for installation type D: ducted inlet, ducted outlet. Power rating (BHP) does not include transmission losses. Performance ratings do not include the effects of appurtenances (accessories). The sound ratings shown are loudness values in hemispherical sones at 1.5 m (5 ft) in a hemispherical free field calculated per ANSI/AMCA Standard 301. Values shown are for Installation Type D: ducted inlet, ducted outlet.

# SMXDK16



Motor HP & Nominal Speed		CFM	OV		Static Pressure in Inches w.g.										
					0	1/4	3/4	1	1 1/4	1 1/2	1 3/4	2	2 1/4	2 1/2	
SMXDK16 3/4HP 1200 RPM	1500	566	RPM	429	609	937	-	-	-	-	-	-	-	-	-
			BHP	0.02	0.09	0.29	-	-	-	-	-	-	-	-	-
			SONES	2.9	5.9	11.5	-	-	-	-	-	-	-	-	-
	1844	696	RPM	528	674	956	1085	-	-	-	-	-	-	-	-
			BHP	0.04	0.11	0.33	0.47	-	-	-	-	-	-	-	-
			SONES	4.2	7.0	11.8	14.1	-	-	-	-	-	-	-	-
	2188	825	RPM	626	751	995	1109	1220	1326	-	-	-	-	-	-
			BHP	0.06	0.14	0.38	0.53	0.68	0.84	-	-	-	-	-	-
			SONES	5.6	8.3	12.3	14.6	16.8	18.8	-	-	-	-	-	-
	2532	955	RPM	725	836	1045	1149	1249	1346	1440	1532	-	-	-	-
			BHP	0.09	0.19	0.44	0.59	0.75	0.93	1.11	1.30	-	-	-	-
			SONES	7.1	9.6	13.3	15.3	17.4	19.3	21.2	23.1	-	-	-	-
	2876	1085	RPM	823	922	1104	1199	1291	1380	1466	1550	1633	1714	-	-
			BHP	0.14	0.24	0.50	0.67	0.84	1.02	1.21	1.41	1.62	1.84	-	-
			SONES	8.7	10.7	14.6	16.4	18.2	20.0	21.8	23.6	25.4	27.2	-	-
	3220	1215	RPM	922	1011	1173	1257	1341	1424	1504	1582	1658	1734	-	-
			BHP	0.19	0.31	0.58	0.75	0.93	1.13	1.33	1.53	1.75	1.97	-	-
			SONES	10.4	12.5	16.2	17.7	19.3	21.0	22.7	24.4	26.0	27.7	-	-
3564	1344	RPM	1020	1100	1248	1322	1398	1475	1550	1623	1694	1765	-	-	
		BHP	0.26	0.39	0.67	0.84	1.03	1.24	1.45	1.67	1.89	2.13	-	-	
		SONES	12.0	14.1	18.0	19.3	20.7	22.3	23.9	25.4	27.0	28.6	-	-	
3908	1474	RPM	1119	1192	1329	1395	1463	1533	1603	1672	1739	-	-	-	
		BHP	0.34	0.48	0.79	0.96	1.15	1.36	1.58	1.81	2.05	-	-	-	
		SONES	14.2	15.9	19.5	21.1	22.4	23.7	25.2	26.8	28.3	-	-	-	
4252	1604	RPM	1217	1284	1414	1473	1534	1597	1661	1725	1789	-	-	-	
		BHP	0.44	0.59	0.92	1.10	1.29	1.50	1.73	1.97	2.22	-	-	-	
		SONES	16.2	17.8	21.3	22.9	24.2	25.5	26.8	28.2	30.1	-	-	-	
4596	1734	RPM	1316	1377	1500	1555	1610	1667	1726	1785	-	-	-	-	
		BHP	0.56	0.71	1.07	1.26	1.45	1.66	1.89	2.14	-	-	-	-	
		SONES	18.3	19.6	23.0	24.6	26.2	27.3	28.6	29.9	-	-	-	-	
4940	1863	RPM	1414	1472	1587	1640	1691	1742	1796	-	-	-	-	-	
		BHP	0.69	0.86	1.24	1.44	1.64	1.85	2.08	-	-	-	-	-	
		SONES	20.3	21.6	24.9	26.4	28.0	29.4	30.6	-	-	-	-	-	
5284	1993	RPM	1512	1566	1675	1726	1774	-	-	-	-	-	-	-	
		BHP	0.85	1.02	1.43	1.64	1.85	-	-	-	-	-	-	-	
		SONES	22.6	23.7	26.8	28.4	29.9	-	-	-	-	-	-	-	
5628	2123	RPM	1611	1661	1763	-	-	-	-	-	-	-	-	-	
		BHP	1.02	1.21	1.63	-	-	-	-	-	-	-	-	-	
		SONES	24.8	25.9	28.8	-	-	-	-	-	-	-	-	-	
5972	2253	RPM	1709	1757	-	-	-	-	-	-	-	-	-	-	
		BHP	1.22	1.42	-	-	-	-	-	-	-	-	-	-	
		SONES	27.1	28.2	-	-	-	-	-	-	-	-	-	-	

SMXDKe16  
2HP  
1800 RPM

SMXDK16  
2HP  
1800 RPM



S&P USA Ventilation Systems, LLC certifies that the SMXDK & SMXDKe shown herein is licensed to bear the AMCA seal. The ratings shown are based on tests and procedures performed in accordance with AMCA Publication 211 and AMCA Publication 311 and comply with the requirements of the AMCA Certified Ratings Program.



Performance certified is for installation type D: ducted inlet, ducted outlet. Power rating (BHP) does not include transmission losses. Performance ratings do not include the effects of appurtenances (accessories). The sound ratings shown are loudness values in hemispherical sones at 1.5 m (5 ft) in a hemispherical free field calculated per ANSI/AMCA Standard 301. Values shown are for Installation Type D: ducted inlet, ducted outlet.



# SMXDK18

Motor HP & Nominal Speed	CFM	OV		Static Pressure in Inches w.g.														
				0	1/4	1/2	3/4	1	1 1/4	1 1/2	1 3/4	2	2 1/4	2 1/2	2 3/4	3	3 1/4	
SMXDK18 1HP 1200 RPM	1600	477	RPM	329	510	676	-	-	-	-	-	-	-	-	-	-	-	
			BHP	0.01	0.09	0.20	-	-	-	-	-	-	-	-	-	-	-	-
			SONES	1.4	6.6	9.2	-	-	-	-	-	-	-	-	-	-	-	-
	2122	632	RPM	436	578	708	835	954	-	-	-	-	-	-	-	-	-	-
			BHP	0.03	0.12	0.24	0.39	0.55	-	-	-	-	-	-	-	-	-	-
			SONES	3.1	9.2	10.3	12.6	15.2	-	-	-	-	-	-	-	-	-	-
	2644	788	RPM	543	661	767	871	975	1074	1169	-	-	-	-	-	-	-	-
			BHP	0.07	0.17	0.30	0.45	0.63	0.82	1.03	-	-	-	-	-	-	-	-
			SONES	4.8	12.6	12.0	13.6	15.7	17.7	20.0	-	-	-	-	-	-	-	-
	3166	944	RPM	650	752	842	930	1017	1104	1189	1272	1352	1431	-	-	-	-	-
			BHP	0.12	0.24	0.38	0.54	0.71	0.92	1.13	1.36	1.61	1.87	-	-	-	-	-
			SONES	6.6	12.4	15.1	15.4	16.9	18.7	20.6	22.4	24.4	26.4	-	-	-	-	-
	3688	1099	RPM	758	846	926	1003	1078	1152	1228	1302	1375	1447	1516	1585	1653	1719	-
			BHP	0.18	0.33	0.48	0.65	0.83	1.04	1.26	1.51	1.76	2.02	2.30	2.58	2.89	3.20	-
			SONES	8.6	12.9	18.5	18.4	18.9	20.1	21.7	23.4	25.2	26.9	28.6	30.4	32.2	34.2	-
	4210	1255	RPM	865	944	1015	1084	1152	1217	1281	1347	1413	1479	1543	1606	1668	1729	-
			BHP	0.27	0.44	0.60	0.78	0.98	1.19	1.42	1.66	1.93	2.20	2.49	2.79	3.09	3.41	-
			SONES	11.0	14.3	19.2	21.6	21.9	22.4	23.3	24.8	26.3	27.9	29.5	31.1	32.8	34.6	-
	4732	1410	RPM	972	1043	1109	1170	1231	1291	1350	1407	1465	1523	1582	1641	1698	1755	-
			BHP	0.39	0.57	0.76	0.95	1.16	1.38	1.61	1.86	2.12	2.41	2.70	3.01	3.33	3.66	-
			SONES	13.7	16.0	20.1	24.5	25.1	25.4	26.0	26.8	28.0	29.4	30.8	32.3	33.9	35.6	-
	5254	1566	RPM	1079	1144	1204	1261	1315	1370	1425	1478	1530	1581	1633	1686	1739	1792	-
			BHP	0.53	0.73	0.94	1.15	1.36	1.60	1.85	2.11	2.37	2.65	2.95	3.26	3.59	3.93	-
			SONES	16.1	18.3	21.5	25.2	28.7	28.8	29.2	29.8	30.5	31.3	32.6	34.0	35.5	37.0	-
5776	1722	RPM	1186	1245	1301	1354	1405	1454	1504	1554	1603	1650	1697	1744	1792	-	-	
		BHP	0.71	0.93	1.15	1.38	1.61	1.85	2.11	2.38	2.67	2.95	3.25	3.56	3.89	-	-	
		SONES	18.8	20.8	23.3	26.5	30.0	32.3	32.6	33.1	33.7	34.4	35.2	36.2	37.5	-	-	
6298	1877	RPM	1294	1348	1400	1450	1497	1543	1588	1634	1680	1725	1769	-	-	-	-	
		BHP	0.91	1.16	1.40	1.65	1.90	2.15	2.42	2.70	2.99	3.30	3.61	-	-	-	-	
		SONES	21.6	23.5	25.3	28.2	31.3	34.4	36.2	36.5	37.0	37.7	38.4	-	-	-	-	
6820	2033	RPM	1401	1451	1499	1546	1591	1634	1677	1718	1761	-	-	-	-	-	-	
		BHP	1.16	1.42	1.68	1.95	2.22	2.49	2.77	3.06	3.36	-	-	-	-	-	-	
		SONES	24.6	26.2	27.8	30.2	33.0	35.8	38.6	40.2	40.6	-	-	-	-	-	-	
7342	2188	RPM	1508	1555	1600	1644	1687	1728	1767	-	-	-	-	-	-	-	-	
		BHP	1.45	1.73	2.01	2.30	2.58	2.88	3.17	-	-	-	-	-	-	-	-	
		SONES	27.6	29.2	30.7	32.5	35.1	37.7	40.3	-	-	-	-	-	-	-	-	
7864	2344	RPM	1615	1659	1702	1743	1783	-	-	-	-	-	-	-	-	-	-	
		BHP	1.78	2.08	2.38	2.69	2.99	-	-	-	-	-	-	-	-	-	-	
		SONES	30.8	32.4	34.1	35.8	37.6	-	-	-	-	-	-	-	-	-	-	
8386	2500	RPM	1723	1764	-	-	-	-	-	-	-	-	-	-	-	-	-	
		BHP	2.16	2.48	-	-	-	-	-	-	-	-	-	-	-	-	-	
		SONES	34.6	36.3	-	-	-	-	-	-	-	-	-	-	-	-	-	

AMCA  
CERTIFIED  
RATINGS

SOUND  
IN  
PERFORMANCE

AMCA  
AIR  
PERFORMANCE

S&P USA Ventilation Systems, LLC certifies that the SMXDK & SMXDKe shown herein is licensed to bear the AMCA seal. The ratings shown are based on tests and procedures performed in accordance with AMCA Publication 211 and AMCA Publication 311 and comply with the requirements of the AMCA Certified Ratings Program.



Performance certified is for installation type D: ducted inlet, ducted outlet. Power rating (BHP) does not include transmission losses. Performance ratings do not include the effects of appurtenances (accessories). The sound ratings shown are loudness values in hemispherical sones at 1.5 m (5 ft) in a hemispherical free field calculated per ANSI/AMCA Standard 301. Values shown are for Installation Type D: ducted inlet, ducted outlet.

**SMXDK20**



Motor HP & Nominal Speed	CFM	OV		Static Pressure in Inches w.g.												
				0	1/4	1/2	3/4	1	1 1/4	1 3/4	2 1/4	2 3/4	3 1/4	3 3/4	4 1/4	
SMXDK20 2HP 1200 RPM	2200	516	RPM	299	462	603	-	-	-	-	-	-	-	-	-	-
			BHP	0.02	0.12	0.27	-	-	-	-	-	-	-	-	-	-
			SONES	1.7	4.4	7.3	-	-	-	-	-	-	-	-	-	-
	2991	702	RPM	407	530	646	752	849	944	-	-	-	-	-	-	-
			BHP	0.05	0.17	0.34	0.54	0.76	1.00	-	-	-	-	-	-	-
			SONES	3.8	5.7	8.0	10.8	13.9	16.5	-	-	-	-	-	-	-
	3782	887	RPM	515	616	707	798	886	967	1119	-	-	-	-	-	-
			BHP	0.10	0.25	0.43	0.64	0.88	1.14	1.71	-	-	-	-	-	-
			SONES	5.8	7.5	9.5	12.1	14.8	17.0	21.5	-	-	-	-	-	-
	4573	1073	RPM	622	708	786	861	937	1011	1149	1276	1401	-	-	-	-
			BHP	0.18	0.35	0.55	0.78	1.03	1.31	1.92	2.58	3.30	-	-	-	-
			SONES	7.9	9.7	11.9	14.1	16.0	18.0	22.4	27.8	34.2	-	-	-	-
	5364	1259	RPM	730	805	872	937	1001	1066	1193	1312	1423	1529	1636	-	
			BHP	0.29	0.48	0.71	0.95	1.22	1.51	2.15	2.86	3.61	4.41	5.26	-	
			SONES	10.6	12.6	14.6	16.2	17.8	19.4	23.8	29.2	35.1	41.7	48.4	-	
	6155	1444	RPM	838	905	964	1022	1078	1134	1247	1357	1463	1562	1657	1749	
			BHP	0.44	0.66	0.90	1.17	1.45	1.75	2.43	3.17	3.97	4.81	5.69	6.61	
			SONES	13.8	15.5	17.0	18.5	20.0	21.7	25.7	30.9	36.8	43.1	49.4	54.6	
	6946	1630	RPM	945	1006	1060	1112	1163	1212	1311	1411	1509	1605	1696	1782	
			BHP	0.63	0.87	1.14	1.43	1.74	2.06	2.75	3.52	4.36	5.24	6.17	7.13	
			SONES	16.7	18.2	19.5	21.2	22.8	24.6	28.5	33.2	38.8	44.9	51.0	55.5	
	7737	1815	RPM	1053	1109	1158	1204	1251	1297	1385	1475	1564	1653	1740	-	
			BHP	0.87	1.14	1.43	1.73	2.06	2.41	3.14	3.93	4.79	5.71	6.68	-	
			SONES	19.6	21.1	22.7	24.1	25.9	27.8	31.9	36.4	41.6	47.0	52.1	-	
8528	2001	RPM	1161	1212	1258	1300	1343	1385	1467	1547	1628	1710	1790	-		
		BHP	1.16	1.46	1.77	2.10	2.45	2.82	3.59	4.41	5.29	6.24	7.24	-		
		SONES	22.9	24.4	25.9	27.6	29.5	31.6	35.8	40.3	45.1	49.8	53.5	-		
SMXDK20 7-1/2HP 1800 RPM	9319	2187	RPM	1268	1315	1358	1398	1437	1476	1552	1626	1700	1774	-	-	
			BHP	1.51	1.84	2.17	2.53	2.89	3.28	4.11	4.96	5.87	6.84	-	-	
			SONES	26.3	27.8	29.7	31.6	33.6	35.6	40.2	44.7	49.0	52.4	-	-	
	10110	2372	RPM	1376	1420	1460	1498	1534	1569	1641	1710	1778	-	-	-	
			BHP	1.93	2.28	2.65	3.02	3.41	3.81	4.68	5.59	6.53	-	-	-	
			SONES	30.3	32.0	34.1	36.1	38.1	40.4	44.9	48.9	52.2	-	-	-	
	10901	2558	RPM	1484	1524	1563	1598	1632	1665	1732	1797	-	-	-	-	
			BHP	2.42	2.80	3.19	3.59	4.00	4.42	5.33	6.29	-	-	-	-	
			SONES	34.9	36.8	39.0	41.2	43.4	45.5	49.1	52.4	-	-	-	-	
11692	2743	RPM	1591	1629	1665	1700	1732	1763	-	-	-	-	-	-		
		BHP	2.99	3.39	3.81	4.23	4.67	5.11	-	-	-	-	-	-		
		SONES	40.0	42.2	44.5	46.5	48.2	49.7	-	-	-	-	-	-		
12483	2929	RPM	1699	1735	1769	-	-	-	-	-	-	-	-	-		
		BHP	3.64	4.07	4.51	-	-	-	-	-	-	-	-	-		
		SONES	45.6	47.3	49.1	-	-	-	-	-	-	-	-	-		

AMCA  
CERTIFIED  
RATINGS

SOUND  
IN  
AIR  
PERFORMANCE

S&P USA Ventilation Systems, LLC certifies that the SMXDK & SMXDKe shown herein is licensed to bear the AMCA seal. The ratings shown are based on tests and procedures performed in accordance with AMCA Publication 211 and AMCA Publication 311 and comply with the requirements of the AMCA Certified Ratings Program.



Performance certified is for installation type D: ducted inlet, ducted outlet. Power rating (BHP) does not include transmission losses. Performance ratings do not include the effects of appurtenances (accessories). The sound ratings shown are loudness values in hemispherical sones at 1.5 m (5 ft) in a hemispherical free field calculated per ANSI/AMCA Standard 301. Values shown are for Installation Type D: ducted inlet, ducted outlet.

**SMXDK22**



Motor HP & Nominal Speed	CFM	OV		Static Pressure in Inches w.g.											
				1/4	1/2	1	1½	2	2½	3	3½	4	4½	5	
SMXDK22 5HP 1200 RPM	2400	444	RPM	396	-	-	-	-	-	-	-	-	-	-	-
			BHP	0.14	-	-	-	-	-	-	-	-	-	-	-
			SONES	3.2	-	-	-	-	-	-	-	-	-	-	-
	3531	653	RPM	464	566	759	-	-	-	-	-	-	-	-	-
			BHP	0.20	0.40	0.91	-	-	-	-	-	-	-	-	-
			SONES	4.8	6.9	10.6	-	-	-	-	-	-	-	-	-
	4662	862	RPM	553	633	787	934	-	-	-	-	-	-	-	-
			BHP	0.30	0.52	1.06	1.74	-	-	-	-	-	-	-	-
			SONES	7.1	8.4	11.4	16.5	-	-	-	-	-	-	-	-
	5793	1071	RPM	651	717	843	967	1087	1202	-	-	-	-	-	-
			BHP	0.45	0.70	1.28	1.97	2.78	3.67	-	-	-	-	-	-
			SONES	9.3	10.4	13.4	18.0	23.0	26.3	-	-	-	-	-	-
	6924	1280	RPM	754	810	919	1023	1126	1228	1328	1424	1517	-	-	
			BHP	0.66	0.94	1.57	2.30	3.11	4.04	5.04	6.11	7.24	-	-	
			SONES	11.9	13.1	16.6	20.7	24.3	27.2	30.2	33.3	36.4	-	-	
	8055	1489	RPM	859	909	1003	1095	1184	1273	1362	1449	1535	1618	1699	
			BHP	0.94	1.24	1.94	2.71	3.56	4.49	5.51	6.62	7.79	9.01	10.30	
			SONES	15.4	16.9	20.4	24.0	26.4	28.9	31.6	34.3	37.3	40.9	44.5	
	9186	1698	RPM	966	1011	1095	1177	1257	1335	1412	1490	1568	1645	1720	
			BHP	1.29	1.63	2.38	3.21	4.12	5.08	6.11	7.23	8.42	9.68	11.00	
			SONES	19.8	21.4	24.4	26.7	29.0	31.3	33.7	36.1	39.1	42.4	45.7	
	10317	1907	RPM	1074	1115	1191	1265	1337	1408	1478	1547	1616	1686	1755	
			BHP	1.73	2.11	2.92	3.80	4.76	5.78	6.86	7.98	9.18	10.46	11.80	
			SONES	25.0	25.8	27.5	29.6	31.9	34.2	36.4	38.9	41.7	44.7	47.9	
11448	2116	RPM	1183	1220	1290	1358	1423	1489	1553	1616	1678	1741	-		
		BHP	2.27	2.68	3.55	4.50	5.51	6.59	7.72	8.90	10.12	11.40	-		
		SONES	28.5	29.3	30.9	32.8	35.0	37.2	39.9	42.7	45.3	48.0	-		
SMXDK22 15HP 1800 RPM	12579	2325	RPM	1292	1327	1392	1454	1514	1574	1633	1692	1750	-	-	
			BHP	2.92	3.37	4.31	5.31	6.38	7.51	8.70	9.93	11.22	-	-	
			SONES	32.2	33.1	34.8	36.4	38.4	41.0	43.7	46.6	49.6	-	-	
	13710	2534	RPM	1402	1434	1495	1553	1609	1664	1719	1773	-	-	-	
			BHP	3.69	4.17	5.18	6.25	7.38	8.56	9.80	11.09	-	-	-	
			SONES	36.3	37.2	38.7	40.6	42.8	45.3	48.0	50.9	-	-	-	
	14841	2743	RPM	1512	1543	1600	1654	1706	1758	-	-	-	-	-	
			BHP	4.59	5.11	6.19	7.32	8.51	9.75	-	-	-	-	-	
			SONES	40.8	41.8	43.8	45.7	47.7	50.1	-	-	-	-	-	
15972	2952	RPM	1623	1651	1705	1756	-	-	-	-	-	-	-		
		BHP	5.63	6.19	7.34	8.54	-	-	-	-	-	-	-		
		SONES	46.3	47.3	49.3	51.3	-	-	-	-	-	-	-		
17103	3161	RPM	1734	1761	-	-	-	-	-	-	-	-	-		
		BHP	6.82	7.42	-	-	-	-	-	-	-	-	-		
		SONES	52.2	53.3	-	-	-	-	-	-	-	-	-		

AMCA  
WORLDWIDE  
CERTIFIED  
RATINGS

SOUND  
PERFORMANCE

S&P USA Ventilation Systems, LLC certifies that the SMXDK & SMXDKe shown herein is licensed to bear the AMCA seal. The ratings shown are based on tests and procedures performed in accordance with AMCA Publication 211 and AMCA Publication 311 and comply with the requirements of the AMCA Certified Ratings Program.



Performance certified is for installation type D: ducted inlet, ducted outlet. Power rating (BHP) does not include transmission losses. Performance ratings do not include the effects of appurtenances (accessories). The sound ratings shown are loudness values in hemispherical sones at 1.5 m (5 ft) in a hemispherical free field calculated per ANSI/AMCA Standard 301. Values shown are for Installation Type D: ducted inlet, ducted outlet.

# SMXDK24

Motor HP & Nominal Speed	CFM	OV		Static Pressure in Inches w.g.																
				0	1/2	1	1½	2	2½	3	3½	4	4½	5	5½	6	6½			
SMXDK24 7-1/2HP 1200 RPM	4500	657	RPM	315	504	675	-	-	-	-	-	-	-	-	-	-	-	-		
			BHP	0.07	0.50	1.16	-	-	-	-	-	-	-	-	-	-	-	-	-	
			SONES	4.1	7.9	12.7	-	-	-	-	-	-	-	-	-	-	-	-	-	-
	6038	882	RPM	423	569	703	832	-	-	-	-	-	-	-	-	-	-	-	-	
			BHP	0.17	0.68	1.37	2.22	-	-	-	-	-	-	-	-	-	-	-	-	-
			SONES	6.8	9.7	13.7	18.2	-	-	-	-	-	-	-	-	-	-	-	-	-
	7576	1106	RPM	531	651	760	866	971	1071	1167	-	-	-	-	-	-	-	-	-	
			BHP	0.34	0.93	1.68	2.55	3.58	4.72	5.94	-	-	-	-	-	-	-	-	-	-
			SONES	10.3	12.4	15.6	19.5	24.1	29.2	32.9	-	-	-	-	-	-	-	-	-	-
	9114	1331	RPM	639	741	834	923	1011	1100	1186	1269	1350	-	-	-	-	-	-	-	
			BHP	0.58	1.27	2.09	3.02	4.06	5.23	6.51	7.87	9.32	-	-	-	-	-	-	-	-
			SONES	14.0	15.6	18.5	22.0	26.2	30.2	33.7	37.2	40.9	-	-	-	-	-	-	-	-
	10652	1555	RPM	746	836	917	995	1072	1147	1223	1298	1372	1444	1514	1583	1650	-	-	-	-
			BHP	0.93	1.71	2.61	3.62	4.71	5.89	7.19	8.60	10.09	11.66	13.30	15.00	16.77	-	-	-	-
			SONES	17.9	19.6	22.1	25.5	29.2	32.1	35.2	38.5	42.0	45.9	49.9	53.9	58.1	-	-	-	-
	12190	1780	RPM	854	934	1006	1076	1144	1211	1277	1342	1409	1474	1539	1603	1665	1727	-	-	-
			BHP	1.40	2.28	3.25	4.33	5.50	6.75	8.07	9.48	11.00	12.61	14.30	16.05	17.87	19.75	-	-	-
			SONES	22.3	24.0	26.5	29.7	32.1	34.7	37.5	40.5	44.0	47.6	51.3	55.2	59.1	63.2	-	-	-
	13728	2005	RPM	962	1035	1099	1162	1223	1284	1343	1402	1461	1519	1578	1636	1694	1752	-	-	-
			BHP	2.00	2.97	4.04	5.20	6.44	7.76	9.16	10.61	12.13	13.75	15.46	17.25	19.11	21.03	-	-	-
			SONES	27.3	29.3	31.3	33.3	35.6	38.0	40.5	43.6	46.8	50.1	53.6	57.2	61.0	64.8	-	-	-
	15266	2229	RPM	1070	1136	1195	1252	1308	1363	1418	1472	1525	1577	1630	1682	1735	1788	-	-	-
			BHP	2.75	3.83	4.98	6.21	7.54	8.93	10.40	11.93	13.52	15.16	16.87	18.66	20.55	22.50	-	-	-
			SONES	33.2	34.5	35.8	37.4	39.6	41.9	44.6	47.4	50.4	53.6	56.8	60.2	63.7	67.3	-	-	-
16804	2454	RPM	1178	1238	1293	1346	1397	1448	1498	1547	1596	1645	1693	1741	1788	-	-	-		
		BHP	3.67	4.84	6.09	7.41	8.81	10.28	11.82	13.43	15.09	16.81	18.57	20.39	22.28	-	-	-		
		SONES	38.3	39.6	40.9	42.2	44.3	46.8	49.4	52.0	54.8	57.7	60.9	64.0	67.4	-	-	-		
18342	2678	RPM	1285	1341	1393	1442	1489	1536	1582	1628	1674	1719	1763	-	-	-	-	-		
		BHP	4.77	6.05	7.39	8.79	10.27	11.82	13.44	15.12	16.86	18.65	20.49	-	-	-	-	-		
		SONES	44.4	45.7	46.8	48.1	49.8	52.2	54.7	57.3	60.0	62.7	65.6	-	-	-	-	-		
19880	2903	RPM	1393	1445	1494	1539	1583	1627	1670	1713	1755	1797	-	-	-	-	-			
		BHP	6.07	7.45	8.89	10.39	11.95	13.58	15.28	17.03	18.84	20.71	-	-	-	-	-			
		SONES	50.7	51.8	53.0	54.3	56.1	58.1	60.6	63.1	65.8	68.5	-	-	-	-	-			
21418	3128	RPM	1501	1549	1595	1638	1680	1720	1761	-	-	-	-	-	-	-	-			
		BHP	7.59	9.07	10.61	12.20	13.85	15.56	17.33	-	-	-	-	-	-	-	-			
		SONES	57.1	58.4	59.7	61.2	62.9	64.8	67.1	-	-	-	-	-	-	-	-			
22956	3352	RPM	1609	1654	1697	1738	1777	-	-	-	-	-	-	-	-	-				
		BHP	9.34	10.93	12.57	14.25	15.99	-	-	-	-	-	-	-	-	-				
		SONES	64.1	65.6	67.0	68.6	70.5	-	-	-	-	-	-	-	-	-				
24494	3577	RPM	1717	1759	1800	-	-	-	-	-	-	-	-	-	-	-				
		BHP	11.35	13.04	14.78	-	-	-	-	-	-	-	-	-	-	-				
		SONES	72.4	73.9	75.4	-	-	-	-	-	-	-	-	-	-	-				

AMCA  
CERTIFIED  
RATINGS

SOUND  
IN  
AIR  
PERFORMANCE

S&P USA Ventilation Systems, LLC certifies that the SMXDK & SMXDKe shown herein is licensed to bear the AMCA seal. The ratings shown are based on tests and procedures performed in accordance with AMCA Publication 211 and AMCA Publication 311 and comply with the requirements of the AMCA Certified Ratings Program.



Performance certified is for installation type D: ducted inlet, ducted outlet. Power rating (BHP) does not include transmission losses. Performance ratings do not include the effects of appurtenances (accessories). The sound ratings shown are loudness values in hemispherical sones at 1.5 m (5 ft) in a hemispherical free field calculated per ANSI/AMCA Standard 301. Values shown are for Installation Type D: ducted inlet, ducted outlet.

**SMXDK30**



Motor HP & Nominal Speed	CFM	OV		Static Pressure in Inches w.g.									
				0	1/4	1/2	3/4	1	1½	2	2½	3	3½
SMXDK30 10HP 1200 RPM	5000	591	RPM	249	347	437	522	-	-	-	-	-	-
			BHP	0.06	0.28	0.57	0.94	-	-	-	-	-	-
			SONES	5.0	4.6	6.6	9.1	-	-	-	-	-	-
	6422	760	RPM	319	399	472	541	609	-	-	-	-	-
			BHP	0.13	0.39	0.71	1.09	1.53	-	-	-	-	-
			SONES	7.1	6.3	7.9	10.0	11.9	-	-	-	-	-
	7844	928	RPM	390	456	517	577	635	745	851	-	-	-
			BHP	0.23	0.53	0.89	1.30	1.75	2.80	4.01	-	-	-
			SONES	9.4	8.3	9.6	11.3	12.9	17.0	21.4	-	-	-
	9266	1096	RPM	461	517	571	621	672	770	863	954	1042	-
			BHP	0.38	0.72	1.13	1.56	2.05	3.13	4.37	5.76	7.26	-
			SONES	12.1	10.7	11.7	13.0	14.6	18.3	22.2	26.6	32.1	-
	10688	1264	RPM	532	581	628	674	717	805	888	970	1049	1127
			BHP	0.59	0.97	1.41	1.90	2.40	3.54	4.82	6.23	7.77	9.42
			SONES	14.8	13.2	14.1	15.2	16.7	20.2	23.6	27.8	32.7	36.7
	12110	1432	RPM	602	646	687	730	769	846	923	997	1069	1140
			BHP	0.85	1.29	1.75	2.29	2.84	4.02	5.36	6.80	8.37	10.06
			SONES	17.5	16.3	16.8	17.8	19.1	22.2	25.8	29.8	34.4	37.5
	13532	1601	RPM	673	713	750	787	825	894	963	1031	1098	1163
			BHP	1.19	1.67	2.17	2.74	3.36	4.59	5.98	7.49	9.09	10.79
			SONES	20.4	19.7	19.8	20.8	21.9	24.8	28.3	32.6	36.2	39.0
	14954	1769	RPM	744	780	814	847	881	947	1008	1072	1133	-
			BHP	1.61	2.14	2.68	3.27	3.93	5.28	6.69	8.26	9.92	-
			SONES	23.7	23.0	22.9	23.9	25.2	28.1	31.5	35.5	38.4	-
	16376	1937	RPM	814	848	879	909	940	1002	1059	1116	1174	-
			BHP	2.11	2.69	3.28	3.90	4.58	6.05	7.53	9.13	10.85	-
			SONES	26.9	26.4	26.5	27.6	28.7	31.7	35.2	37.9	40.6	-
	17798	2105	RPM	885	916	946	973	1001	1059	1113	1165	-	-
BHP			2.71	3.34	3.98	4.64	5.32	6.89	8.49	10.13	-	-	
SONES			30.4	30.0	30.4	31.5	32.8	35.9	38.2	40.6	-	-	
19220	2273	RPM	956	985	1012	1038	1064	1117	1170	-	-	-	
		BHP	3.41	4.09	4.78	5.48	6.20	7.81	9.56	-	-	-	
		SONES	34.1	33.8	34.9	36.1	37.3	39.3	41.5	-	-	-	
20642	2442	RPM	1027	1054	1080	1104	1128	1176	-	-	-	-	
		BHP	4.23	4.95	5.69	6.44	7.20	8.85	-	-	-	-	
		SONES	38.1	38.5	39.5	40.2	41.0	42.8	-	-	-	-	
22064	2610	RPM	1097	1123	1147	1171	1193	-	-	-	-	-	
		BHP	5.16	5.94	6.73	7.52	8.33	-	-	-	-	-	
		SONES	42.2	42.6	43.3	44.1	44.8	-	-	-	-	-	
23486	2778	RPM	1168	1192	-	-	-	-	-	-	-	-	
		BHP	6.22	7.05	-	-	-	-	-	-	-	-	
		SONES	46.4	46.5	-	-	-	-	-	-	-	-	

AMCA  
CERTIFIED  
RATINGS

SOUND  
PERFORMANCE

S&P USA Ventilation Systems, LLC certifies that the SMXDK & SMXDKe shown herein is licensed to bear the AMCA seal. The ratings shown are based on tests and procedures performed in accordance with AMCA Publication 211 and AMCA Publication 311 and comply with the requirements of the AMCA Certified Ratings Program.



Performance certified is for installation type D: ducted inlet, ducted outlet. Power rating (BHP) does not include transmission losses. Performance ratings do not include the effects of appurtenances (accessories). The sound ratings shown are loudness values in hemispherical sones at 1.5 m (5 ft) in a hemispherical free field calculated per ANSI/AMCA Standard 301. Values shown are for Installation Type D: ducted inlet, ducted outlet.