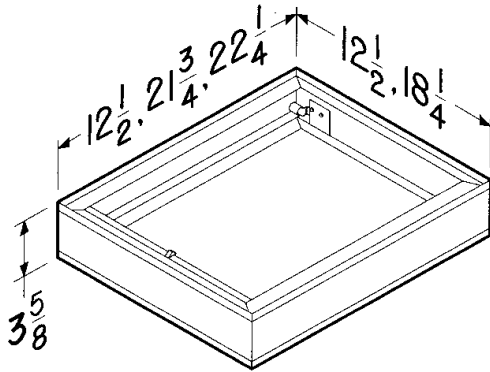
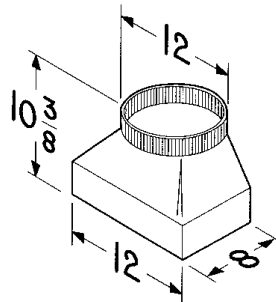
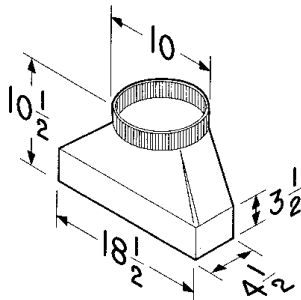


## RADIATION DAMPERS, DUCT TRANSITIONS, METAL GRILLS FOR FF/FFC UNITS



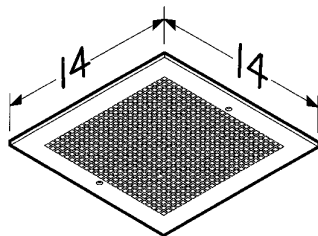
### Models RD1, RD2 & RD3 Radiation Dampers

- UL rated 4-hour ceiling radiation dampers - classified for use in a 4-hour fire-rated ceiling
- Galvanized steel frame
- High temperature, non-asbestos, reinforced fiber thermal fabric
- 165°F fusible link
- Stainless steel negator-type closure spring
- RD1 ( $12\frac{1}{4}$  x  $12\frac{1}{4}$ ) fits FF100 - FF300
- RD2 ( $21\frac{1}{2}$  x  $18$ ) fits FF400 - FF700
- RD3 ( $22$  x  $18$ ) fits FF900 - FF1500



### Models 423 & T81212 Duct Transitions

- Galvanized steel
- Allows for quick transition to easy-to-obtain-and-install round ducting
- 423 ( $4\frac{1}{2}$  x  $18$  to 10 round) for use with FF400 thru FF700
- T81212 ( $8$  x  $12$  to 12" round) for use with FF900 and FF1500



### Model MG 1 Metal Grill Kit

- White enamel painted steel
- Mounting screws included
- Fits FF100, FF150, FF200, FF250 & FF300

Project: _____	Submitted: _____
Customer: _____	Approved: _____
Location: _____	