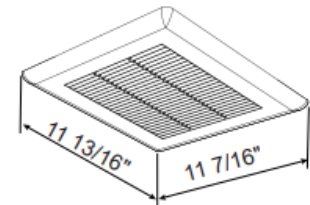
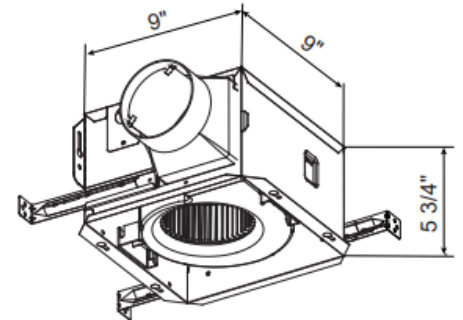




# Premium CHOICE with DC Motor PCD80XHP

## Features

- Built-in high/low two speed operation with Autoflo Technology
- Low speed runs continuously (Adjustable 0, 30 CFM - Max CFM)
- High speed can be activated through the humidity sensor or a manual high speed over-ride switch
- Built-in Sophisticated humidity sensor that responds to: (a) rapid to moderate increases in humidity or (b) humidity above a user-adjustable setpoint (30%-80% relative humidity). Humidity feature can be disabled
- Polymeric forward curved centrifugal blower.
- 26 GA galvanized steel housing construction
- Simplistic and Elegant low profile polymeric grille
- Fixed 20 minute time delay feature
- Detachable 4 inch polymeric collar which includes a light weight built in plastic back draft damper
- Built-in overload disconnect for safety and longer motor life
- Totally enclosed brushless DC motor designed for continuous operation.



## Accessories

- PCVLEDKP - LED Lighted Grille
- PCVRD - Radiation Damper
- PCVLEDKRDP - LED Lighted Radiation



## Performance

HVI CERTIFIED DATA				
PCD80XHP				
	Low Speed		High Speed	
Static Pressure	0.1	0.25	0.1	0.25
CFM	40	36	80	76
Noise (sones)	0.3	1	0.5	1.2
Fan Watts (W)	3.4	5.9	6.1	9.6
RPM	768	1141	883	1187
Efficacy (CFM/W)	16.6	8.7	14.5	9.6
Duct Diameter	4"			
Power Rating (V/Hz)	120 VAC / 60 HZ			

