



MODEL TRLPe 110H

(Energy Recovery Ventilators (ERV) - EC Motor Standard)



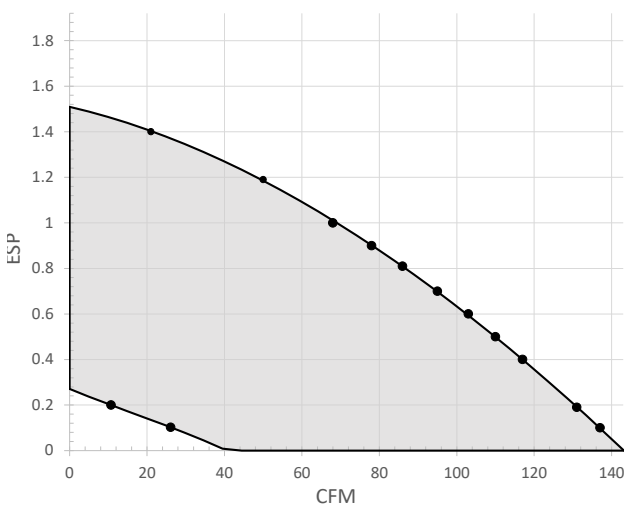
Specifications

Ventilation Type: Static Plate, Heat and Humidity Transfer
Typical Airflow Range: 30-130 CFM
Unit is HVI Tested/Certified per CSA C439
Protocol: Using one L-30-G5 Core
Standard Features: <ul style="list-style-type: none"> • White painted cabinet • Hard wired/no cord • Low-voltage circuit for controls • Unit may be mounted in any orientation • Cross-core differential pressure ports • Dial-A-Flow - balance and airflow adjustment • Variable speed • Boost mode
Controls: Onboard digital controller with independent variable speeds
Filters: QTY 2: MERV 8, spun-polyester media: 7 1/2" x 10 1/2" x 1"
Unit Weight: 35 lbs.
Max. Shipping Dimensions & Weight (in carton): 31 1/4" L x 22 3/8" W x 14 3/8" H 41 lbs.
Motor(s): Qty. 2, 120 VAC EC motorized impeller

EC Operating Range

Airflow (CFM)	External Static Pressure (inches w.g.)	Unit Power Consumption (watts)
Max Speed		
138	0.1	135
131	0.2	134
125	0.3	133
117	0.4	132
110	0.5	131
102	0.6	129
95	0.7	126
87	0.8	123
78	0.9	119
68	1.0	114
49	1.2	102
34	1.4	81
Min. Speed		
26	0.1	11
11	0.2	9

* Airflow performance includes effect of clean standard filter
 * Refer to CORES for specific operating point electrical data.
 * Watts is for the entire unit



Core Performance

Airflow(CFM)	Sensible EFF %	Total EFF% Winter/Summer*
Max Speed		
138	62	54/36
131	64	55/38
125	65	57/40
117	66	59/42
110	68	60/44
102	69	62/46
95	71	64/48
87	72	66/51
78	74	68/53
68	76	70/56
49	79	75/61
34	82	78/66
Min. Speed		
26	84	80/68
11	87	83/72

*These are core only ratings and are not HVI certified. Total EFF% calculated at 35/33wb OA and 70/58wb RA (winter) and 98/78wb OA and 75/63wb RA (summer). HVI ratings apply to complete units only. This unit is HVI certified.

Electrical Data

Watts	Volts	HZ	Phase	FLA per motor	Min. Cir. Amps	Max Overcurrent Protection
53	120	60	1	0.85	10	10



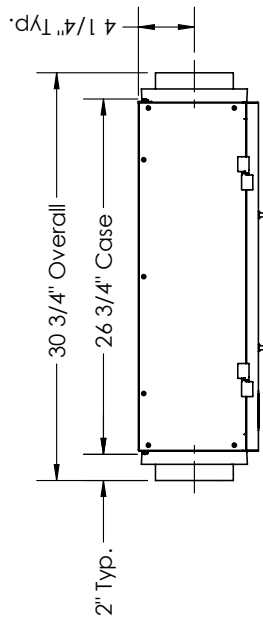
MODEL TRLPe 110H Dimensions

(Energy Recovery Ventilators (ERV) - EC Motor Standard)

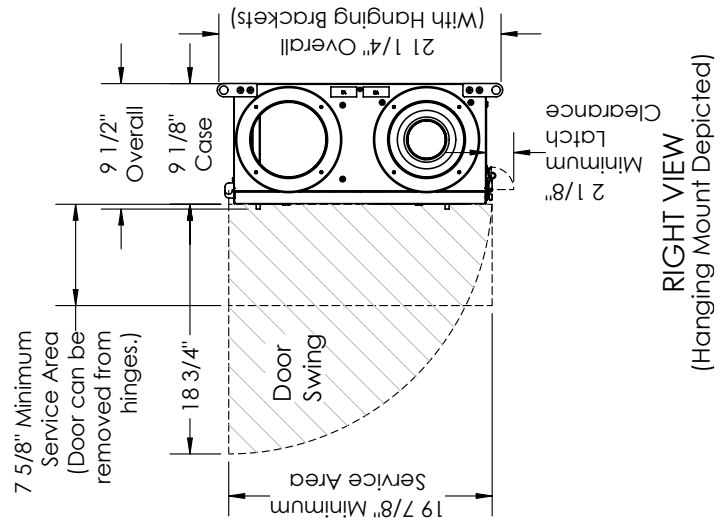
ABBREVIATIONS
 EA: Exhaust Air to Outside
 RA: Room Air to be Exhausted
 SA: Supply/Fresh Air to Inside
 OA: Outside Air Intake

INSTALLATION ORIENTATION
 Unit may be installed in any orientation.

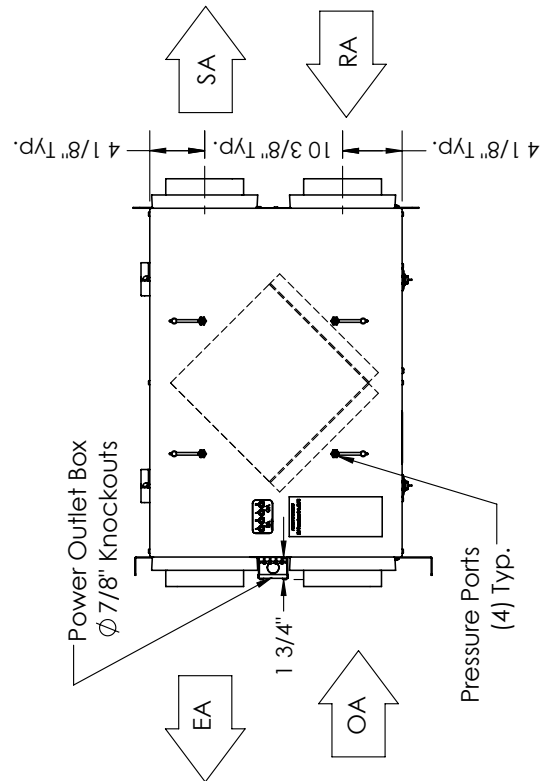
NOTE:
 1. UNLESS OTHERWISE SPECIFIED, DIMENSIONS ARE ROUNDED TO THE NEAREST EIGHTH OF AN INCH.
 2. SPECIFICATIONS MAY BE SUBJECT TO CHANGE WITHOUT NOTICE.



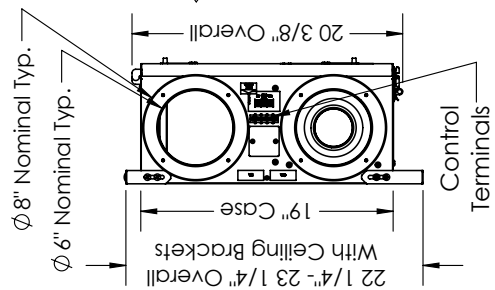
TOP VIEW



RIGHT VIEW
(Hanging Mount Depicted)



FRONT VIEW



LEFT VIEW
(Hard Mount Depicted)