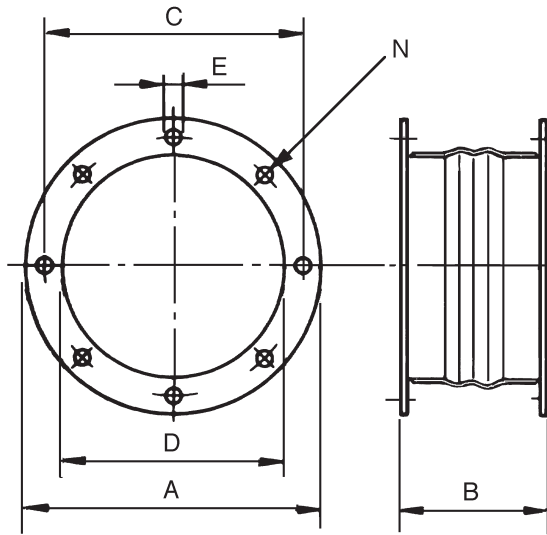




P: 800.961.7370  
www.solerpalau-usa.com

# ACOP - Flange Connector



## Dimensions inches/mm

Model	A	B Max.	B Min.	C	D	E	N (# of Holes)
ACOP-315	15.20 386	8.66 220	4.33 110	13.98 355	12.40 315	0.93 10	8
ACOP-400	19.17 487	9.29 236	4.96 126	17.72 450	15.75 400	0.47 12	8
ACOP-450	21.14 537	9.29 236	4.96 126	19.69 500	17.72 450	0.47 12	8
ACOP-500	23.43 595	9.76 248	5.43 138	22.05 560	19.69 500	0.47 12	12

ACCESSORY MODEL	1	2	3	4	5	REMARKS

Project: _____	Submitted: _____
Customer: _____	Approved: _____
Location: _____	

For more information contact us at [www.solerpalau-usa.com](http://www.solerpalau-usa.com) or 1.800.961.7370 for additional submittal drawings.

Soler & Palau will not be responsible for fabrication changes or errors resulting from customer use of a non-current submittal drawing.

