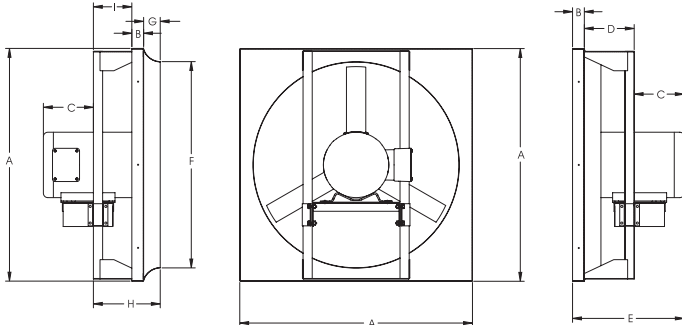


### STANDARD CONSTRUCTION FEATURES

- Galvanized steel G90 panel assembly.
- Welded schedule 40 galvanized pipe support structure.
- Statically and dynamically balanced aluminum blades.
- Precision spun orifice for smooth performance.
- Pre-punched mounting holes for easy installation.
- Permanently lubricated sealed ball bearing motors.
- Unit suitable for all-angle construction.



| DDE/<br>DDS<br>Size | Dimensions (in.) |   |    |    |    |        |   |    |   |    |    |
|---------------------|------------------|---|----|----|----|--------|---|----|---|----|----|
|                     | A                | B | C* | D  | E* | F      | G | H  | I | J  | K  |
| 24                  | 30               | 2 | 11 | 9  | 21 | 25     | 3 | 9  | 4 | 20 | 11 |
| 30                  | 36               | 2 | 11 | 9  | 21 | 31     | 3 | 9  | 4 | 20 | 11 |
| 36                  | 42               | 2 | 11 | 9  | 21 | 37     | 3 | 9  | 4 | 20 | 11 |
| 42                  | 48               | 2 | 11 | 9  | 21 | 43     | 3 | 9  | 4 | 20 | 11 |
| 48                  | 54               | 2 | 12 | 10 | 23 | 49-1/4 | 4 | 10 | 4 | 22 | 12 |
| 54                  | 60               | 2 | 13 | 11 | 25 | 55-1/4 | 5 | 11 | 4 | 24 | 13 |
| 60                  | 66               | 2 | 13 | 11 | 25 | 61-1/4 | 5 | 11 | 4 | 24 | 13 |

- A. Outside dimension of square panel.
- B. Width of flange.
- C. Depth of motor beyond support structure.\*
- D. Depth of support structure - supply.
- E. Depth of fan - supply.\*
- F. Diameter of venturi.
- G. Depth of venturi.
- H. Depth of panel and support structure - exhaust.
- I. Depth of support structure - exhaust.
- J. Depth of fan - exhaust.\*
- K. Depth of panel and support structure - supply.
- \* Varies with motor selection

| FAN SPECIFICATIONS |      |           |     |     |    |         |     |       |    | MOTOR SPECIFICATIONS |       |       |      |  |
|--------------------|------|-----------|-----|-----|----|---------|-----|-------|----|----------------------|-------|-------|------|--|
| Line               | Qty. | Model No. | Tag | CFM | SP | Fan RPM | BHP | Sones | HP | Volts                | Phase | Hertz | Encl |  |
| 1                  |      |           |     |     |    |         |     |       |    |                      |       |       |      |  |
| 2                  |      |           |     |     |    |         |     |       |    |                      |       |       |      |  |
| 3                  |      |           |     |     |    |         |     |       |    |                      |       |       |      |  |
| 4                  |      |           |     |     |    |         |     |       |    |                      |       |       |      |  |
| 5                  |      |           |     |     |    |         |     |       |    |                      |       |       |      |  |

| ACCESSORY ITEMS          | 1 | 2 | 3 | 4 | 5 | ACCESSORY ITEMS          | 1 | 2 | 3 | 4 | 5 |
|--------------------------|---|---|---|---|---|--------------------------|---|---|---|---|---|
| <input type="checkbox"/> |   |   |   |   |   | <input type="checkbox"/> |   |   |   |   |   |
| <input type="checkbox"/> |   |   |   |   |   | <input type="checkbox"/> |   |   |   |   |   |
| <input type="checkbox"/> |   |   |   |   |   | <input type="checkbox"/> |   |   |   |   |   |
| <input type="checkbox"/> |   |   |   |   |   | <input type="checkbox"/> |   |   |   |   |   |
| <input type="checkbox"/> |   |   |   |   |   | <input type="checkbox"/> |   |   |   |   |   |

|                 |                  |
|-----------------|------------------|
| Project: _____  | Submitted: _____ |
| Customer: _____ | Approved: _____  |
| Location: _____ |                  |