



ADVANCING VENTILATION®

THVLS ECO-DIGITAL

7" DIGITAL TOUCH SCREEN MULTI-FAN CONTROLLER

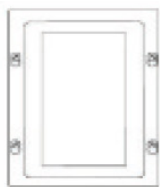
FEATURES:

- Control multiple fans in groups or individually
- 0-100% speed control
- Fully digital interface
- Visual indicators of speed and direction
- Password lockout capability



Power Supply	External 24V(Supplied)	Lumiance	380
Dimensions	4.75" W x 7.125" L x 0.5" D	Fans/Control	Up to 10
Weight	0.5 lb	Rating	IP30
Language Protocol	0-10v signal/CAN	Display Resolution	272x480 px
Touchscreen Size	7"	Connection	4 Core Shielded Wire
Enclosure Material	Steel	Max. Cable Length	1,640 Feet (500 meters)

PACKAGE CONTENTS



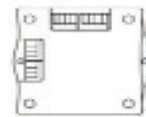
A. TNG Control (x1)



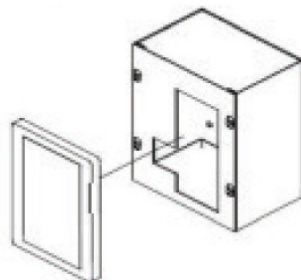
B. Control Cable (x1)



C. Power Supply



D. Pot Board (1 per fan)



¹277V power source is not accepted. ²Estimated values based on typical conditions.



ADVANCING VENTILATION®

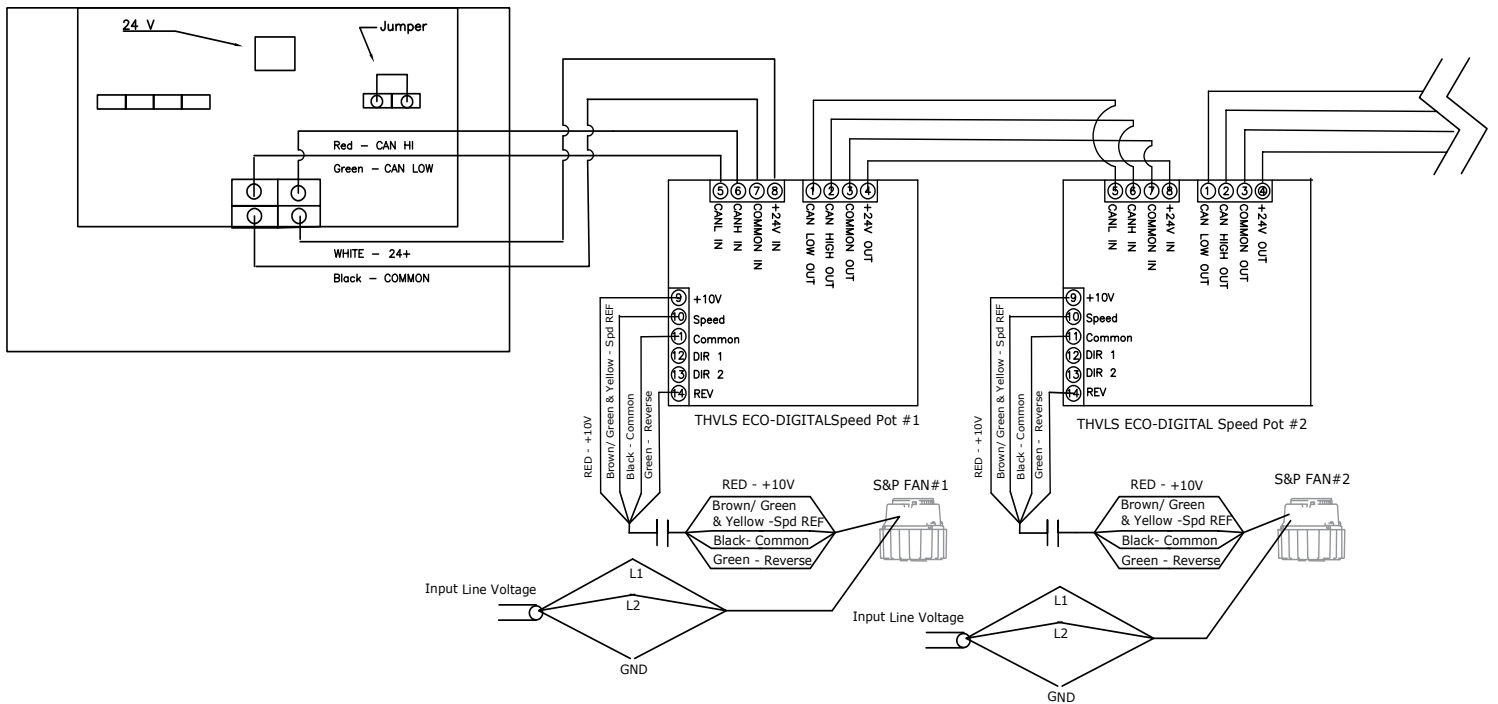
THVLS ECO-DIGITAL

7" DIGITAL TOUCH SCREEN MULTI-FAN CONTROLLER

INTERNAL WIRING DIAGRAMS - DIRECT DRIVES

NOTE: Blue and White wire is required to be capped separately down by the control.

120V/1PH & 230V/1PH





ADVANCING VENTILATION®

THVLS ECO-DIGITAL

7" DIGITAL TOUCH SCREEN MULTI-FAN CONTROLLER

230V/3PH & 460V/3PH

