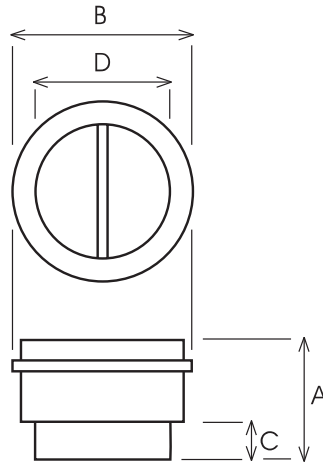




P: 800.961.7370
www.solerpalau-usa.com

MCA - Back Draft Damper

Fits over the TD lip and is mounted on outlet side. The shutter prevents the air re-circulating when the fan(s) are not in use.



Dimensions inches/mm

Model	A	B	C	D
MCA-100	4 ^{3/16} 107	4 ^{3/8} 111	1 ^{1/4} 31	3 ^{11/16} 94
MCA-125	4 ^{3/16} 107	5 ^{3/8} 136	1 ^{1/4} 31	4 ^{11/16} 119
MCA-150	4 ^{3/4} 121	6 ^{7/16} 163	1 ^{3/8} 35	5 ^{13/16} 147
MCA-200	5 ^{3/16} 131	8 ^{7/16} 214	1 ^{3/8} 35	7 ^{3/4} 197
MCA-250	6 ^{3/16} 164	10 ^{3/8} 264	1 ^{5/8} 42	9 ^{3/4} 248
MCA-315	8 ^{1/16} 205	13 330	1 ^{15/16} 50	12 ^{5/16} 312

TD/MCA Cross Reference

Model	Type TD - TDx2 - TDx3 - TWIN
MCA-100	100
MCA-125	125
MCA-150	150
MCA-200	200
MCA-250	250
MCA-315	315

ACCESSORY MODEL	1	2	3	4	5	REMARKS

Project: _____	Submitted: _____
Customer: _____	Approved: _____
Location: _____	

For more information contact us at www.solerpalau-usa.com or 1.800.961.7370 for additional submittal drawings.

Soler & Palau will not be responsible for fabrication changes or errors resulting from customer use of a non-current submittal drawing.

