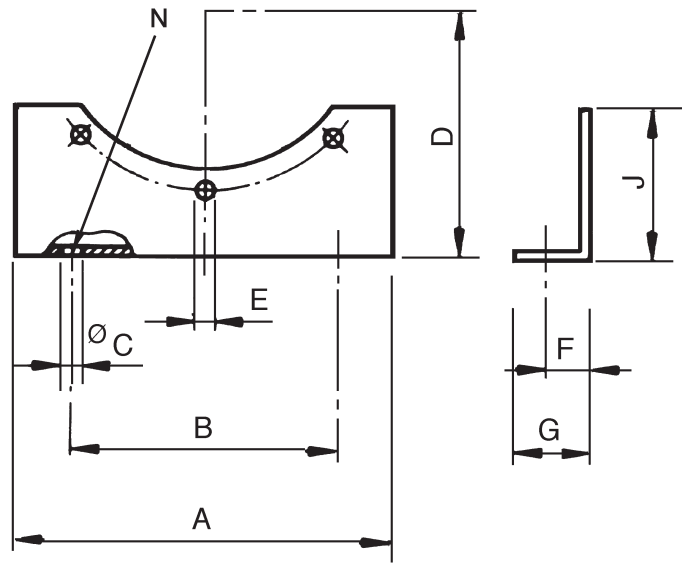




P: 800.961.7370  
www.solerpalau-usa.com

# PIE - Mounting Feet



## Dimensions inches/mm

Model	A	B	C	D	E	F	G	J	N
PIE-315	10.83 275	8.82 224	0.39 10	8.82 224	0.39 10	0.55 14	0.94 24	4.53 115	0.08 2
PIE-400	13.70 348	11.02 280	0.47 12	11.02 280	0.47 12	0.55 14	0.94 24	5.31 135	0.08 2
PIE-450	15.12 384	12.40 315	0.47 12	12.40 315	0.47 12	0.55 14	0.94 24	6.10 155	0.08 2
PIE-500	16.73 425	12.40 315	0.47 12	12.40 315	0.47 12	0.55 14	0.94 24	5.31 135	0.08 2

ACCESSORY MODEL	1	2	3	4	5	REMARKS

Project: _____	Submitted: _____
Customer: _____	Approved: _____
Location: _____	

For more information contact us at [www.solerpalau-usa.com](http://www.solerpalau-usa.com) or 1.800.961.7370 for additional submittal drawings.

Soler & Palau will not be responsible for fabrication changes or errors resulting from customer use of a non-current submittal drawing.

