



MODEL TR130

(Energy Recovery Ventilators -ERV)



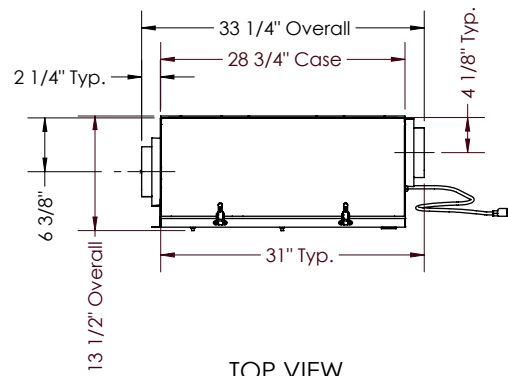
Specifications

Ventilation Type: Static Plate, Heat and Humidity Transfer				
Typical Airflow Range: 50-140 CFM				
Unit may be mounted in any orientation				
Number Motors: One double-shaft motor, 0.1 hp				
V	Hz	Phase	Input Watts	FLA
120	60	Single	102@130CFM	1.3
Control Voltage: 12-14 VAC suitable to power SPTL S&P branded control				
Filters: MERV 8, spun polyester media. 10-1/2" x 10-1/2" x 1"				
Weight: 48 lbs (unit), 60 lbs (in carton)				
Shipping Dimensions: 32" L x 22" W x 18" H				

Unit Performance		Core Performance		
Airflow CFM	ESP in H ₂ O	Temp EFF%	Total EFF% Winter*	Total EFF% Summer*
78	0.6	78	73	59
104	0.5	75	69	54
125	0.4	72	66	50
136	0.3	71	64	48
153	0.2	68	61	45
163	0.1	67	59	42

* Contact Factory for HVI certification report for complete certified rating.
 * HVI ratings apply to complete units only

Dimensions



ABBREVIATIONS
 EA: Exhaust Air to Outside
 RA: Room Air to be Exhausted
 FA: Fresh Air to Inside
 OA: Outside Air Intake

INSTALLATION ORIENTATION
 Unit may be installed in any orientation.
 RA/EA airstream can be switched with OA/FA airstream.

NOTE:
 1. UNLESS OTHERWISE SPECIFIED, DIMENSIONS ARE ROUNDED TO THE NEAREST EIGHTH OF AN INCH.
 2. SPECIFICATIONS MAY BE SUBJECT TO CHANGE WITHOUT NOTICE.

