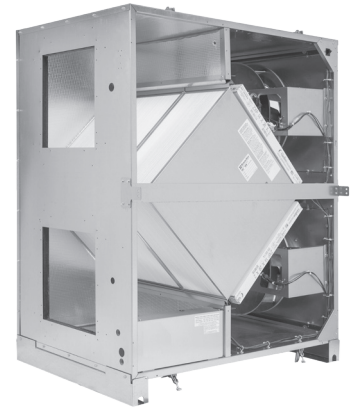




MODEL TRC1200

(Energy Recovery Ventilators - ERV)



Specifications

Ventilation Type: Static Plate, Heat and Humidity Transfer					
Typical Airflow Range: 375-1575 CFM					
AHRI 1060 Certified Cores: One L62-G5 and one L125-G5					
Number Motors: Qty 2, 1.0 HP e.a., direct drive blower/motor packages					
V	Hz	Phase	FLA	Min. Cir. Amps	Max. Overcurrent Protection Device
120	60	Single	6.5	14.6	20
208-230	60	Single	3.3-3.4	7.7	15
208-230	60	Three	2.2-2.2	5.0	15
460	60	Three	1.1	2.5	15
Standard Features: Non-Fused Disconnect 24 VAC Transformer/Relay Package Cross-core differential pressure ports					
Filters: Four total, MERV 8 pleated, (2) 14" x 20" x 2" and (2) 16" X 20" X 2" nominal size					
Weight: 337 lbs (Unit), 403 lbs.(Shipping)					
Shipping Dimensions (on pallet): 70" L x 47" W x 53" H					

Airflow Performance

Motor HP Phase	External Static Pressure (Inches Water Column)						
	0.0	0.25	0.50	0.75	1.00	1.25	1.50
1.0 Single Phase	1,575 CFM	1,470 CFM	1,350 CFM	1,225 CFM	1,090 CFM	950 CFM	795 CFM
	1,545 Watts	1,525 Watts	1,500 Watts	1,475 Watts	1,435 Watts	1,380 Watts	1,300 Watts
1.0 Three Phase	1,675 CFM	1,575 CFM	1,435 CFM	1,280 CFM	1,115 CFM	940 CFM	760 CFM
	1,410 Watts	1,400 Watts	1,380 Watts	1,340 Watts	1,280 Watts	1,210 Watts	1,135 Watts

NOTE: Watts is for the entire unit (2 motors).

NOTE: Airflow performance includes effect of clean, standard filter supplied with unit.

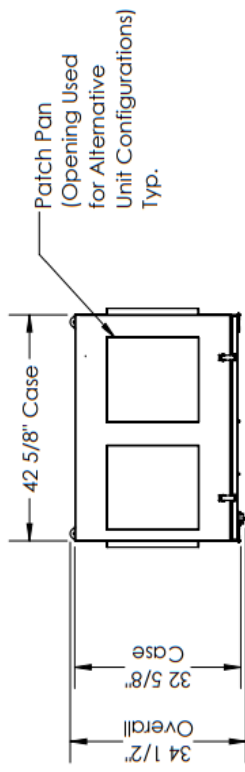
Dimensions

MODEL TRC1200

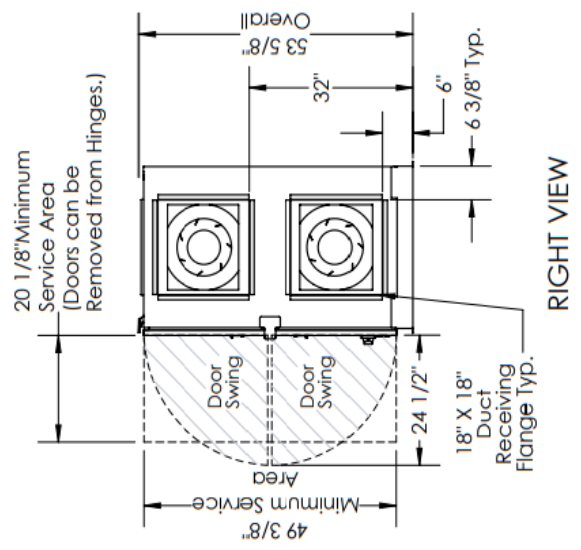
ABBREVIATIONS
 EA: Exhaust Air to Outside
 RA: Room Air to be Exhausted
 FA: Fresh Air to Inside
 OA: Outside Air Intake

INSTALLATION ORIENTATION
 Unit may be installed in any orientation.
 RA/EA airstream can be switched with OA/FA airstream.

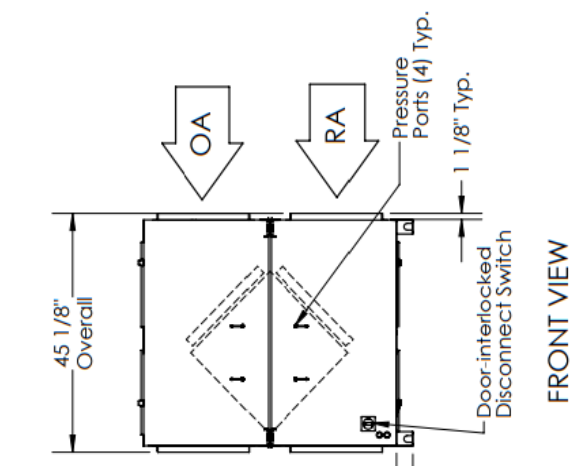
NOTE:
 1. UNLESS OTHERWISE SPECIFIED, DIMENSIONS ARE ROUNDED TO THE NEAREST EIGHTH OF AN INCH.
 2. SPECIFICATIONS MAY BE SUBJECT TO CHANGE WITHOUT NOTICE.



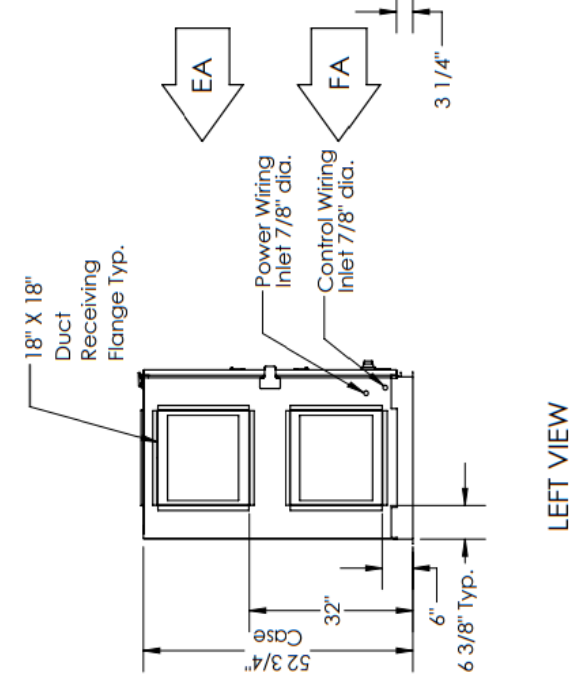
TOP VIEW



RIGHT VIEW



FRONT VIEW



LEFT VIEW

All specifications are subject to change without notice unless approved in submittal by S&P.
 TRC1200_Submittal_v1_012022