



MODEL TRC500

(Energy Recovery Ventilators- ERV)



Specifications

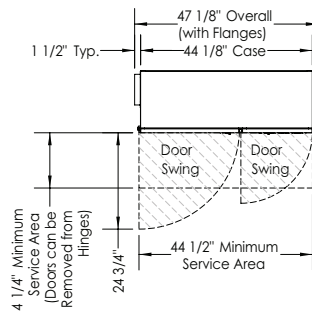
Ventilation Type: Static Plate, Heat and Humidity Transfer					
Typical Airflow Range: 200-540 CFM					
AHRI 1060 Certified Core: One L85-G5					
Motors: One, 0.6 hp (Single Phase)					
V	Hz	Phase	FLA	Min. Cir. Amps	Max. Overcurrent Protection Device
115	60	Single	7.2	9.0	15
208-230	60	Single	3.9-3.6	4.9	15
Standard Features: Non-Fused Disconnect 24 VAC Transformer/Relay Package Cross-core differential pressure ports					
Filters: Two total, MERV 8, pleated, 14" x 20" x 2" nominal size					
Weight: 137 lbs (unit), 250 lbs (ship weight)					
Shipping Dimensions: 62" L x 42" W x 22" H					

Unit Performance

Airflow CFM	ESP in H ₂ O	Watts
225	1.25	335
375	0.89	464
420	0.75	518
480	0.5	584
500	0.43	600
540	0.25	640
575	0	690

Note: Airflow performance includes effect of clean, standard filter supplied with unit.

Dimensions



TOP VIEW

ABBREVIATIONS

EA: Exhaust Air to Outside
RA: Room Air to be Exhausted
FA: Fresh Air to Inside
OA: Outside Air Intake

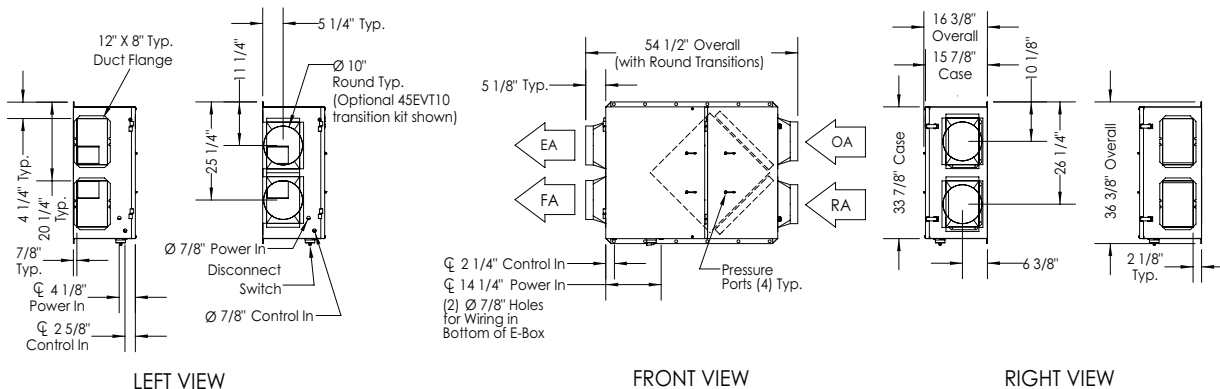
INSTALLATION ORIENTATION

Unit may be installed in any orientation.
RA/EA airstream can be switched with OA/FA airstream.

NOTE:

1. UNLESS OTHERWISE SPECIFIED, DIMENSIONS ARE ROUNDED TO THE NEAREST EIGHTH OF AN INCH.

2. SPECIFICATIONS MAY BE SUBJECT TO CHANGE WITHOUT NOTICE.



LEFT VIEW

FRONT VIEW

RIGHT VIEW

All specifications are subject to change without notice unless approved in submittal by S&P.
TRC500_Submittal_v1_012022

