



# TRCeN 800V-230

TRCeN800-230, TRCeN800V-230

## ENERGY RECOVERY VENTILATOR EC MOTOR



### INDOOR UNIT



### SPECIFICATIONS

**Ventilation Type:** Static plate, heat and humidity transfer

**Airflow Range:** 250–1,100 CFM

**AHRI 1060 Certified Core:** One L85-G5

**Standard Features:**

- Non-fused disconnect
- 24VAC transformer/relay package
- Cross-core differential pressure ports
- Independent blower control

**Filters:** Total Qty. 2, MERV 8: 14" x 20" x 2"

**Unit Weight:** 204 lbs.

**Max. Shipping Dimensions & Weight (on pallet):**

60" L x 30" W x 55 1/4" H  
250 lbs.

**Motor(s):**

Qty. 2, 370W ea., Direct drive EC motorized  
impeller packages (208–230V/1Ph/60Hz)

**Optional Electrical Accessories:**

- STC7D-W: Digital Time Clock (wall mount)
- SMC-C: Motion Occupancy Control (ceiling mount)
- SMC-W: Motion Occupancy Control (wall mount)
- SCO2-W: CO2 Control (wall mount)

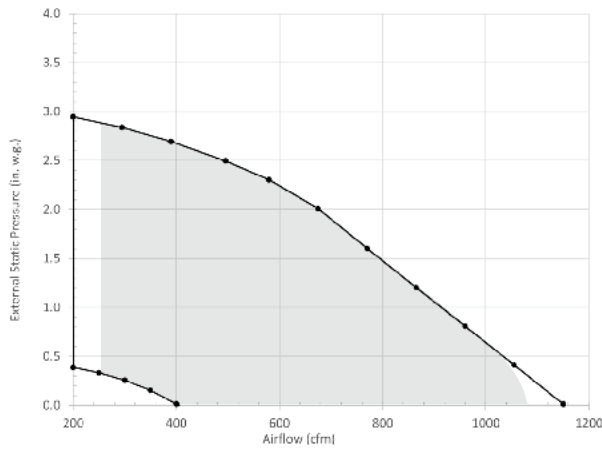
**Optional TRCeN General Accessories:**

- 147594: Bracket Hanging Kit
- 147596: Vibration Isolator, Hanging, 70 lbs.
- 147597: Vibration Isolator, Hanging, 85 lbs.
- 147599: TRCeN500 Flange Kit Rect 12" x 12"
- 147600: Flange Kit Rect 14" x 14"
- 990083: MERV8 20" x 20" x 2" filter (single)
- 990084: MERV8 20" x 20" x 2" filter (case of 12)
- 990303: MERV13 20" x 20" x 2" filter (single)
- BD12: 12" Backdraft Damper
- FA12-G: 12" Galvanized Wall Cap
- FA12-P: 12" Galvanneal Wall Cap
- VW12X12-G: Louver, 10" Round Duct Connection

Energy recovery core is AHRI Certified®



### EC MOTOR OPERATING RANGE AND FAN PERFORMANCE



Airflow (CFM)	External Static Pressure (Inches Water Column)	Unit Power Consumption (Watts)
200	2.95	571
295	2.84	658
390	2.69	737
495	2.50	813
580	2.30	864
675	2.01	900
770	1.60	900
865	1.20	900
960	0.81	900
1055	0.41	900
1150	0.01	900

Note: Airflow performance includes effect of clean, standard filter supplied with unit.

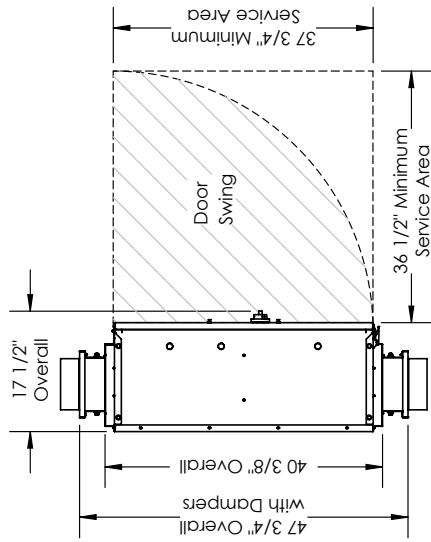
Recommend Operating Range

### ELECTRICAL DATA

Max. Unit Watts/HP	Volts	Hz	Phase	Motor Full Load Amperage (FLA) per Motor	Min. Circuit Ampacity	Max. Overcurrent Protection Device
370	208–230	60	Single	1.73	3.9	15



**TRCeN800V-230** ENERGY RECOVERY VENTILATOR EC MOTOR



**ABBREVIATIONS**

- EA: Exhaust Air to Outside
- OA: Outside Air Intake
- RA: Room Air to be Exhausted
- SA: Supply Air to Inside

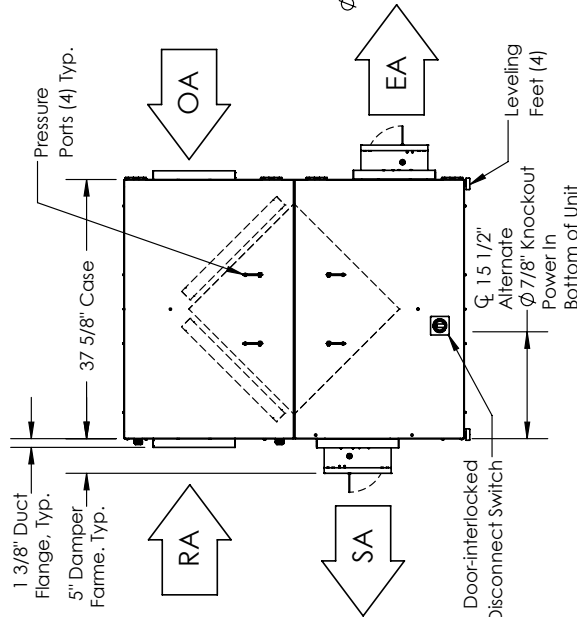
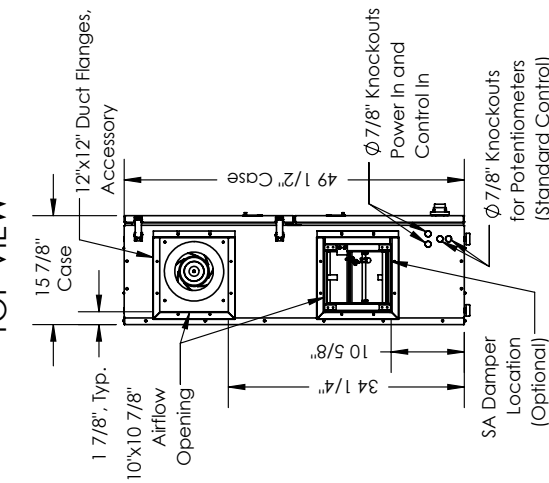
**INSTALLATION ORIENTATION**

Unit may be installed in any orientation.

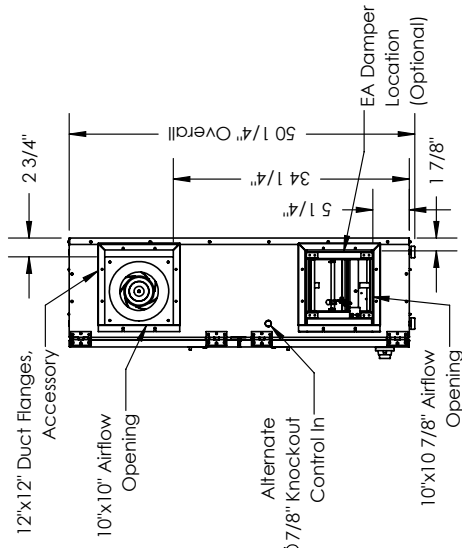
**NOTE**

1. UNLESS OTHERWISE SPECIFIED, DIMENSIONS ARE ROUNDED TO THE NEAREST EIGHTH OF AN INCH.
2. SPECIFICATIONS MAY BE SUBJECT TO CHANGE WITHOUT NOTICE.

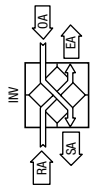
**TOP VIEW**



**LEFT VIEW**



**RIGHT VIEW**



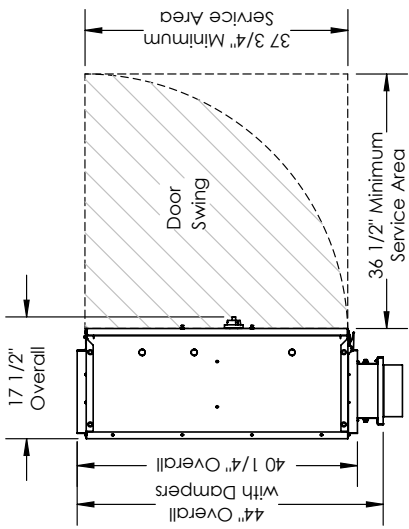
**AIRFLOW ORIENTATION**

Available as shown:

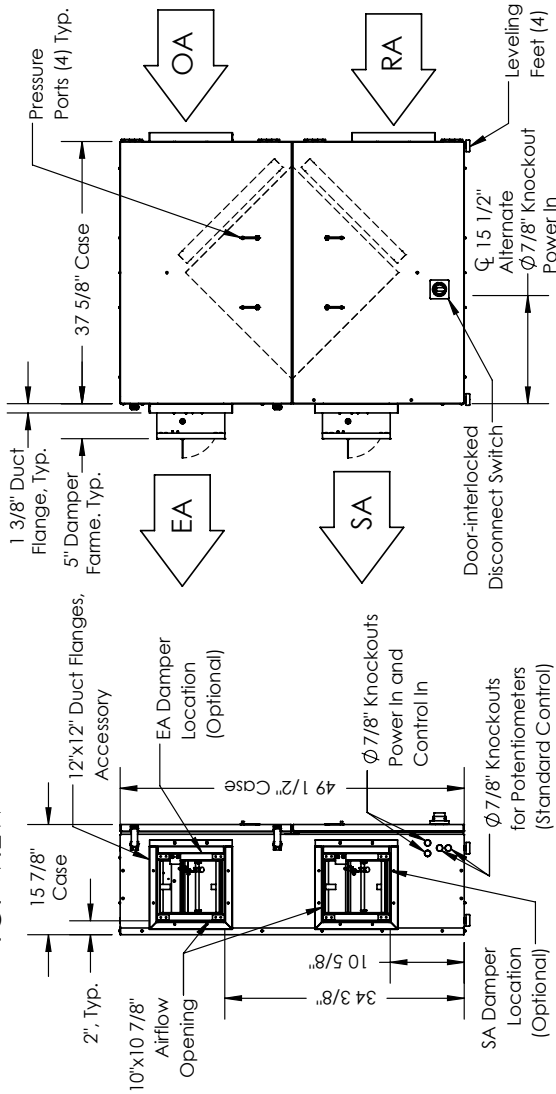


**UNIT MOUNTING & APPLICATION**  
Can be mounted in any orientation. RA/EA airstream can be switched with OA/SA airstream unless certain options are selected.

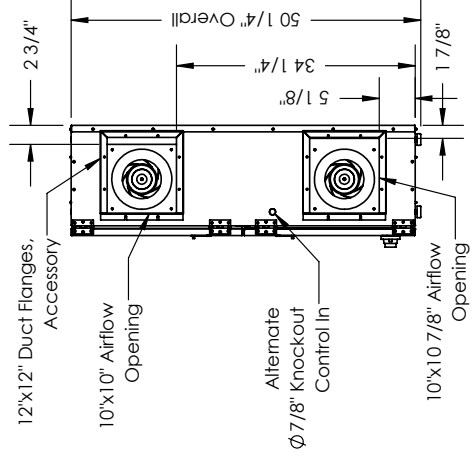
# TRCeN800-230 ENERGY RECOVERY VENTILATOR EC MOTOR



TOP VIEW



LEFT VIEW

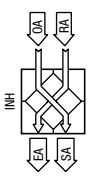


RIGHT VIEW

**ABBREVIATIONS**  
 EA: Exhaust Air to Outside  
 OA: Outside Air Intake  
 RA: Room Air to be Exhausted  
 SA: Supply Air to Inside

**INSTALLATION ORIENTATION**  
 Unit may be installed in any orientation.

**NOTE**  
 1. UNLESS OTHERWISE SPECIFIED, DIMENSIONS ARE ROUNDED TO THE NEAREST EIGHTH OF AN INCH.  
 2. SPECIFICATIONS MAY BE SUBJECT TO CHANGE WITHOUT NOTICE.



**AIRFLOW ORIENTATION**  
 Available as shown:



**UNIT MOUNTING & APPLICATION**  
 Can be mounted in any orientation. RA/EA airstream can be switched with OA/SA airstream unless certain options are selected.