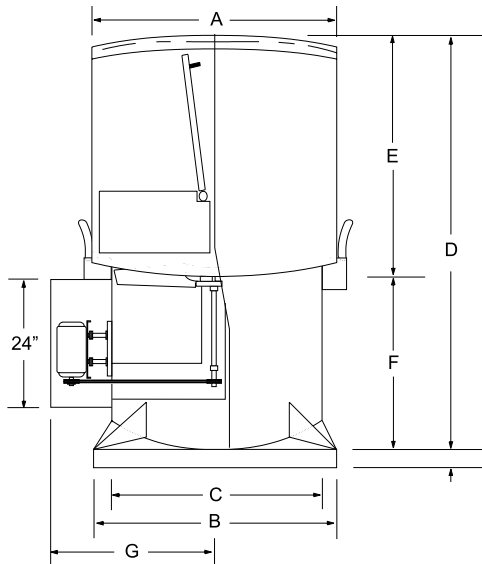


MODEL TUB BELT DRIVEN TUBEAXIAL UPBLAST POWER ROOF EXHAUSTER

JencoFan

6393 Powers Avenue
Jacksonville, Florida 32217-2298
P: 904.731.4711 / F: 904.737.8322
www.Jencofan.com

Soler&Palau
Ventilation Group



STANDARD FEATURES

- Heavy-gauge welded galvanized construction.
- Statically and dynamically balanced propeller.
- Variable pitch drive (thru 3HP).
- Drives sized for 150% of motor HP.
- 1 year fan & motor warranty.
- Motor & drives out of the airstream.
- 200,000 hour pillow block ball bearings.
- Butterfly damper doors.
- Factory run and tested.
- Integral lifting lugs.

| SIZE | A | B sq. | C sq. | D | E | F | G (Max.) | METAL GAUGES | | |
|------|----|-------|--------|--------|----|--------|----------|--------------|-------------|----------|
| | | | | | | | | FAN HOUSING | WIND SHROUD | CURB CAP |
| 24 | 30 | 35 | 25-1/8 | 55-1/2 | 25 | 30-1/2 | 37 | 12 | 18 | 14 |
| 30 | 36 | 41 | 31-1/8 | 58-1/2 | 28 | 30-1/2 | 40 | 12 | 18 | 14 |
| 36 | 42 | 47 | 37-1/8 | 60-1/2 | 30 | 30-1/2 | 43 | 12 | 18 | 14 |
| 42 | 48 | 53 | 43-1/8 | 65-1/2 | 33 | 32-1/2 | 46 | 12 | 18 | 14 |
| 48 | 54 | 59 | 49-1/8 | 68-1/2 | 36 | 32-1/2 | 49 | 10 | 18 | 14 |
| 54 | 60 | 65 | 55-1/8 | 71-1/2 | 39 | 32-1/2 | 52 | 10 | 18 | 14 |
| 60 | 66 | 71 | 61-1/8 | 74-1/2 | 42 | 32-1/2 | 55 | 10 | 18 | 10 |

| FAN SPECIFICATIONS | | | | | | | | | MOTOR SPECIFICATIONS | | | | |
|--------------------|------|-----------|-----|-----|----|---------|-----|-------|----------------------|-------|-------|-------|------|
| Line | Qty. | Model No. | Tag | CFM | SP | Fan RPM | BHP | Sones | HP | Volts | Phase | Hertz | Encl |
| 1 | | | | | | | | | | | | | |
| 2 | | | | | | | | | | | | | |
| 3 | | | | | | | | | | | | | |
| 4 | | | | | | | | | | | | | |
| 5 | | | | | | | | | | | | | |

| ACCESSORY ITEMS | 1 | 2 | 3 | 4 | 5 | ACCESSORY ITEMS | 1 | 2 | 3 | 4 | 5 |
|--------------------------|---|---|---|---|---|--------------------------|---|---|---|---|---|
| <input type="checkbox"/> | | | | | | <input type="checkbox"/> | | | | | |
| <input type="checkbox"/> | | | | | | <input type="checkbox"/> | | | | | |
| <input type="checkbox"/> | | | | | | <input type="checkbox"/> | | | | | |
| <input type="checkbox"/> | | | | | | <input type="checkbox"/> | | | | | |
| <input type="checkbox"/> | | | | | | <input type="checkbox"/> | | | | | |

Project: _____ Submitted: _____
 Customer: _____ Approved: _____
 Location: _____