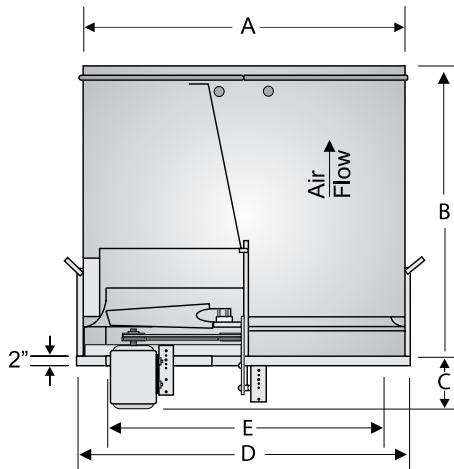


MODEL UBB BELT DRIVE UPBLAST PROPELLER POWER ROOF VENTILATOR

JencoFan

6393 Powers Avenue
Jacksonville, Florida 32217-2298
P: 904.731.4711 / F: 904.737.8322
www.Jencofan.com

Soler&Palau
Ventilation Group



Model UBB	A O.D. Windband	B (6) Height	C (5, 6) (Max.)	D I.D. Curb Cap	E Min. I.D. Opening	Std. Prefab Curb O.D.	Metal Guages (1)			Avg. Wt.
							Windband	Curb Cap	Fan Panel	
24	30	33	16	32 x 32	24 x 24	31 x 31	18	16	16	310
30	36	36	17	38 x 38	30 x 30	37 x 37	18	16	16	340
36	42	38	17	44 x 44	36 x 36	43 x 43	18	16	16	430
42	48	41	18	50 x 50	42 x 42	49 x 49	18	16	16	490
48	54	44	22	56 x 56	48 x 48	55 x 55	18	14	16	640
54	60	47	22	62 x 62	54 x 54	61 x 61	18	14	14	840
60	66	50	22	68 x 68	60 x 60	67 x 67	18	14	14	1000
72	80	56	31	82 x 82	72 x 72	81 x 81	18	12	10	1550

- (1) All materials are G90 galvanized steel.
- (2) Translucent fiberglass damper doors are standard on 48", 54", 60" and 72". (Available as an accessory on all other sizes.)
- (3) Propellers are available in 2, 3, 4 & 6 bladed, adjustable-pitch airfoil aluminum. (Fixed pitch, carbon steel or aluminum are also available.)
- (4) AMCA certified performance data is shown in bulletin UB0107
- (5) Curb caps are modified so that motors do not extend below top of curb.

FAN SPECIFICATIONS									MOTOR SPECIFICATIONS				
Line	Qty.	Model No.	Tag	CFM	SP	Fan RPM	BHP	Sones	HP	Volts	Phase	Hertz	Encl
1													
2													
3													
4													
5													

ACCESSORY ITEMS	1	2	3	4	5	ACCESSORY ITEMS	1	2	3	4	5
<input type="checkbox"/>						<input type="checkbox"/>					
<input type="checkbox"/>						<input type="checkbox"/>					
<input type="checkbox"/>						<input type="checkbox"/>					
<input type="checkbox"/>						<input type="checkbox"/>					
<input type="checkbox"/>						<input type="checkbox"/>					

Project: _____ Submitted: _____
 Customer: _____ Approved: _____
 Location: _____